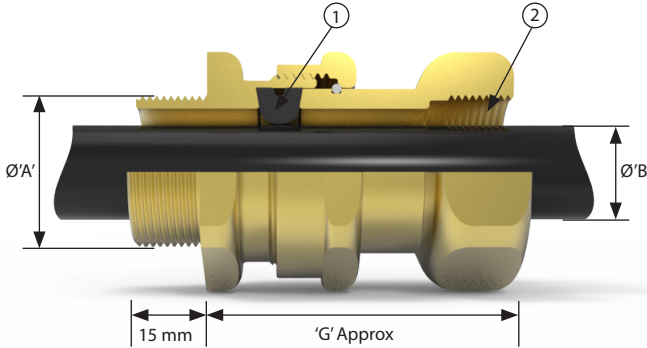




501/414

Flameproof, Increased Safety, Dust Protection
Class - Zones
Certified ATEX / IECEx / c CSA us



- 1 Elastomeric Exd flameproof seal on cable inner sheath
- 2 Female running coupler for cable gland or conduit entry

International Approvals



The Dual certified Exe/Exd 501/414 cable gland offers a female running coupler and a seal onto the cable outer sheath for use with non-armoured elastomer and plastic insulated cables installed in conduit. May also be used with braided cables under certain conditions - See technical section for installation rules and regulations.

Cable Gland Selection Table

Size Ref.	Entry Thread Size 'A'				Cable Acceptance Details					'G'	Hexagon Dimensions	
	Male		Female		Outer Sheath 'B'						Across Flats	Across Corners
	Metric	NPT* Standard	Metric	NPT# Standard	Standard Seal		Alternative Seal					
				Min	Max	Min	Max	Max				
Os	M20 ²	½"	M20 ²	½"	3.2	8.0	-	-	-	54.5	24.0	26.5
O	M20 ²	½"	M20 ²	½"	6.5	11.9	-	-	-	54.5	24.0	26.5
A	M20	¾" or ½"	M20	¾" or ½"	10.0	14.3	9.0	13.4	-	56.4	30.0	32.5
B	M25	1" or ¾"	M25	1" or ¾"	13.0	20.2	9.5	15.4	-	48.2	36.0	39.5
C	M32	1¼" or 1"	M32	1¼" or 1"	19.5	26.5	15.5	21.2	-	61.6	46.0	50.5
C2	M40	1½" or 1¼"	M40	1½" or 1¼"	25.0	32.5	22.0	28.0	-	64.6	55.0	60.6
D	M50	2" or 1½"	M50	2" or 1½"	31.5	44.4 / 42.3 ¹	27.5	34.8	-	83.2	65.0	70.8
E	M63	2½" or 2"	M63	2½" or 2"	42.5	56.3 / 54.3 ¹	39.0	46.5	-	83.2	80.0	88.0
F	M75	3" or 2½"	M75	3" or 2½"	54.5	68.2 / 65.3 ¹	49.5	58.3	-	86.4	95.0	104.0

All dimensions in millimetres (except * where dimensions are in inches).

¹ Smaller value is applicable when selecting reduced NPT entry option.
² Sizes Os and O are available with an M16 thread size. For O size with M16 thread, the maximum cable inner sheath diameter is 10.9mm
³ Hexagon dimensions as shown may increase to accommodate non-metric female threads
⁴ Other thread types available upon request

Technical Data

Ingress Protection	IP66, IP67 and IP68 (30 metres for 7 days, special conditions may apply) to IEC/EN 60529 and NEMA 4X
Deluge Protection	to DTS01
Operating Temperature	-60°C to +100°C
ATEX/IECEx	
ATEX/IECEx Protection Class	Ex II 2GD Ex db IIC Gb; Ex eb IIC Gb; Extb IIIC Db
ATEX Certificate No	CML 19ATEX1167X
IECEx Certificate No	CML 19.0045X
Construction & Test Standards	IEC/EN 60079-0, IEC/EN 60079-1, IEC/EN 60079-7 and IEC/EN 60079-31
Additional Certifications	EAC: RU C-GB.AA87.B.00430 Inmetro: IEx 14.0272X PESO: P450038 CNEX: CNEx17 2858X
NEC/CEC	
NEC Protection Class	Class I, Zone I, AEx eb IIC Gb; Zone 21, AEx tb IIIC Db
CEC Protection Class	Class I Div 2 ABCD, Class II Div 2 EFG and Class III Ex db IIC Gb; Ex eb IIC Gb
c CSA us Certificate	1015065
Construction & Test Standards	UL2225, UL1203, UL514B, CSA C22.2 NO. 0-10, CSA C22.2 NO. 174-18, CSA 22.2 60079-0, CSA 22.2 60079-1, CSA 22.2 60079-7 and CSA 22.2 60079-31

Ordering Information

Format for ordering is as follows: Alternative Seal (S), add suffix S to ordering information

Cable Gland Type	Size	Male Thread	Female Thread	Material	(Optional)
501/414	C	M32	M32	Brass	S
501/414	C	1¼" NPT	1¼" NPT	Brass	S

Order Example: 501/414 C M32/M32 Brass