

DATE: _____ LOCATION: _____
 TYPE: _____ PROJECT: _____
 CATALOG #: _____

INTERCEPT® VFS

ARENA/SPORTS FLOODLIGHT

FEATURES

- The Intercept® low glare shields provide industry leading glare reduction with minimal effect on light output
- Delivered lumens up to 90,000
- Scalable LED modules allow for an optimized configuration for various lumen output targets
- Up to 40°C ambient temperature rating
- Dynamic thermal management design that maximizes heat dissipation, substantially increasing life of the luminaire
- Built in surge suppression adds an additional layer of protection for the luminaire's driver



RELATED PRODUCTS

- ⌘ [SLS HID](#)
- ⌘ [Matrix MAF](#)

CONTROL TECHNOLOGY



SPECIFICATIONS

CONSTRUCTION

- Heavy duty die-cast aluminum housing
- Light engine is thermally isolated from driver components
- UV stabilized polyester powder paint finish
- Horizontal and vertical aiming

INSTALLATION

- Heavy duty yoke mount secured with 3/4" bolt

ELECTRICAL

- Four distributions to maximize performance: 2x2, 3x3, 4x4, 5x5
- -40°C TO 40°C operating temp range
- 20kA surge protection device standard
- 0–10V dimming driver standard, dimming leads must be extended for connection to control systems (CD option)
- 120–480V configurations 50/60Hz
- Driver RoHS compliant

CERTIFICATIONS

- IP66, Listed to UL1598 for use in wet locations
- This product qualifies as a “designated country construction material” per FAR 52.225-11 Buy American-Construction Materials under Trade Agreements effective 04/23/2020. See [Buy American Solutions](#)

WARRANTY

- 5 year warranty
- See [HLI Standard Warranty](#) for additional information

KEY DATA	
Lumen Range	45,000–90,000
Wattage Range	440W–880W
Efficacy Range (LPW)	90–102
Weights lbs. (kg)	100 (45)

INTERCEPT® VFS

ARENA/SPORT FLOODLIGHT

ORDERING GUIDE

Example: VAS-Y-63L-440-3K7-2-120-6C-3C-CD-LGC

CATALOG #

Family	Mount	Engine Watts	CCT	Distribution	Voltage	Cord
VFS Flood Sports Lighting	Y Yoke	63L-440 440W, 45,000 lm	3K7 3000K, 70 CRI	2 2x2	120 120V	3C 3' Prewired SEOWA cord
	UMY Under Mount Yoke	84L-660 660W, 60,000 lm	4K7 4000K, 70 CRI	3 3x3	208 208V	6C 6' Prewired SEOWA cord
		126L-880 880W, 90,000 lm	5K7 5000K, 70 CRI	4 4x4	240 240V	12C 12' Prewired SEOWA cord ²
			57K7 5700K, 70 CRI	5 5x5	277 277V	
			4K8 4000K, 80 CRI	AV Aviation Optics ¹	347 347V	
			5K8 5000K, 80 CRI		480 480V	
			57K8 5700K, 80 CRI			
			4K9 4000K, 90 CRI			
			5K9 5000K, 90 CRI			
			57K9 5700K, 90 CRI			

Control Options	Options
CD Continuous dimming	LGC Less Glare Control Single Fuse
NXWE NX Fixture Module	SF Single Fuse
DMX DMX/RDM	DF Double Fuse
	GL Glass Lens

Notes:

- 1 Includes glass lens
- 2 12' cord is default option

OPTIONS AND ACCESSORIES

Accessories (Ordered Separately)

- VFSVISOR** Top Visor
- 93093927** Laser Aiming Assembly
- 93101964** Safety Cable
- 93096023** Intercept Slip-Fit Adapter

Hubbell Control Solutions — Accessories (Sold Separately)

SiteSync™

- SWUSB*** SiteSync interface software loaded on USB flash drive for use with owner supplied PC (Windows based only). Includes SiteSync license, software and USB radio bridge node
- SWTAB*** Windows tablet and SiteSync interface software. Includes tablet with pre-loaded software, SiteSync license and USB radio bridge node
- SWBRG*** SiteSync USB radio bridge node only. Order if a replacement is required or if an extra bridge node is requested

For additional information related to these accessories please visit [SiteSync™](#). Options provided for use with integrated sensor, please view specification sheet ordering information table for details.

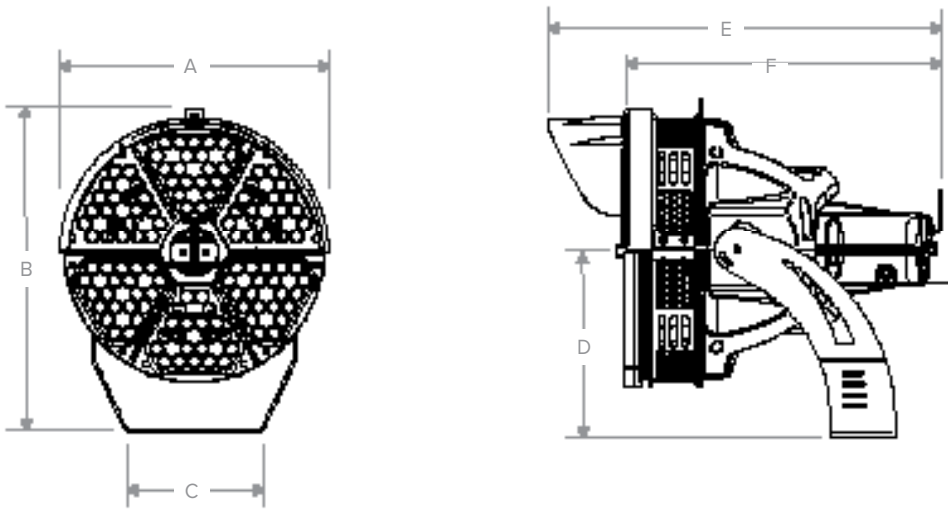
Notes:

- * When ordering SiteSync at least one of these two interface options must be ordered per project
- + SiteSync USB radio bridge node only. Order if replacement is required or if an extra bridge node is requested

INTERCEPT® VFS

ARENA/SPORT FLOODLIGHT

DIMENSIONS



A	B	C	D	E	F	Weight	EPA
23.5"	28.3"	12.0"	15.6"	32.66"	26.32"	100 lbs	4.2
597 mm	719 mm	305 mm	401 mm	812 mm	668 mm	45 kg	3.9

ADDITIONAL INFORMATION

MODULE TYPES

