



LIGHTING DVL SERIES

CLASS II UTILITY LIGHT – INTRODUCTION



Class II, Div. 1 & 2, Groups E, F, G
Class III
Class I, Div. 2, Groups A, B, C, D



Certified - File LR11713

FEATURES-SPECIFICATIONS

Features

- Compact in Size with Traditional Industrial Appearance and Suitability
- DVL LED Housings can be retrofitted to existing DV Series splice boxes; upgrade from incandescent housing 100 Series components
- Long Fixture Life – 50,000 - 55,000 maintenance free hours
- Crisp White Light for Excellent Color Rendering – Chromaticity 5000°K (CCT); 70 CRI
- Integral driver – maintains fixture's compact profile to fit in existing spaces
- Instant on – including after power interruption
- Solder-LESS LED Board Connections – Vibration Resistant

Materials

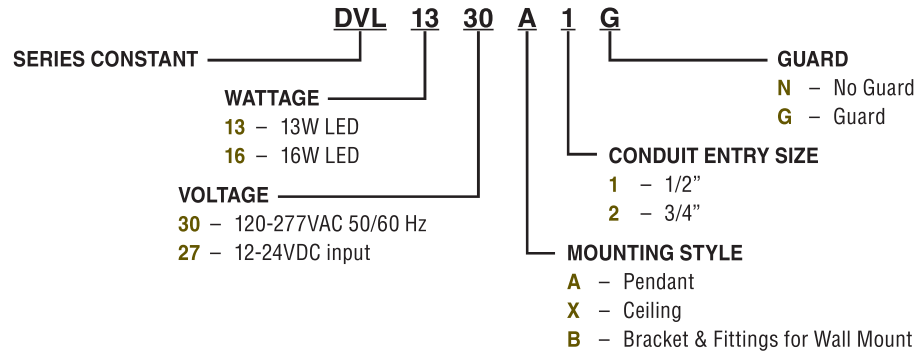
- Body and splice box are corrosion resistant copper-free aluminum alloy. Steel guard.
- Baked powder epoxy/polyester finish, electrostatically applied for complete, uniform corrosion protection

Electrical Ratings

- “World Voltage” 120-277VAC 50/60Hz



CLASS II UTILITY LIGHT – ORDERING INFORMATION

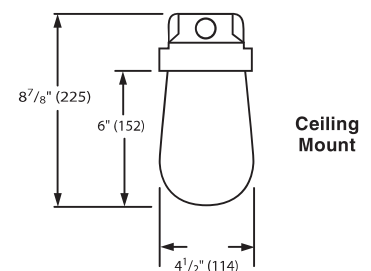
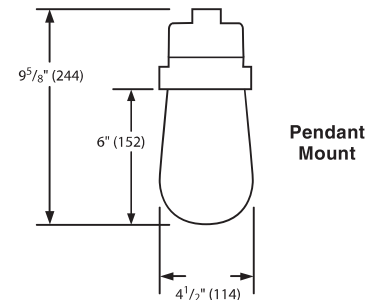


ACCESSORIES/COMPONENTS					
BODIES			MOUNTS		
DVL 1330	LED 13W	DVA1	1/2" Pendant Mount		
DVL 1327	LED 13W	DVA2	3/4" Pendant Mount		
DVL 1630	LED 16W	DVX1	1/2" Ceiling Mount		
DVL 1627	LED 16W	DVX2	3/4" Ceiling Mount		
		DVB1	1/2" Wall Mount		
		DVB2	3/4" Wall Mount		
GLOBE			GUARD		
DCGE-10			DAG-100		

DVL 100 SERIES						
MODEL	LAMP	HUB	PENDANT	CEILING	WALL	DELIVERED LUMENS
Type 100 13Watt	Included	1/2"	DVL1330A1G	DVL1330X1G	DVL1330B1G	1144
		3/4"	DVL1330A2G	DVL1330X2G	DVL1330B2G	
Type 100 16Watt	Included	1/2"	DVL1630A1G	DVL1630X1G	DVL1630B1G	1355
		3/4"	DVL1630A2G	DVL1630X2G	DVL1630B2G	

DVL THERMAL RATINGS					
CAT. NO.	AMBIENT	WATTS	C2D1 EFG	C1D2 ABCD	SUPPLY WIRE
DVL1330	40°C	13	T3B	T6	90°C
DVL1630	40°C	16	T3B	T6	90°C
DVL1330	55°C	13	—	T5	90°C
DVL1630	55°C	16	—	T5	90°C

DIMENSIONS



Wall Mount overall dimensions
Height = 13.125" (333mm)
Outward from wall = 7.4" (188mm)