



LIGHTING

# EBS SERIES

## EMERGENCY BATTERY SYSTEM – INTRODUCTION

### HOSTILE<sup>ITE</sup>® EBS EMERGENCY



EBS Unit with HK  
Type Heads and  
Integral Push-To-Test

Class I, Div. 1&2, Groups B,C,D  
Class I, Zone 1&2, Groups IIB+H2, IIA  
Class II, Div. 1&2, Groups EFG  
Class III  
Enclosure Type 4 (Type 4, 7B CD, 9EFG)

 File LR11713

## FEATURES-SPECIFICATIONS

### Exclusive Features

- LED Heads provide clear crisp illumination at 5000° Kelvin
- LED Head L70 value 100,000 hours for minimal maintenance
- Two head models up to 500% brighter than competitive non-LED units
- Enclosure Type 4 (Type 4) for wet and harsh locations
- Group B is standard when using EBSHK type heads
- Automatic Safety Disconnect – Removing main cover disconnects battery power
- Ambient Suitability 0°C to 45°C Battery Unit; Heads to 55°
- Compact unit requires only two mounting points
- World Voltage 120-277 VAC 50/60Hz input

### Other Features

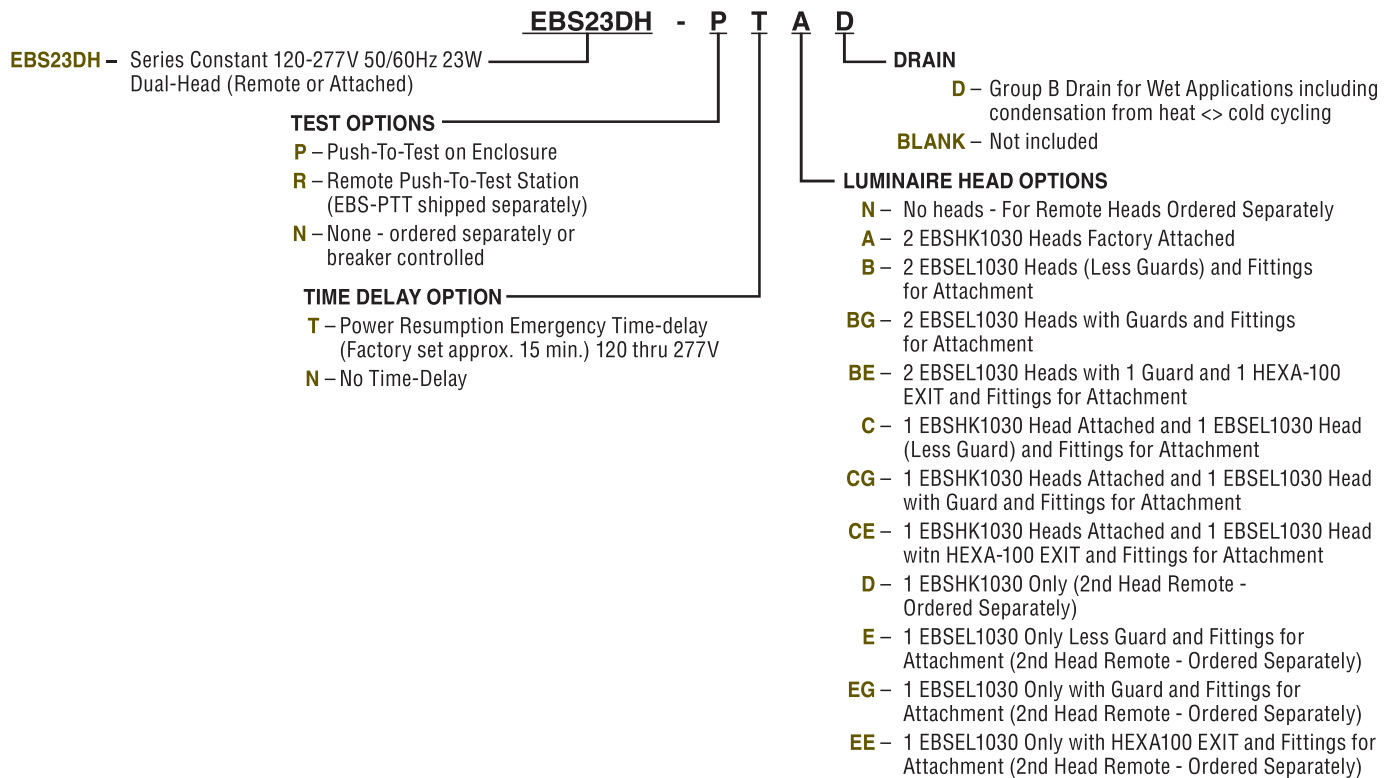
- High % of lumens maintained during 90 minute egress cycle
- EBSHK type heads are fully adjustable on unit or remote when ordered with RFSL Factory Sealed mounting kits
- EBSEL type heads are factory sealed on their EZ type mounting boxes
- Heads can be remote mounted over 300' from battery unit
- Ni-Cad sealed batteries provide 90 minutes of illumination
- Integral base unit LED pilot light indicates AC power is present
- Choice of Integral or Remote Push-To-Test station to verify system operation
- Vapor Capsule to inhibit corrosion is standard with main enclosure unit
- Terminal Blocks identified for incoming and outgoing connections

### Materials

- Main Enclosure and Heads Copper Free Aluminum alloy with Baked Powder epoxy/polyester finish, electrostatically applied for complete, uniform corrosion protection
- Attachment fittings copper-free aluminum
- External hardware 316 Stainless Steel
- EBSEL reflectors EXIT accessory aluminum with white paint



## EMERGENCY BATTERY SYSTEM – LOGIC & COMPONENTS



Factory Sealed Remote LED Spot Light - Bottom Feed



Factory Sealed Remote LED Spot Light - Side Feed



Remote Push-To-Test Station



### EBS UNIT - BOTTOM DETAIL



- A** Optional Push-To-Test
- B** Optional Group B Drain
- C** Standard Pilot Light
- D** Entry for Remote P-T-T Station
- E** Power Entry (also on top)

The EBS23 System is designed to power 2 Heads for operation (total attached or remote); each Head is approximately 10 Watts.



LIGHTING

# EBS SERIES

## EMERGENCY BATTERY SYSTEM – PRE-CONFIGURED UNITS

### ORDERING INFORMATION



INTEGRAL PUSH-TO-TEST		REMOTE PUSH-TO-TEST		
<b>EBS SYSTEM WITH TWO EBSHK HEADS</b>				<b>CID1BCD</b>
Integral PTT, Two EBSHK	Integral PTT, <b>TDR</b> , Two EBSHK	Remote PTT, Two EBSHK	Remote PTT, <b>TDR</b> , Two EBSHK	
<b>EBS23DH-PNA</b>	<b>EBS23DH-PTA</b>	<b>EBS23DH-RNA</b>	<b>EBS23DH-RTA</b>	
<b>EBS SYSTEM WITH TWO EBSEL HEADS WITH GUARDS</b>				<b>CID1CD</b>
Integral PTT, Two EBSEL Heads w/ Guards	Integral PTT, <b>TDR</b> , Two EBSEL Heads w/ Guards	Remote PTT, Two EBSEL Heads w/ Guards	Remote PTT, <b>TDR</b> , Two EBSEL Heads w/ Guards	
<b>EBS23DH-PNBG</b>	<b>EBS23DH-PTBG</b>	<b>EBS23DH-RNBG</b>	<b>EBS23DH-RTBG</b>	
<b>EBS SYSTEM WITH ONE EBSHK HEAD &amp; 1 EBSEL HEAD WITH GUARD</b>				<b>CID1CD</b>
Integral PTT, One EBSHK & One EBSEL Head w/ Guard	Integral PTT, <b>TDR</b> , One EBSHK & One EBSEL Head w/ Guard	Remote PTT, One EBSHK & One EBSEL Head w/ Guard	Remote PTT, <b>TDR</b> , One EBSHK & One EBSEL Head w/ Guard	
<b>EBS23DH-PNCG</b>	<b>EBS23DH-PTCG</b>	<b>EBS23DH-RNCG</b>	<b>EBS23DH-RTCG</b>	
<b>EBS SYSTEM WITH TWO EBSEL HEADS ONE WITH EXIT</b>				<b>CID1CD</b>
Integral PTT, Two EBSEL Heads, One w/ EXIT, One w/ Guard	Integral PTT, <b>TDR</b> , Two EBSEL Heads One w/ EXIT, One w/ Guard	Remote PTT, Two EBSEL Heads, One w/ EXIT, One w/ Guard	Remote PTT, Two EBSEL Heads, One w/ EXIT, One w/ Guard	
<b>EBS23DH-PNBE</b>	<b>EBS23DH-PTBE</b>	<b>EBS23DH-RNBE</b>	<b>EBS23DH-RTBE</b>	
<b>EBS SYSTEM WITH ONE EBSHK HEAD &amp; ONE EBSEL HEAD WITH EXIT</b>				<b>CID1CD</b>
Integral PTT, One EBSHK Head, One EBSEL w/ EXIT	Integral PTT, <b>TDR</b> , One EBSHK Head, One EBSEL w/ EXIT	Remote PTT, One EBSHK Head, One EBSEL w/ EXIT	Remote PTT, <b>TDR</b> , One EBSHK Head, One EBSEL w/ EXIT	
<b>EBS23DH-PNCE</b>	<b>EBS23DH-PTCE</b>	<b>EBS23DH-RNCE</b>	<b>EBS23DH-RTCE</b>	
<b>EBS SYSTEM ONLY FOR REMOTE HEADS (ORDER TWO SEPARATELY)</b>				<b>CID1BCD</b>
Integral PTT, No Heads	Integral PTT, <b>TDR</b> , No Heads	Remote PTT, No Heads	Remote PTT, <b>TDR</b> , No Heads	
<b>EBS23DH-PNN</b>	<b>EBS23DH-PTN</b>	<b>EBS23DH-RNN</b>	<b>EBS23DH-RTN</b>	



EMERGENCY BATTERY SYSTEM – REMOTE HEADS & ACCESSORIES



EBSEL1030 COMPONENTS & ACCESSORIES – DESCRIPTION	CATALOG NUMBER
EBSEL 10W Head Only with LED's, Less Mount and Guard ①	EBSEL1030
Guard	EMG1
Red Guard – used to signify remote fixture is for Emergency	EMG1-R
EXIT Accessory – 3-sided white painted aluminum	HEXA-100
Dome Reflector	ERSD15
Angle Reflector	ERA15
Sealed Fittings Set for attachment of Pendant EBSEL to EBS23HD-xxx	EBS-AHFS
Replacement Globe and Support Assembly	EMGS1

① Cannot be used as a stand alone product and is not certified unless used with EBS23DH unit.



EBSEL  
Shown with  
Exit Accessory



EBSEL1030



EMG1



EMG1-R



EMGS1



ERSD15



ERA15



MOUNTING BOXES				
CATALOG NUMBER				HUB SIZE
PENDANT	CEILING	BRACKET	STANCHION	
EZA2	EZX2	EZB2	-	3/4"
EZA3	EZX3	EZB3	-	1"
-	-	-	EZD4	1-1/4" / 1-1/2"



EBSHK1030



EBSHK1030-RFSL



EBSHK1030-RFSC



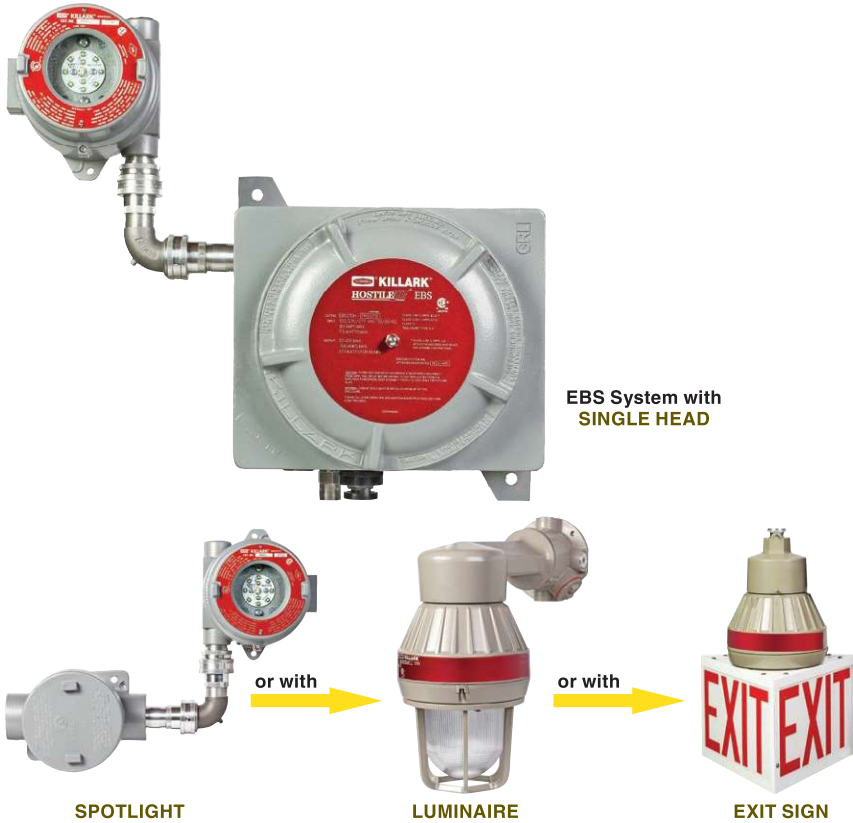
EBS-PTT

EBS23DH SERIES ACCESSORIES – DESCRIPTION	CATALOG NUMBER
Remote Push-To-Test Station Group B 3/4" Feed-Thru w/Close Up Plug	EBS-PTT
Remote Push-To-Test Station with Lock Off, Group B 3/4" Feed-Thru	EBS-PTT-LO
Lock-Off for Integral Push-To-Test	G010502
Sealed Fittings Set for attachment of EBSHK to GEBC-2 or GEBL-2	EBS-AHFS
Replacement Battery Pack and Electronics	KLBP01
Replacement Vapor Capsule for corrosion protection	EBS-VC

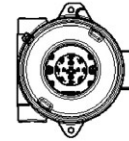


LIGHTING  
**EBS SERIES**

EMERGENCY BATTERY SYSTEM – ELECTRICAL & TEMPERATURE DATA



**LED 10W EBSHK1030**

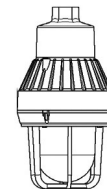


ZONAL LUMEN SUMMARY		
ZONE	LUMENS	FIXT%
0-30	254	27.9%
0-40	423	46.3%
0-60	781	85.5%
0-90	913	100.0%
90-120	0	0.0%
90-130	0	0.0%
90-150	0	0.0%
90-180	0	0.0%
0-180	913	100.0%

Absolute Photometry  
Total Luminaire Efficiency = N.A.%  
Spacing to Mounting Height Ratio 2.1

EMERGENCY MODE LUMENS		
5 Min.	99.1%	905 Lumens
45 Min.	99.4%	871 Lumens
90 Min.	95.3%	871 Lumens

**LED 10W EBSEL1030**



ZONAL LUMEN SUMMARY		
ZONE	LUMENS	FIXT%
0-30	180	16.7%
0-40	344	31.8%
0-60	758	70.1%
0-90	1067	98.7%
90-120	11	1.0%
90-130	13	1.2%
90-150	14	1.3%
90-180	14	1.3%
0-180	1081	100%

Absolute Photometry  
Total Luminaire Efficiency = N.A.%  
Spacing to Mounting Height Ratio 2.1

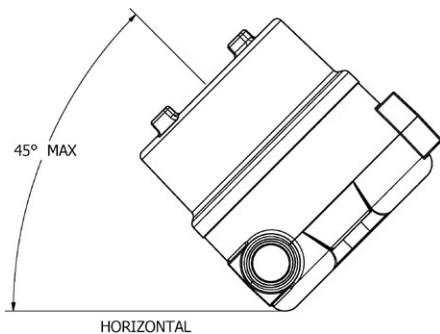
EMERGENCY MODE LUMENS		
5 Min.	94.4%	102 Lumens
45 Min.	91.3%	987 Lumens
90 Min.	89.3%	966 Lumens

EBS23DH ELECTRICAL DATA						
CATALOG NUMBER	INPUT**			OUTPUT**		
	VOLTAGE	WATTS	CURRENT	VOLTAGE	WATTS	CURRENT
EBS23DH	120-277VAC	7.5	.1 A	33VDC	23	700mA

\*\* Figures nominal. Current is 350mA to each of 2 heads (2 heads are required for proper operation, remote or attached).

THERMAL PERFORMANCE DATA					
CATALOG NUMBER	AMBIENT	CID1	CIID1	SUITABILITY	SUPPLY WIRE
EBS23DH	45°C	T6	EFG	0-45°C	75°C
EBSEL1030	55°C	T6	EFG	-40 to 40°C	75°C
EBSHK1030	55°C	T6	EFG	-40 to 40°C	75°C

\* Heads are NOT certified for use without EBS Battery Unit



EBSHK Heads can be aimed up to 45 above horizontal – if flush on wall will require spacing out.

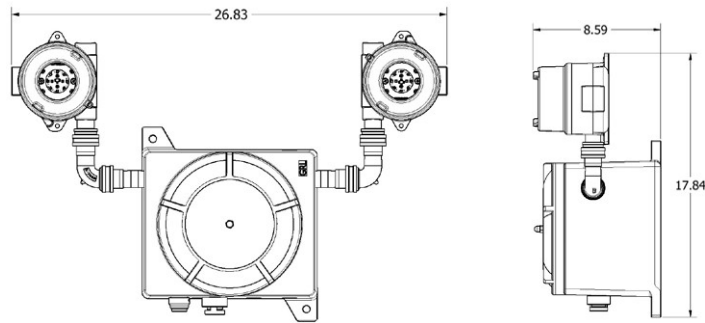
**4 Head EBS option:**

EBS units are designed for 2 head operation and will provide the lumens noted at right. However, 4 heads can be connected and will operate for 90 minutes at half the published lumen values. The EBSHK1030 would provide 456 lumens; the EBSEL1030 540 lumens. Instructions for wiring are included with the main EBS unit.

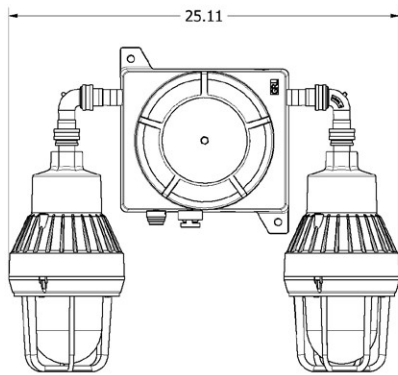




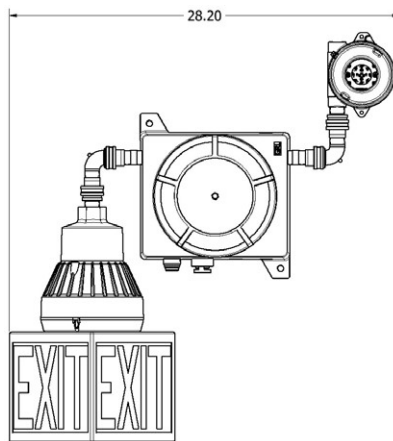
EMERGENCY BATTERY SYSTEM – DIMENSIONS & WEIGHTS



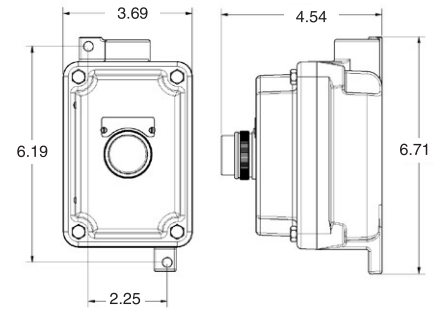
Dimensions - EBS with HK Heads



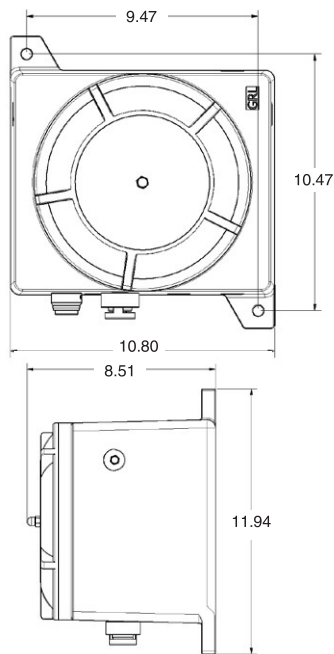
Dimensions - EBS with EL Heads



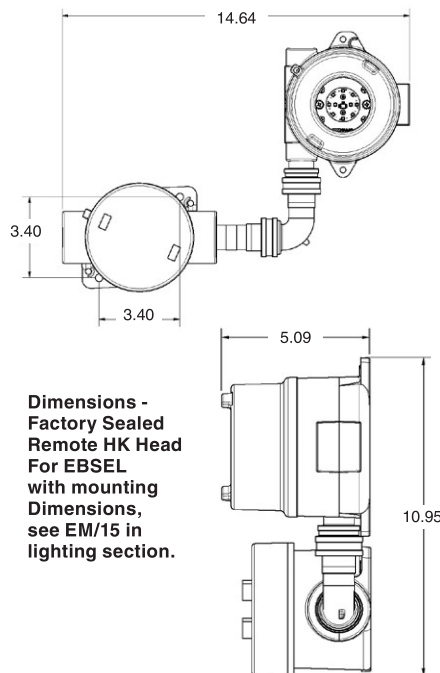
Dimensions - EBS with EL-EXIT & HK Heads



Dimensions - Remote Test Station



Dimensions - EBS Main Unit



Dimensions -  
Factory Sealed  
Remote HK Head  
For EBSEL  
with mounting  
Dimensions,  
see EM/15 in  
lighting section.

WEIGHTS (SHIPPING) INDIVIDUAL AND COMBINATIONS	LBS.
EGS23DH Main Unit Only	36.6
EBSEL1030 Pendant Head Only w/ Fittings Set	12.3
EBSHK1030 Head Only w/ Fittings Set	5.0
EBSHK1030-RFSC (or RFSL)	11.0
EBS-PTT	3.0
EBS-AHFS Factory Sealed Fittings Set	0.6
EBS23DH & 1 EBSHK w/ Fittings	41.6
EBS23DH & 2 EBSHK w/ Fittings	46.6
EBS23DH & 1 EBSEL w/ Fittings	48.9
EBS23DH & 2 EBSEL w/ Fittings	61.2
EBS23DH & 1 EBSEL & 1 EBSHK w/ Fittings	53.9