



EXPLOSION-PROOF – INTRODUCTION & LOGIC



Class I, Div. 1 & 2, Groups C,D
 Class I, Zones 1 & 2, Groups IIB, IIA
 Class II, Div. 1 & 2, Groups E,F,G
 Class III, Div. 1 & 2
 Suitable for wet locations
 Suitable for Paint Spray Booth
 Marine Rated (US only)
 Type 3, 4, 4X
 Factory Sealed

Certified - File LR11713

HOSTILE^{ITE} LED

FEATURES-SPECIFICATIONS

Compliances

- UL-8750 for LED lighting
- UL-844 Electric Lighting Fixtures for use in Hazardous Locations
- UL Marine Type Electric Lighting Fixtures
- CSA C22.2 no. 137-M1981 Electric Luminaires for use in Hazardous Locations
- Type 3, 4, 4X, 7CD, 9EFG

Materials

- Housing, splice box, and guards corrosion resistant copper-free aluminum alloy
- Baked powder epoxy/polyester finish, electrostatically applied for complete, uniform corrosion protection
- All external hardware – Stainless Steel
- Reflectors are aluminum with white finish

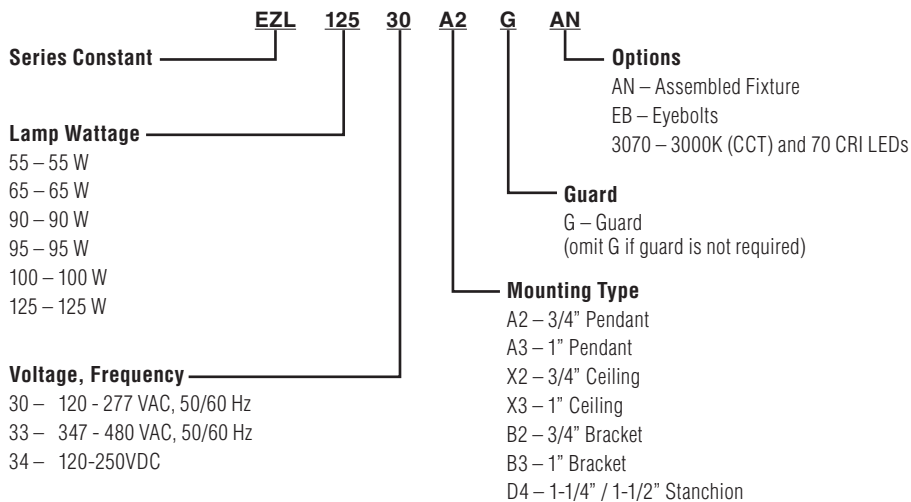
LED Luminaire Features and Standards

Supplemental **20KA/10KV Surge Protection** is **standard** (for 120-277 VAC models)
10KA/10KV Surge Protection (for 347-480 VAC)

- Explosion-proof with Traditional Industrial Appearance and Suitability
- Mounting choice – Pendant, ceiling, 25° stanchion or 90° wall mount, all with “wireless” design that allows fast, easy fixture installation or removal for maintenance.
- Accessories – Available with or without guard, standard dome or angle reflector
- EZL LED Housings can be retrofitted to existing EZ splice boxes; upgrade from Incandescent, Fluorescent or HID
- Energy Savings – Less than 130 Watts of Power

- LED Array Life – 100,000+ hours with 70% initial lumens
- Long Fixture Life – 50,000 - 55,000 maintenance free hours
- Crisp White Light for Excellent Color Rendering – Chromaticity 5000K (CCT range; approx. 70 CRI)
- Ambient suitability -40°C to 55°C
- Instant on – Including after power interruption
- “World Voltage” 120-277VAC 50/60Hz
- Solder-LESS LED Board Connections – Vibration Resistant
- Factory Sealed Construction – No external seal required, simply wire mouting cap and thread-in fixture to install
- **Warm LED color option available with 3070**

Catalog Number Logic



LIGHTING

EZL SERIES



EXPLOSION PROOF – ORDERING INFORMATION, COMPONENTS & RATINGS



EZL SERIES PENDANT WITH OPTIC AND GUARD			
WATTS	HUB SIZE	VOLTAGE	GLOBE & GUARD
55	3/4"	120-277VAC	EZL5530A2G
65	3/4"	120-277VAC	EZL6530A2G
90	3/4"	120-277VAC	EZL9030A2G
95	3/4"	120-277VAC	EZL9530A2G
100	3/4"	120-277VAC	EZL10030A2G
125	3/4"	120-277VAC	EZL12530A2G



EZL SERIES CEILING WITH OPTIC AND GUARD			
WATTS	HUB SIZE	VOLTAGE	GLOBE & GUARD
55	3/4"	120-277VAC	EZL5530X2G
65	3/4"	120-277VAC	EZL6530X2G
90	3/4"	120-277VAC	EZL9030X2G
95	3/4"	120-277VAC	EZL9530X2G
100	3/4"	120-277VAC	EZL10030X2G
125	3/4"	120-277VAC	EZL12530X2G

EZL SERIES WALL BRACKET WITH OPTIC AND GUARD			
WATTS	HUB SIZE	VOLTAGE	GLOBE & GUARD
55	3/4"	120-277VAC	EZL5530B2G
65	3/4"	120-277VAC	EZL6530B2G
90	3/4"	120-277VAC	EZL9030B2G
95	3/4"	120-277VAC	EZL9530B2G
100	3/4"	120-277VAC	EZL10030B2G
125	3/4"	120-277VAC	EZL12530B2G



EZL SERIES STANCHION WITH OPTIC AND GUARD			
WATTS	HUB SIZE	VOLTAGE	GLOBE & GUARD
55	3/4"	120-277VAC	EZL5530D4G
65	3/4"	120-277VAC	EZL6530D4G
90	3/4"	120-277VAC	EZL9030D4G
95	3/4"	120-277VAC	EZL9530D4G
100	3/4"	120-277VAC	EZL10030D4G
125	3/4"	120-277VAC	EZL12530D4G



MOUNTING BOXES				
HUB SIZE	CATALOG NUMBER			
	PENDANT	CEILING	BRACKET	STANCHION
3/4"	EZA2	EZX2	EZB2	—
1"	EZA3	EZX3	EZB3	—
1-1/4"/1-1/2"	—	—	—	EZD4



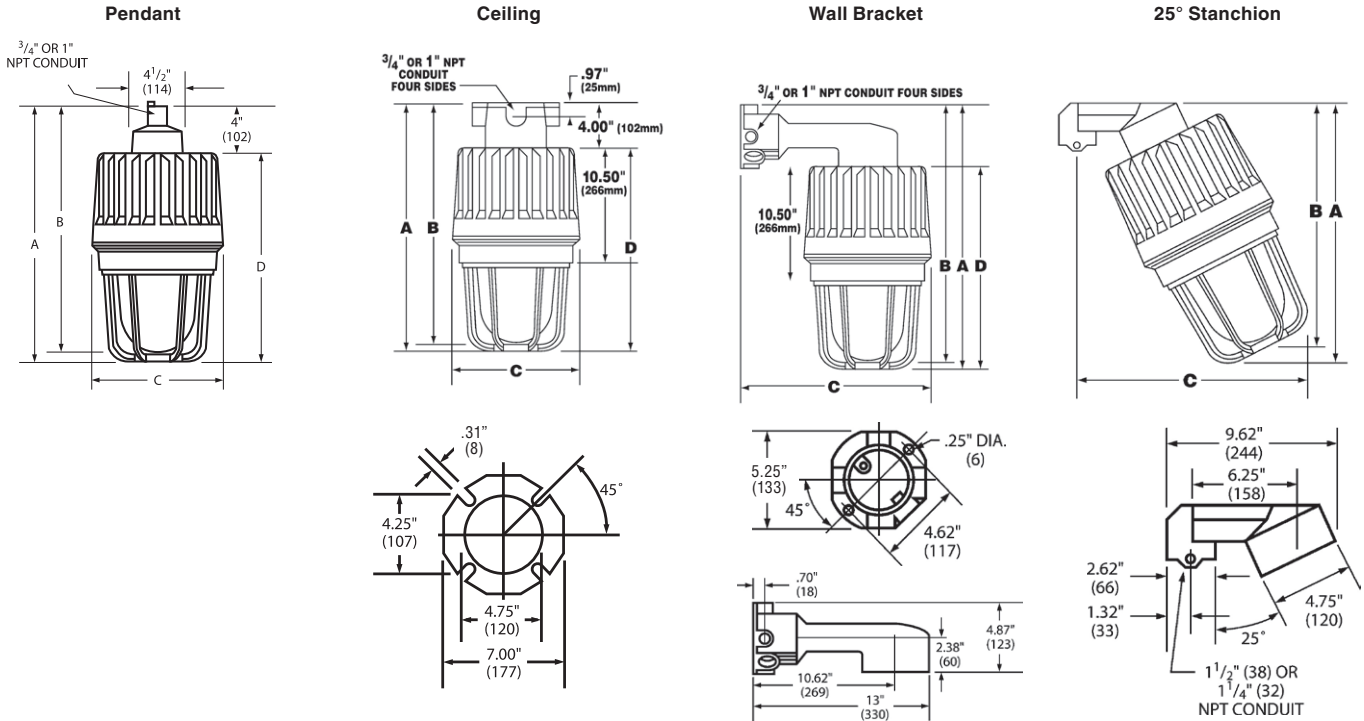
REFLECTORS	
CATALOG NUMBER	DESCRIPTION
VMPSD40	Standard dome. fiberglass reinforced polyester
VMPA40	30° Angle fiberglass reinforced polyester
HRD400	Deep dome. Aluminum with white finish
HRD400ALZ	Deep dome with specular anaodized finish



ORDERING INFORMATION AND AMBIENT SUITABILITY						C1D1/C1Z1		C2D1	
CATALOG NO.	WEIGHT LBS./KG	WATTS	VOLTAGE	AMPS	DELIVERED LUMENS	40°C	55°C	40°C	55°C
EZL5530	36 / 16.33	55	120-277VAC	0.46/0.20	5596	T6	T6	EFG	EFG
EZL6530		65	120-277VAC	0.54/0.23	6515	T6	T6	EFG	EFG
EZL9030		90	120-277VAC	0.75/0.32	7818	T6	T6	EFG	EFG
EZL9530		95	120-277VAC	0.79/0.34	9121	T6	T6	EFG	EFG
EZL10030		100	120-277VAC	0.83/0.36	10903	T6	XXX	EFG	XXX
EZL12530		125	120-277VAC	1.04/0.45	12720	T6	XXX	EFG	XXX



DIMENSIONS



MOUNTING DIMENSIONS														
PENDANT				CEILING				BRACKET				STANCHION		
A	B	C	D	A	B	C	D	A	B	C	D	A	B	C
22" (558)	21-1/4" (539)	11-1/4" (285)	18" (457)	22" (558)	21-1/4" (539)	11-1/4" (285)	18" (457)	22-7/8" (580)	22-1/8" (561)	16-3/4" (425)	18" (457)	24-7/8" (631)	24" (609)	19-13/16" (503)

Reflector Dimensions

