



## MOGUL BASE HID FIXTURES



Class I, Div. 1 & 2 Groups C,D  
 Class I, Zone 1 & 2, Groups IIB,IIA  
 Class I, Zone 1, AEx d IIB  
 Class II, Div. 1 & 2, Groups E,F,G  
 Class III, Div. 1 & 2  
 Suitable for wet locations  
 Marine Rated (US Only)  
 NEMA 3, 4, 4X  
 Factory Sealed

**UL LISTED** - File E10514 and E91793

**SP Certified** - File LR11713

### FEATURES-SPECIFICATIONS

#### HOSTILELITE®

HOSTILELITE® EZ fixtures are now available with Pulse Start Metal Halide ballasts. Pulse Start systems provide higher and better maintained light output with longer life compared standard metal halide systems. Pulse start and standard Metal Halide lamps and ballasts are not interchangeable.

#### Applications

HOSTILELITE® EZ Series mogul base fixtures are designed for installations where moisture, dirt, dust, corrosion and vibration may be present, or NEMA 3 and 4x areas where wind, water, snow or high ambients can be expected. They can be used in locations made hazardous due to the presence of flammable or explosive gases, vapors and combustible dusts as defined by the NEC.

Typical applications include classified areas such as paint manufacturing plants, ammunition facilities, oil and gas producing and refining plants, off-shore and dockside installations, tank farms, pipeline pumping stations and marine loading and fuel transfer terminals.

#### Features

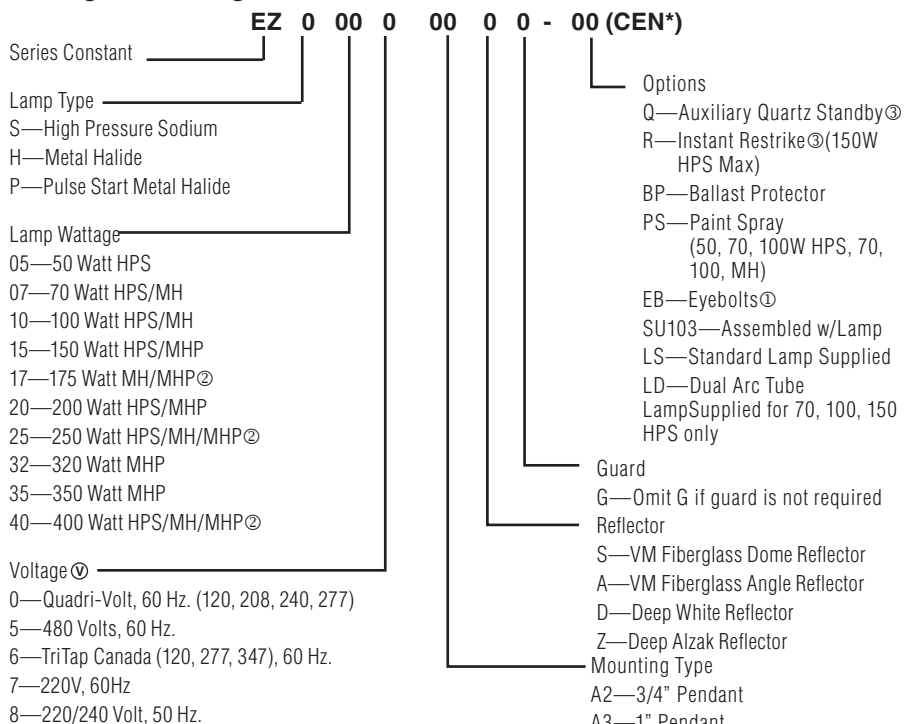
- Three light sources – High Pressure Sodium (50-400W), Metal Halide (70-400W) and Pulse Start Metal Halide (175-400W)
- HOSTILELITE® EZ fixtures are now available with Pulse Start Metal Halide ballasts
- Mounting choice –Pendant, ceiling, 25" stanchion or 90° wall mount, all with "wireless" design that allows fast, easy fixture installation or removal for maintenance. See pages L181-182 for trunnion mounted fixtures
- Factory sealed – No external seal needed. Simply wire mounting cap and thread on fixture to install

- Corrosion resistant – Copper-free aluminum die cast construction. Baked powder epoxy finish, electrostatically applied. Exposed hardware is 316 grade stainless steel
- Accessories – Available with or without guard, standard dome or angle reflector
- Options – EZ Series fixtures can be specified with instant restart for HPS lamps, auxiliary quartz circuit, ballast protector, and fuse kits. (See page L156 for details)

#### Compliances

- UL-844 Electric Lighting Fixtures for use in Hazardous Locations
- UL Marine Type Electric Lighting Fixtures
- UL-1598 Standard for HID Lighting Fixtures
- CSA C22.2 no. 137-M1981 Electric Luminaires for use in Hazardous Locations
- CSA C22.2 no. 94-1976 Special purpose enclosure
- NEMA 3, 4, 4x, 7CD, 9EFG

#### Catalog Number Logic



\*CEN (CENELEC) Approved option available on some models. See page L160 for more information.

Ⓞ Two eyebolts plus 12" of connecting chain included.

Ⓞ 175, 250 and 400W MH EXPORT ONLY (EISA LAW).

Ⓞ Not for use with DUAL-ARC-TUBE Lamps.

Ⓞ Consult factory for available lamp and voltage combinations.



# LIGHTING

## HIGH PRESSURE SODIUM 50-400W MOGUL BASE HID

Class I, Div. 1 & 2 Groups C,D  
 Class I, Zone 1 & 2, Groups IIB,IIA  
 Class I, Zone 1, AEx d IIB  
 Class II, Div. 1 & 2, Groups E,F,G  
 Class III, Div. 1 & 2  
 Suitable for wet locations  
 Marine Rated (US Only)  
 NEMA 3, 4, 4X  
 Factory Sealed

LISTED - File E10514 and E91793 (Marine)

Certified - File LR11713

### FEATURES-SPECIFICATIONS



Pendant



Ceiling



Wall



Stanchion

EZ 50- 400 WATT, HIGH PRESSURE SODIUM ①④						
WATTS	ANSI LAMP	VOLTAGE @ 60HZ	CATALOG NUMBER			
			PENDANT 3/4" ②	CEILING 3/4" ②	WALL 3/4" ②	STANCHION 1-1/4" ③
50	S-68	120, 208, 240, 277	EZS050A2G	EZS050X2G	EZS050B2G	EZS050D4G
		120, 277, 347	—	—	—	—
		480	—	—	—	—
70	S-62	120, 208, 240, 277	EZS070A2G	EZS070X2G	EZS070B2G	EZS070D4G
		120, 277, 347	EZS076A2G	EZS076X2G	EZS076B2G	EZS076D4G
		480	EZS075A2G	EZS075X2G	EZS075B2G	EZS075D4G
100	S-54	120, 208, 240, 277	EZS100A2G	EZS100X2G	EZS100B2G	EZS100D4G
		120, 277, 347	EZS106A2G	EZS106X2G	EZS106B2G	EZS106D4G
		480	EZS105A2G	EZS105X2G	EZS105B2G	EZS105D4G
150	S-55	120, 208, 240, 277	EZS150A2G	EZS150X2G	EZS150B2G	EZS150D4G
		120, 277, 347	EZS156A2G	EZS156X2G	EZS156B2G	EZS156D4G
		480	EZS155A2G	EZS155X2G	EZS155B2G	EZS155D4G
250	S-50	120, 208, 240, 277	EZS250A2G	EZS250X2G	EZS250B2G	EZS250D4G
		120, 277, 347	EZS256A2G	EZS256X2G	EZS256B2G	EZS256D4G
		480	EZS255A2G	EZS255X2G	EZS255B2G	EZS255D4G
400	S-51	120, 208, 240, 277	EZS400A2G	EZS400X2G	EZS400B2G	EZS400D4G
		120, 277, 347	EZS406A2G	EZS406X2G	EZS406B2G	EZS406D4G
		480	EZS405A2G	EZS405X2G	EZS405B2G	EZS405D4G

① See Hazardous Location Application Data on pages L160 - L161 for specific suitability.  
 ② For 1 inch pendant, ceiling and wall hubs, substitute "3" for "2" in catalog number; example: **EZS070A3G**.  
 ③ Stanchion conduit hub size supplied is 1-1/2" with 1-1/2" to 1-1/4" reducer for 1-1/4" mounting. (Refer to catalog logic).  
 ④ Luminaire catalog numbers include guards. To order luminaire without guard, omit last letter "G" from catalog number.

NOTE: Reflectors must be ordered separately (see page L157).  
 All luminaires are designed for mounting with lamp in base up position.



## METAL HALIDE 70-400W MOGUL BASE HID

Class I, Div. 1 & 2 Groups C,D  
 Class I, Zone 1 & 2, Groups IIB,IIA  
 Class I, Zone 1, AEx d IIB  
 Class II, Div. 1 & 2, Groups E,F,G  
 Class III, Div. 1 & 2  
 Suitable for wet locations  
 Marine  
 NEMA 3, 4, 4X  
 Factory Sealed

LISTED - File E10514 and E91793 (Marine)

Certified - File LR11713

### ORDERING INFORMATION



Pendant



Ceiling



Wall



Stanchion

EZ 70 - 400 WATT, METAL HALIDE ①④⑥						
WATTS	ANSI LAMP	VOLTAGE @ 60HZ	CATALOG NUMBER			
			PENDANT 3/4" ②	CEILING 3/4" ②	WALL 3/4" ②	STANCHION 1-1/4" ③
70 ⑥	M-98	120, 208, 240, 277	EZH070A2G	EZH070X2G	EZH070B2G	EZH070D4G
		120, 277,347	EZH076A2G	EZH076X2G	EZH076B2G	EZH076D4G
		480	EZH075A2G	EZH075X2G	EZH075B2G	EZH075D4G
100 ⑥	M-90	120, 208, 240, 277	EZH100A2G	EZH100X2G	EZH100B2G	EZH100D4G
		120, 277,347	EZH106A2G	EZH106X2G	EZH106B2G	EZH106D4G
		480	EZH105A2G	EZH105X2G	EZH105B2G	EZH105D4G
175 ⑥	M-575 n	120, 208, 240, 277	EZH170A2G	EZH170X2G	EZH170B2G	EZH170D4G
		120, 277,347	EZH176A2G	EZH176X2G	EZH176B2G	EZH176D4G
		480	EZH175A2G	EZH175X2G	EZH175B2G	EZH175D4G
250 ⑥	M-58	120, 208, 240, 277	EZH250A2G	EZH250X2G	EZH250B2G	EZH250D4G
		120, 277,347	EZH256A2G	EZH256X2G	EZH256B2G	EZH256D4G
		480	EZH255A2G	EZH255X2G	EZH255B2G	EZH255D4G
400 ⑥	M-59	120, 208, 240, 277	EZH400A2G	EZH400X2G	EZH400B2G	EZH400D4G
		120, 277,347	EZH406A2G	EZH406X2G	EZH406B2G	EZH406D4G
		480	EZH405A2G	EZH405X2G	EZH405B2G	EZH405D4G

① See Hazardous Location Application Data on pages L160 - L161 for specific suitabilityes.  
 ② For 1 inch pendant, ceiling and wall hubs, substitute "3" for "2" in catalog number; example: **EZH070A3G**.  
 ③ Stanchion conduit hub size supplied is 1-1/2" with 1-1/2" to 1-1/4" reducer for 1-1/4" mounting. (Refer to catalog logic).  
 ④ Luminaire catalog numbers include guards. To order luminaire without guard, omit last letter "G" from catalog number.  
 ⑤ Will also operate 150W M107 Metal Halide Lamps.  
 ⑥ 175, 250, 400W MH EXPORT ONLY (EISA LAW).  
 NOTE: Reflectors must be ordered separately (see page L157).  
 All luminaires are designed for mounting with lamp in base up position.



# LIGHTING

## PULSE START METAL HALIDE 150-400W MOGUL BASE HID

Class I, Div. 1 & 2 Groups C,D  
 Class I, Zone 1 & 2, Groups IIB,IIA  
 Class I, Zone 1, AEx d IIB  
 Class II, Div. 1 & 2, Groups E,F,G  
 Class III, Div. 1 & 2  
 Suitable for wet locations  
 Marine  
 NEMA 3, 4, 4X  
 Factory Sealed

LISTED - File E10514 and E91793 (Marine)

Certified - File LR11713

### ORDERING INFORMATION



Pendant



Ceiling



Wall



Stanchion

EZ 150 - 400 WATT, PULSE START METAL HALIDE ①④⑥						
WATTS	ANSI LAMP	VOLTAGE @ 60HZ	CATALOG NUMBER			
			PENDANT 3/4" ②	CEILING 3/4" ②	WALL 3/4" ②	STANCHION 1-1/4" ③
150	M-102 M-142	120, 208, 240, 277	EZP150A2G	EZP150X2G	EZP150B2G	EZP150D4G
		120,277,347	EZP156A2G	EZP156X2G	EZP156B2G	EZP156D4G
		480	EZP155A2G	EZP155X2G	EZP155B2G	EZP155D4G
175	M-137	120, 208, 240, 277	EZP170A2G	EZP170X2G	EZP170B2G	EZP170D4G
		120,277,347	EZP176A2G	EZP176X2G	EZP176B2G	EZP176D4G
		480	EZP175A2G	EZP175X2G	EZP175B2G	EZP175D4G
250	M-138	120, 208, 240, 277	EZP250A2G	EZP250X2G	EZP250B2G	EZP250D4G
		120,277,347	EZP256A2G	EZP256X2G	EZP256B2G	EZP256D4G
		480	EZP255A2G	EZP255X2G	EZP255B2G	EZP255D4G
320	M-132	120, 208, 240, 277	EZP320A2G	EZP320X2G	EZP320B2G	EZP320D4G
		120,277,347	EZP326A2G	EZP326X2G	EZP326B2G	EZP326D4G
		480	EZP325A2G	EZP325X2G	EZP325B2G	EZP325D4G
350	M-131	120, 208, 240, 277	EZP350A2G	EZP350X2G	EZP350B2G	EZP350D4G
		120,277,347	EZP356A2G	EZP356X2G	EZP356B2G	EZP356D4G
		480	EZP355A2G	EZP355X2G	EZP355B2G	EZP355D4G
400	M-135	120, 208, 240, 277	EZP400A2G	EZP400X2G	EZP400B2G	EZP400D4G
		120,277,347	EZP406A2G	EZP406X2G	EZP406B2G	EZP406D4G
		480	EZP405A2G	EZP405X2G	EZP405B2G	EZP405D4G

- ① See Hazardous Location Application Data on pages L160 - L161 for specific suitability.
- ② For 1 inch pendant, ceiling and wall hubs, substitute "3" for "2" in catalog number; example: **EZP170A3G**.
- ③ Stanchion conduit hub size supplied is 1-1/2" with 1-1/2" to 1-1/4" reducer for 1-1/4" mounting. (Refer to catalog logic).
- ④ Luminaire catalog numbers include guards. To order luminaire without guard, omit last letter "G" from catalog number.

NOTE: Reflectors must be ordered separately (see page L157).  
 All luminaires are designed for mounting with lamp in base up position.





COMPONENT PARTS/ACCESSORIES/OPTIONS • HID FIXTURES

**Mounting Boxes**



Pendant



Ceiling



EAC<sup>①</sup>



Wall Bracket



25° Stanchion



HIC-BEIGE replacement wiring plug for EZBx Wall Bracket



Ezcup Close up plug for EZ mounting boxes. Used for maintenance when fixture is removed for service.



Replacement Globe & Support Assemblies

**REPLACEMENT GLOBE & GLOBE SUPPORT ASSEMBLY**

SERIES	LAMP TYPE	WATTAGE	CATALOG NUMBER
EZS	HPS	50-150	EZGS1
EZH	MH	70-250	
EZP	MHP	150, 175, 250	
EZS	HPS	250, 400	EZGS2
EZH	MH	400	
EZP	MHP	320-400	

MOUNTING BOXES				
HUB SIZE	CATALOG NUMBER			
	PENDANT	CEILING	BRACKET	STANCHION
3/4"	EZA2	EZX2**	EZB2	—
1"	EZA3	EZX3	EZB3	—
1-1/4" / 1-1/2"	—	—	—	EZD4*

\* Supplied as 1-1/2" NPT with 1-1/2" x 1-1/4" reducer  
 \*\* 25 cu. in. below EZTB tangs.

**EZ OPTIONS**

**Instant Restart Option**


Factory installed special ignitor provides hot lamp instant restart of HPS lamps after power interruption of up to 1 minute. Available for 50, 70, 100 and 150 watt HPS lamps only. Add suffix "R" to fixture catalog number (50/60 Hz).

**Quartz Emergency Lamp**

Factory installed special auxiliary quartz relay and D.C. bayonet base socket installed to accept 100 watt, 120 volt quartz (100Q/DC) lamps only. Lamps not supplied. Refer to Hazardous Location Application Data chart to verify suitability. Add suffix "Q" to fixture catalog number.

**Ballast Protection Cutout**

Optional factory installed special ballast protector replaces the standard HPS ignitor and applies starting pulse to the lamp for 10 to 15 seconds each time voltage is supplied to the ballast. If the lamp has not ignited by the end of the time period, the starter will cease pulsing. Used to eliminate the continuous high voltage pulsing of the ignitor when end of life, lamp cycling, or missing lamp conditions exist. Available for 70, 100, 150, 250 and 400 watt HPS fixtures. Add suffix "BP" to fixture catalog number.



**FACTORY SEALED**  
 Class I, DIV. 1 BCD  
 Class II, DIV. 1&2 EFG  
 CLASS III  
 NEMA 3, 4X IP66  
 \*40°C ambient T3 Rated

**PHOTO CELL FIELD KITS WITH HKB - GL BOX AND COVER**

VMHKPC1	120VAC
VMHKPC2	208-277VAC
VMHKPC3	347VAC

Notes: BP & R cannot be used together.  
 Q & R cannot be used together.



# LIGHTING

## COMPONENT PARTS/ACCESSORIES

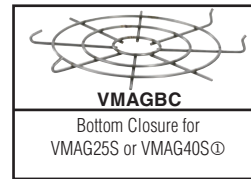


EZG1



VMAG40S

GUARDS				
CATALOG NUMBER	SERIES	LAMP TYPE	WATTAGE	DESCRIPTION
EZG1	EZS	HPS	50-150	Painted cast aluminum
	EZH	MH	70-250	
	EZP	MHP	150, 175, 250	
VMAG40S	EZH	MH	400	Cadmium plated steel
	EZP	MHP	320-400	



<sup>Ⓢ</sup> For VMAG40S with bottom closure order part number VMAG40SBC.



VMPD40



EZTB



VMPA40



HRD400  
HRD400ALZ (pictured)



EZCB



EZMO

REFLECTORS	
CATALOG NUMBER	DESCRIPTION
VMPD40	Standard dome. fiberglass reinforced polyester
VMPA40	30° Angle fiberglass reinforced polyester
HRD400	Deep dome. Aluminum with white finish <sup>Ⓢ</sup>
HRD400ALZ	Deep dome with specular anodized finish <sup>Ⓢ</sup>

REPLACEMENT CONNECTION BLOCKS AND LAMP SOCKET	
CATALOG NUMBER	DESCRIPTION
EZTB	Female (goes in splice box)
EZCB	Male (goes in top of fixture body)
EZMO	Replacement lamp socket with gasket

<sup>Ⓢ</sup> For clearance, wall mount models require standoff of 1/2" if not bottom feed; 1-1/2" if bottom feed.



## BALLAST HOUSING WITH GLOBE SUPPORT ASSEMBLY



Housing Globe & Globe Support Assemblies

### FEATURES-SPECIFICATIONS

HPS HOUSING GLOBE & GLOBE SUPPORT ASSEMBLIES <sup>①</sup>			
WATTS	ANSI LAMP TYPE	VOLTAGE	CATALOG NUMBER
50	S-68/HPS	120, 208, 240, 277/60Hz	<b>EZS050</b>
		220, 240V/50Hz	<b>EZS058</b>
70	S-62/HPS	120, 208, 240, 277/60Hz	<b>EZS070</b>
		480 60Hz	<b>EZS075</b>
		120, 277, 347/60Hz	<b>EZS076</b>
		220, 240V/50Hz	<b>EZS078</b>
100	S-54/HPS	120, 208, 240, 277/60Hz	<b>EZS100</b>
		480 60Hz	<b>EZS105</b>
		120, 277, 347/60Hz	<b>EZS106</b>
		220, 240V/50Hz	<b>EZS108</b>
150	S-55/HPS	120, 208, 240, 277/60Hz	<b>EZS150</b>
		480 60Hz	<b>EZS155</b>
		120, 277, 347/60Hz	<b>EZS156</b>
		220, 240V/50Hz	<b>EZS158</b>
250	S-50/HPS	120, 208, 240, 277/60Hz	<b>EZS250</b>
		480 60Hz	<b>EZS255</b>
		120, 277, 347/60Hz	<b>EZS256</b>
		220, 240V/50Hz	<b>EZS258</b>
400	S-51/HPS	120, 208, 240, 277/60Hz	<b>EZS400</b>
		480 60Hz	<b>EZS405</b>
		120, 277, 347/60Hz	<b>EZS406</b>
		220, 240V/50Hz	<b>EZS408</b>

<sup>①</sup> HPS and MH assemblies may be ordered with the CEN (CENELEC) suffix; see page L160 for more information.

METAL HALIDE HOUSING GLOBE & GLOBE SUPPORT ASSEMBLIES <sup>①</sup>			
WATTS	ANSI LAMP TYPE	VOLTAGE	CATALOG NUMBER
70	M-98/MH	120, 208, 240, 277/60Hz	<b>EZH070</b>
		120, 277, 347V/60Hz	<b>EZH076</b>
		480 60Hz	<b>EZH075</b>
		220/240V/50Hz	<b>EZH078</b>
100	M-90/MH	120, 208, 240, 277/60Hz	<b>EZH100</b>
		120, 347V/60Hz	<b>EZH106</b>
		120, 220, 240V/50Hz	<b>EZH108</b>
		480 60Hz	<b>EZH105</b>
175	M-57/MH	120, 208, 240, 277/60Hz	<b>EZH170</b>
		480 60Hz	<b>EZH175</b>
		120, 277, 347V/60Hz	<b>EZH176</b>
		220, 240V/50Hz	<b>EZH178</b>
250	M-58/MH	120, 208, 240, 277/60Hz	<b>EZH250</b>
		480 60Hz	<b>EZH255</b>
		120, 277, 347V/60Hz	<b>EZH256</b>
		220, 240V/50Hz	<b>EZH258</b>
400	M-59/MH	120, 208, 240, 277/60Hz	<b>EZH400</b>
		480 60Hz	<b>EZH405</b>
		120, 277, 347V/60Hz	<b>EZH406</b>
		220, 240V/50Hz	<b>EZH408</b>

PULSE START HOUSING GLOBE & GLOBE SUPPORT ASSEMBLIES			
WATTS	ANSI LAMP TYPE	VOLTAGE	CATALOG NUMBER
175 <sup>②</sup>	M137/MHP	120, 208, 240, 277/60Hz	<b>EZP170</b>
		480	<b>EZP175</b>
		120, 277, 347V/60Hz	<b>EZP176</b>
250	M138/MHP	120, 208, 240, 277/60Hz	<b>EZP250</b>
		480	<b>EZP255</b>
		120, 277, 347V/60Hz	<b>EZP256</b>
		220, 240V/50Hz	<b>EZP258</b>
320	M132/MHP	120, 208, 240, 277/60Hz	<b>EZP320</b>
		480	<b>EZP325</b>
		120, 277, 347V/60Hz	<b>EZP326</b>
		220, 240V/50Hz	<b>EZP328</b>
350	M131/MHP	120, 208, 240, 277/60Hz	<b>EZP350</b>
		480	<b>EZP355</b>
		120, 277, 347V/60Hz	<b>EZP356</b>
		220, 240V/50Hz	<b>EZP358</b>
400	M135/MHP	120, 208, 240, 277/60Hz	<b>EZP400</b>
		480	<b>EZP405</b>
		120, 277, 347V/60Hz	<b>EZP406</b>
		220, 240V/50Hz	<b>EZP408</b>

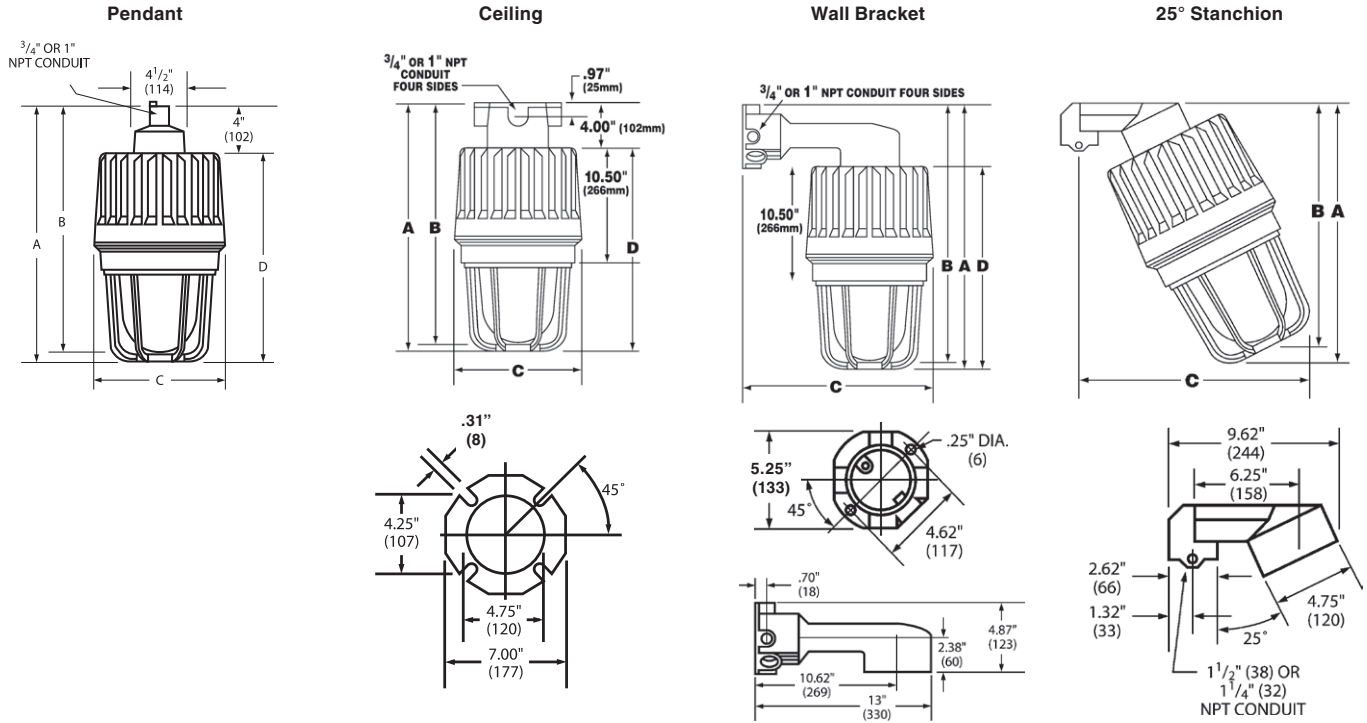
<sup>②</sup> For 150 Watt, change "7" to "5" in catalog number. Example EZP150.

NOTE: See pages L141 - L142 for ballast data & fuse kit information.



# LIGHTING

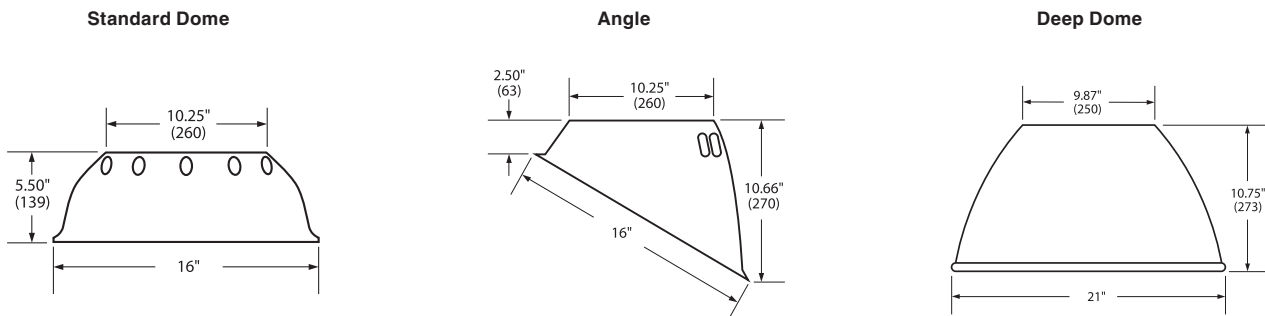
## DIMENSIONS



MOUNTING DIMENSIONS															
	PENDANT				CEILING				BRACKET				STANCHION		
	A	B	C	D	A	B	C	D	A	B	C	D	A	B	C
50-250W* EZL LED	22" (558)	21-1/4" (539)	11-1/4" (285)	18" (457)	22" (558)	21-1/4" (539)	11-1/4" (285)	18" (457)	22-7/8" (580)	22-1/8" (561)	16-3/4" (425)	18" (457)	24-7/8" (631)	24" (609)	19-13/16" (503)
250-400W**	26-1/4" (666)	24-1/4" (615)	11-1/4" (285)	22-1/4" (565)	26-1/4" (666)	24-1/4" (615)	11-1/4" (285)	22-1/4" (565)	26-7/8" (682)	24-7/8" (631)	16-3/4" (425)	22-1/4" (565)	28-1/2" (724)	26-11/16" (678)	21-1/2" (546)

\* 50, 70, 100, and 150W HPS; 70, 100, 175 and 250W MH; 150, 175, 250W MHP.  
 \*\* 250 and 400W HPS, 400W MH; 320, 350, 400W MHP.

### Reflector Dimensions







## CLASS I APPLICATION DATA FOR HAZARDOUS LOCATIONS



### CEN Options

### Applications

Killark EZ series fixtures are available with a European "Certificate of Conformity" from PTB (Physikalisch-Technische Bundesanstalt), the approval agency based in Germany. Fixtures with this rating will be useful for Original Equipment Manufacturers and others who build and ship apparatus into European markets.

This approval is granted by PTB with the use of a special ground lug and label. Fixtures carrying an EEx d IIB approval are automatically granted an IP54 (ingress protection) rating. See Temperature Code chart below for PTB certified ratings. Killark EZ fixtures with the PTB rating and labels still carry all UL & CSA ratings.

Fixture housing/globe/globe support assemblies (e.g. EMS050 CEN) may be ordered with the CEN suffix. Complete fixture numbers, with the CEN suffix, will be shipped with the mounting boxes, guards and accessories as component parts. Reflectors and other accessory parts, as listed on page L157, may be used. Killark fixtures are NPT tapped and plugged with at least one conduit hole open.

### Compliances

- EN 50014:1992
- EN 50018:1994

 **EEx d IIB T6 (or T5-T2)**  
PTB No. Ex-98.E.1076

EZ HAZARDOUS LOCATION DATA—CLASS I, DIVISIONS 1 & 2 ①②④							
LAMP			RATED AMBIENT °C	SUPPLY WIRE SUITABLE FOR °C MIN.	CLASS I, DIVISIONS 1 & 2 MAXIMUM SURFACE TEMPERATURE UL/CSA		
SERIES	TYPE	WATTS			TEMP. I.D. W/O QTZ.	TEMP. I.D. W/QTZ. L	UL/CSA GROUPS
EZH	HPS	50	40	85	T5	T4	C,D
			55	85	T5	N/A	C,D
			65	85	T4A	N/A	C,D
		70	40	85	T5	T4	C,D
			55	85	T5	N/A	C,D
			65	85	T4A	N/A	C,D
		100	40	85	T5	T4	C,D
			55	85	T5	N/A	C,D
			65	85	T4A	N/A	C,D
		150	40	85	T4A	T4	C,D
			55	85	T4A	N/A	C,D
			65	85	T4	N/A	C,D
250	40	85	T3C	T3C	C,D		
	55	85	T3C	N/A	C,D		
	40	85	T3C	T3C	C,D		
EZH	MH	70	40	85	T4A	N/A	C,D
			55	85	T4A	N/A	C,D
			65	85	T4A	N/A	C,D
		100	40	85	T4A	N/A	C,D
			55	85	T4A	N/A	C,D
			65	85	T4A	N/A	C,D
		175	40	85	T4	T3C	C,D
			55	85	T4	N/A	C,D
			40	85	T3C	T3C	C,D
		250	40	85	T3C	T3C	C,D
			55	85	T3C	N/A	C,D
			40	85	T3A	T3A	C,D
EZH	MHP	150 or 175	40	85	T4	T3C	C,D
			55	85	T4	N/A	C,D
		250	40	85	T3C	T3C	C,D
			55	25	T3C	N/A	C,D
		320	40	85	T3A	T3A	C,D
		350	40	85	T3A	T3A	C,D
		400	40	85	T3A	T3A	C,D

Notes for Class I, II, III Application Data Tables.

① Instant restrike limited to 55°C ambient maximum.

\* ② Temperature code ID marked with an asterisk on Class II table are listed for simultaneous use in Class I, Groups C, D, and Class II, Groups E, F, G or Groups E, F.

③ Fixtures marked "N/A" not suitable for Class II applications when supplied with auxiliary quartz.

④ See Class II table for fixtures suitable for locations having deposits of readily combustible paint residue (paint spray booths).

Do not install where marked operating temperature exceeds ignition temperature of hazardous atmosphere.

MAXIMUM AMBIENT TEMPERATURE RANGE - 20° C TO 40° C				
TYPE OF LUMINAIRE	TYPE OF ENCLOSURE	FORM OF THE LAMP	MAXIMUM WATTAGE	TEMPERATURE CLASS
EZH50	EZx25	ED28/M-110	50W	T4
EZH70	EZx25	ED28/M-98	70W	T4
EZH10	EZx25	ED28/M-90	100W	T4
EZH15	EZx25	ED28/M-102	150W	T4
EZH17	EZx25	ED28/M-57	175W	T4
EZH25	EZx25	ED28/M-58	250W	T3
EZH40	EZx40	ED37/M-59	400W	T3
EZS50	EZx25	ED23-1/2/S-68	50W	T4
EZS70	EZx25	ED23-1/2/S-62	70W	T4
EZS10	EZx25	ED23-1/2/S-54	100W	T4
EZS15	EZx25	ED23-1/2/S-55	150W	T4
EZS25	EZx40	ED18/S-50	250W	T3
EZS40	EZx40	ED18/S-51	400W	T3



CLASS II/III APPLICATION DATA FOR HAZARDOUS LOCATIONS

EZ HAZARDOUS LOCATION DATA- CLASS II & III, DIVISIONS 1 & 2 ①②														
LAMP			RATED AMBIENT °C	SUPPLY WIRE SUITABLE FOR C°	CLASS II, DIV. 1 & 2, MAX. SURFACE TEMP. UL/CSA SUITABILITY				CLASS III, DIV. 1 & 2 UL/CSA SUITABILITY		UL-595 MARINE	U.L. PAINT SPRAY SUITABILITY③	UL/CSA TYPE 3 (RAINTIGHT)	UL/CSA TYPE 4 (HOSEDOWN)
LAMP					TEMP. I.D. W/O QTZ.	TEMP. I.D. WITH QTZ③	GROUPS		W/O QTZ. WITH QTZ. ③					
							W/O QTZ.	WITH QTZL	W/O QTZ.	WITH QTZ. ③				
EZS	HPS	50	40	85	T3C*	T3B*	E,F	E,F,G	YES	YES	YES	YES	YES	YES
			85	85	T3C*	N/A	E,F	N/A	YES	NO	YES	NO	YES	YES
			55	85	T3B*	N/A	E,F,G	N/A	YES	NO	YES	NO	YES	YES
EZS	HPS	70	85	T3C*	T3B*	E,F,G	E,F,G	YES	NO	YES	YES	YES	YES	YES
			55	85	T3C*	N/A	E,F	N/A	YES	NO	YES	NO	YES	YES
			65	85	T3B*	N/A	E,F,G	N/A	YES	YES	YES	NO	YES	YES
EZS	HPS	100	40	85	T3C*	T3B*	E,F,G	E,F,G	YES	NO	YES	YES	YES	YES
			55	85	T3C*	N/A	E,F,G	N/A	YES	NO	YES	NO	YES	YES
			65	85	T3B	N/A	E,F,G	N/A	YES	YES	YES	NO	YES	YES
EZS	HPS	150	40	85	T3C*	T3B*	E,F,G	E,F,G	YES	YES	YES	NO	YES	YES
			55	85	T3C*	N/A	E,F	N/A	YES	YES	YES	NO	YES	YES
			65	85	T3B*	N/A	E,F,G	N/A	YES	YES	YES	NO	YES	YES
EZS	HPS	250	40	85	T3	T3	E,F	E,F	NO	NO	YES	NO	YES	YES
EZS	HPS	400	40	85	N/A	N/A	N/A	N/A	NO	NO	YES	NO	YES	YES
EZH	MH	70	40	85	T4A	N/A	E,F	N/A	YES	NO	YES	YES	YES	YES
			55	85	T4	N/A	E,F,G	N/A	YES	NO	YES	NO	YES	YES
			65	85	T3C	N/A	E,F	N/A	YES	NO	YES	NO	YES	YES
EZH	MH	100	40	85	T4A	N/A	E,F,G	N/A	YES	NO	YES	YES	YES	YES
			55	85	T4	N/A	E,F,G	N/A	YES	NO	YES	NO	YES	YES
			65	85	T3C	N/A	E,F,G	N/A	YES	NO	YES	NO	YES	YES
EZH	MH	175	40	85	T3C*	T3A*	E,F,G	N/A	YES	NO	YES	NO	YES	YES
			55	85	T3C*	N/A	E,F,G	N/A	YES	NO	YES	NO	YES	YES
EZH	MH	250	40	85	N/A	N/A	N/A	N/A	NO	NO	YES	NO	YES	YES
EZH	MH	400	40	85	N/A	N/A	N/A	N/A	NO	NO	YES	NO	YES	YES
EZP	MHP	150 or 175	40	85	T3C*	T3A*	E,F,G	EF	YES	NO	YES	NO	YES	YES
			55	85	T3C*	N/A	E,F,G	N/A	YES	NO	YES	NO	YES	YES
EZP	MHP	250	40	85	N/A	N/A	N/A	N/A	NO	NO	YES	NO	YES	YES
EZP	MHP	320,350	40	85	N/A	N/A	N/A	N/A	NO	NO	YES	NO	YES	YES
EZP	MHP	400	40	85	N/A	N/A	N/A	N/A	NO	NO	YES	NO	YES	YES

Notes for Class I, II, III Application Data Tables.

① Instant restrike limited to 55°C ambient maximum.

\* ② Temperature code ID marked with an asterisk on Class II table are listed for simultaneous use in Class I, Groups C, D, and Class II, Groups E, F, G or Groups E, F.

③ Fixtures marked "NO" or "N/A" are not suitable for Class II or III applications when supplied with auxiliary quartz.

④ Suitability for locations having deposits of readily combustible paint residue (paint spray booths).

Do not install where marked operating temperature exceeds ignition temperature of hazardous atmosphere.

TABLE N.E.C. 500 - 5 (D)

I.D. NUMBER	DEGREES C	DEGREES F
T1	450	842
T2	300	572
T2A	280	536
T2B	260	500
T2C	230	446
T2D	215	419
T3	200	392
T3A	180	356
T3B	165	329
T3C	160	320
T4	135	275
T4A	120	248
T5	100	212
T6	85	185