



FLOODLIGHT MOUNTS

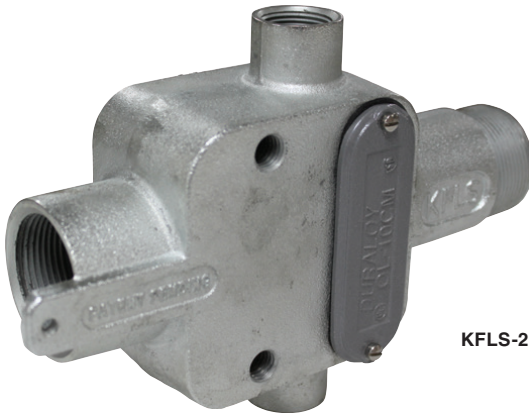
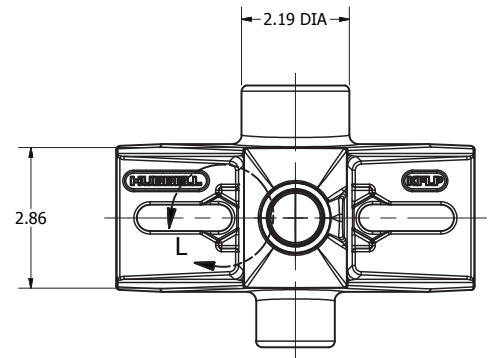
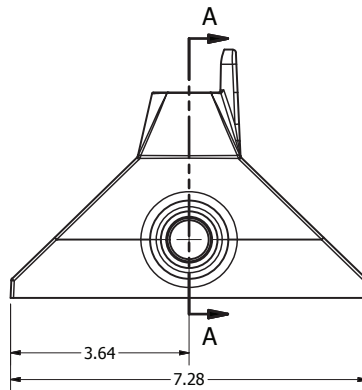


KFLP-23

Class I, Div. 1&2, Groups A, B, C, D
 Class II, Div. 1&2, Groups E, F, G
 Class III
 Suitable for wet locations Types 3, 4 IP66

Features:

- Zinc Plated ductile iron
- Stainless Steel Set Screw prevents accidental loosening due to vibration
- Indention in slot to prevent the nut from moving for one handed tightening during installation
- 1" or 3/4" NPT Conduit
- 3/4" NPT Cord Connector or Flexible Coupling
- Splice box wiring hole with cover for wiring access
- Earthquake tab
- Supports 125 lbs.



KFLS-25

Suitable for wet locations when used with gasketed covers.
 Federal Specification W-C-586D/A-A 50563.
 Suitable for use in hazardous location applications when installed according to NEC Articles 501.10(b), Class I, Div. 2, (Suitable for use in Class I Zone 2 applications) 502.10 and 503.10.

Features:

- Zinc Plated ductile iron
- Stainless Steel Set Screw prevents accidental loosening due to vibration
- 1.5", 1" or 3/4" NPT Conduit
- (2) - 3/4" NPT Cord Connector or Flexible Coupling
- Stackable; allowing up-to 4 positions to mount a floodlight
- Splice box wiring hole with cover for wiring access
- Supports 125 lbs.

