



KDE SERIES DRAIN BREATHER



KDES60M20



KDEGF0M20

Class I, Div. 2, Groups A, B, C, D
 Class I, Zone 1 & 2, Ex e / AEx e IIC,
 A/Ex tb
 Class II, Div. 1① & 2, Groups E, F, G
 Class III, Ambient Temperature Range
 -55°C to +80°C
 Enclosure Type 3, 4 & 4X② IP66



SP US 2714851

II 2 G D CE 0518

Ex e IIC Gb

Ex tb IIIC Db IP66

Ta = -55°C to +80°C

Seguranca IEx 15.0154X

CML 15ATEX3028X

IEEx QPS 15.0002X

PATENT PENDING

FEATURES-SPECIFICATIONS

Applications

When installed in the bottom of a thin wall enclosure the KDE allows water from condensation to drain continuously out of the enclosure. The drain breathers are installed through clearance holes and held secured with an internal locknut. The silicone external o ring makes a hose down tight seal.

Features

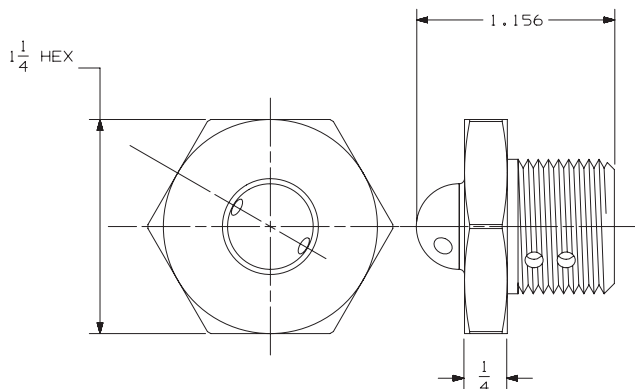
- Silicone o-ring supplied as standard and suitable for use in a -55°C to +80°C temperature range.
- Variety of thread sizes 1/2 & 3/4 NPT, 1/2 & 3/4 NPSM, M20 & M25.
- Available in 300 series stainless steel, 316 stainless steel, aluminum and 30% glass filled nylon.
- Internal 316 stainless steel locknut supplied as standard. When tighten to the proper torque the joint makes a hose down tight seal for type 4, 4X & IP66 application.

Materials

- 303 or 304 stainless steel, 316 stainless steel, brass, aluminum or 30% glass filled nylon.
- Internal locknut 316 stainless steel.
- High temp silicone o-ring

MATERIAL / CATALOG NUMBER					
ENTRY THREAD SIZE & TYPE	GLASS FILLED PA6 NYLON	ALUMINUM	316 STAINLESS STEEL	BRASS	NICKEL PLATED BRASS
M20	KDEGF0M20	KDEAL0M20	KDES60M20	KDEBR0M20	KDEBR1M20
M25	KDEGF0M25	KDEAL0M25	KDES60M25	KDEBR0M25	KDEBR1M25
1/2" NPT	KDEGF0050	KDEAL0050	KDES60050	KDEBR0050	KDEBR1050
3/4" NPT	KDEGF0075	KDEAL0075	KDES60075	KDEBR0075	KDEBR1075

Note: Other thread forms and materials available upon request.



① Class II Div. 1 Canada only, Div. 2 in the U.S.

② Type 4X in 316 & 304 SS, Aluminum & Nylon materials only.