

# LIGHTING

KFLH SERIES



## C1D2 FLOOD – INTRODUCTION & LOGIC



Class I, Div. 2, Groups A, B, C, D  
 Class I, Zone 2, IIC, IIB, IIA  
 Class II, Div. 1 & 2, Groups E, F, G  
 Class III  
 Suitable for wet locations  
 Marine Rated (US only)  
 Type 3, 4X  
 IP66

IEC Ex Rated Model (w/ IEX suffix)  
 Zone 2 and Zone 21 areas  
 Ex nA IIC T6...T3, Gc  
 Ex tb IIC T105°C Db  
 Tamb -50°C < Ta < +55°C, IP66

IECEx Certificate  
 QPS 15.0011



ATEX Certificate  
 CML 15ATEX4079X (nA)  
 &  
 CML 15ATEX3080X (tb)

### PETROBRIGHT® LED FEATURES-SPECIFICATIONS

#### Applications

LED Floods are designed for installations where moisture, dirt, dust, corrosion and vibration may be present, or Type 3 and 4X areas where wind, water, snow or high ambients can be expected. They can be used in locations made hazardous by the presence of flammable vapors or gases or combustible dusts as defined by the NEC/CEC/IECEx/ATEX & INMETRO.

Typical applications include manufacturing plants, and certain chemical and petrochemical processing facilities, sewage treatment plants, off-shore and dockside installations, garages and storage facilities.

#### Compliances

- UL-8750 for LED lighting
- ANSI/UL 1598(A)
- UL-844 Standard for lighting fixtures for hazardous locations, Class I, Division 2; Class II, Divisions 1 and 2; Class III
- CSA C22.2 no. 137-M1981 electric luminaires for use in hazardous locations
- Enclosed and gasketed
- Type 3, 4X
- IP66

#### Materials

- Body and lens frame corrosion resistant copper-free aluminum alloy with baked powder epoxy/polyester finish, electrostatically applied for complete, uniform corrosion protection
- All external hardware – stainless steel
- Thermal shock and impact resistant glass lens (Polycarbonate available)
- High temperature silicone gasketing
- Trunnion heavy gauge 316 stainless steel

#### LED Flood Features and Standards

Supplemental **20KA/10KV Surge Protection** is **standard** (for 120-277 VAC models)  
**10KA/10KV Surge Protection** (for 347-480 VAC)

- Crisp White Light for Excellent Color Rendering – Chromaticity 5000K (CCT); approx. 70 CRI
- Energy Savings – High lumens per watt
- LED Array Life – 100,000+ hours with 70% initial lumens
- Long Fixture Life – 50,000 - 55,000 maintenance free hours
- Ambient suitability -40°C to 55°C up to 250W to -50°C for non-hazardous applications
- Instant On – Including after power interruption
- World Voltage 120 – 277VAC 50/60Hz
- Solder-LESS LED Board Connections – Vibration Resistant

#### PATENTED LENS and REFLECTOR DESIGN

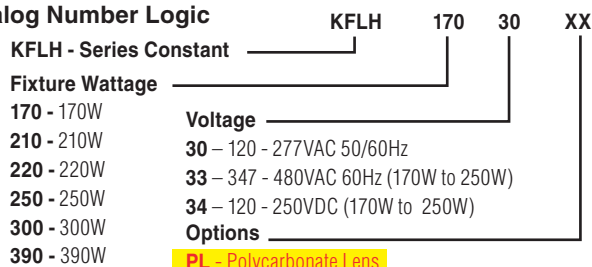


KFLH Luminaire



Dark Sky Visor KFLH-DARK

#### Catalog Number Logic

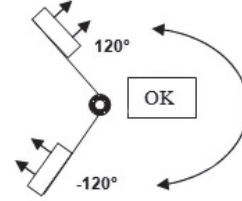


- F - Single Fuse (Not for use in Canada)
- FF - Double Fuse (Not for use in Canada)
- TBL - Terminal Blocks **Looping**
- P1 - 120V Photocell, factory installed
- P2 - 208V-277V Photocell, factory installed
- P3 - 347V Photocell, factory installed
- IEX - IEXEx includes TBL & External ground

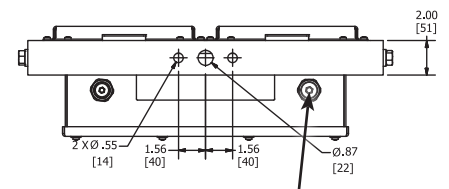
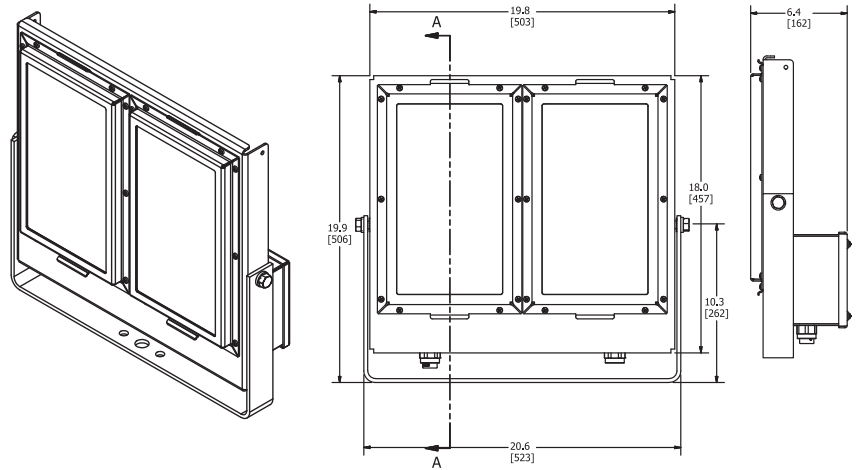


## C1D2 FLOOD – ORDERING INFORMATION & TECHNICAL DATA

ORDERING INFORMATION AND AMBIENT SUITABILITY						C1D2 (C1Z2)		C1D2 SIMULTANEOUS		C2D1		L70	
CATALOG NO.	WEIGHT LBS./KG	WATTS	VOLTAGE	AMPS	DELIVERED LUMENS	40°C	55°C	40°C	55°C	40°C	55°C	TM-21	CALCULATED
KFLH17030	25.00 / 11.3	170	120-277VAC	1.46-0.63	21620	T4A (T4)	T4	T4	T3C	T4	T3C	72600	278000
KFLH17033			347-480VAC	0.51-0.36			-		-		-		
KFLH17034			120-250VDC	1.46-0.56			T4		T3C		T3C		
KFLH21030		210	120-277VAC	1.75-0.75	21220	T4A (T4)	T4	T4	T3C	T4	T3C	60100	270000
KFLH21033			347-480VAC	0.61-0.43			-		-		-		
KFLH21034			120-250VDC	1.75-0.68			T4		T3C		T3C		
KFLH22030		220	120-277VAC	1.88-0.81	26970	T4A (T4)	T4	T4	T3C	T4	T3C	72600	278000
KFLH22033			347-480VAC	0.65-0.47			-		-		-		
KFLH22034			120-250VDC	1.88-0.73			T4		T3C		T3C		
KFLH25030		250	120-277VAC	2.17-0.94	30950	T4A (T4)	T4	T4	T3C	T4	T3C	72600	278000
KFLH25033			347-480VAC	0.75-0.54			-		-		-		
KFLH25034			120-250VDC	2.17-0.85			T4		T3C		T3C		
KFLH30030		300	120-277VAC	2.48-1.07	37030	T4A (T4)	T4	-	-	-	-	60300	107000
KFLH39030		390	120-277VAC	3.30-1.43	40410	T4A (T4)	T4	-	-	-	-	60300	190000



KFLH MOUNTS AND ACCESSORIES	
CATALOG NUMBER	DESCRIPTION
KFS-6	Steel Slipfitter for 2" Pipe (2-3/8" o.d.) Tenon. Slips 3.75" Over Pipe.
KFCB	Heavy Duty Cast-Iron Crossarm Fitting for Horizontal Trunnion
KFWB	Heavy Duty Wall Mount and/or Pipe Clamp Fitting Clamps 2" Pipe (2-3/8" o.d.) Through 2-1/2" Pipe (2-7/8" o.d.)
K4040	Heavy Duty Steel Wall Bracket. (Must be with KFCB Crossarm Fitting)
4041	Heavy Duty Steel Wall Bracket 2" Pipe (2-3/8" o.d.) Tenon Fitting. Use with KFS-6
KFLG	Wire Guard, 316 Stainless Steel (order 2 per fixture)
VMSC10	10' Stainless Steel Safety Cable with loop grip
KFLH-DARK	Dark Sky Visor, White Painted Aluminum
KFLH-DOOR	Replacement Internal Reflector and Lens Assembly (order 2 per fixture as required)



2-M20 slip holes supplied with 3/4" NPT adapters with one plugged.