

LIGHTING

KFL SERIES



C1D2 FLOOD – INTRODUCTION & LOGIC



PETROBRIGHT® LED

FEATURES-SPECIFICATIONS

Applications

LED Floods are designed for installations where moisture, dirt, dust, corrosion and vibration may be present, or Type 3 and 4X areas where wind, water, snow, or high ambients can be expected. They can be used in locations made hazardous by the presence of flammable vapors or gases or combustible dusts as defined by the NEC/CEC/IECEX/ATEX & INMETRO.

Typical applications include manufacturing plants, and certain chemical and petrochemical processing facilities, sewage treatment plants, off-shore and dockside installations, garages and storage facilities.

Compliances

- UL-8750 for LED lighting
- ANSI/UL 1598(A)
- UL-844 Standard for lighting fixtures for hazardous locations, Class I, Division 2; Class II, Divisions 1 and 2; Class III
- CSA C22.2 no. 137-M1981 electric luminaires for use in hazardous locations
- Enclosed and gasketed
- Type 3, 4X
- IP66
- IEX suffix Zone 2/21 to IEC 60079-0, 60079-15, 60079-31 Standards

Materials

- Body, end caps and lens frame corrosion resistant copper-free aluminum alloy with baked powder epoxy/polyester finish, electrostatically applied for complete, uniform corrosion protection
- All external hardware - stainless steel
- Thermal shock and impact resistant glass lens
- High temperature silicone gasketing
- Trunnion heavy gauge galvanized steel with painted finish



LED Flood Features and Standards

Supplemental **20KA/10KV Surge Protection** is **standard** (for 120-277 VAC models)
10KA/10KV Surge Protection (for 347-480 VAC)

- Crisp White Light for Excellent Color Rendering - Chromaticity 5000K (CCT); approx. 70 CRI
- Energy Savings – High lumens per watt
- LED Array Life – 100,000+ hours with 70% initial lumens
- Long Fixture Life – 50,000 - 55,000 maintenance free hours
- Ambient suitability -50°C to 55°C up to 125W
- Instant On – Including after power interruption
- World Voltage 120 – 277VAC 50/60Hz
- Solder-LESS LED Board Connections – Vibration Resistant

Class I, Div. 2, Groups A,B,C,D
 Class II, Div. 1&2, Groups EFG
 Class III
 Suitable for wet locations
 Marine Rated (US Only)
 Type 3, 4X
 IP66

CS US File LR11713

IEC Ex Rated model (w/IEX suffix)
 Zone 2 and Zone 21 areas
 Ex nA IIC T6...T3, Gc
 Ex tb IIC T160°C Db
 Tamb -50°C <Ta<+55°C, IP66

IECEX Certificate
 CSA 14.0002X

ATEX Certificate
 CML 14ATEX3087/4088

PATENTED LUMINAIRE DESIGN



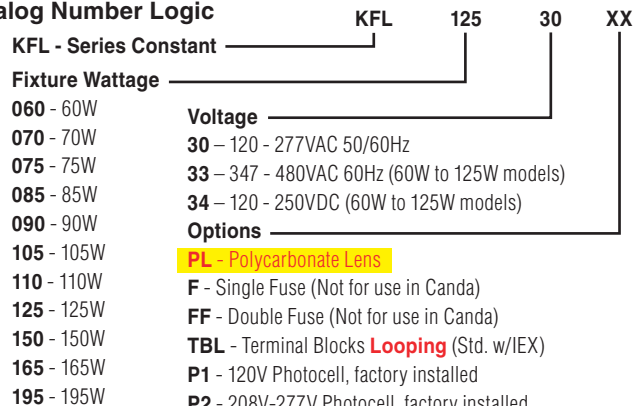
KFL with KFS-6 Slipfitter mount on 2" pipe



Dark Sky Visor
 KFL-DARK

IEX Units include Qty. 3 6mm terminals plus external ground as standard

Catalog Number Logic



PL - Polycarbonate Lens

- F - Single Fuse (Not for use in Canada)
- FF - Double Fuse (Not for use in Canada)
- TBL - Terminal Blocks **Looping** (Std. w/IEX)
- P1 - 120V Photocell, factory installed
- P2 - 208V-277V Photocell, factory installed
- P3 - 347V Photocell, factory installed

- D20 - 2x M20 entries
- D25 - 2x M25 entries
- D75 - 2 x 3/4" NPT

SY - 316 SS Yoke
 IEX - IECEX & ATEX includes TBL and External Ground (to 125W)



Consult website for current list of approved luminaires



C1D2 FLOOD – ORDERING INFORMATION & TECHNICAL DATA

ORDERING INFORMATION AND AMBIENT SUITABILITY					C1D2		C1D2 SIMULTANEOUS		C2D1		IEC ZONE 2		IEC ZONE 21		L70		
CATALOG NO.	WEIGHT LBS./KG	WATTS	VOLTAGE	AMPS	DELIVERED LUMENS	40°C	55°C	40°C	55°C	40°C	55°C	40°C	55°C	40°C	55°C	TM-21	CALCULATED
KFL06030	30.00 / 13.61	60	120-277VAC	0.50-0.20	6111	T6	T5	T3C	T3C	T3C (EFG)	T3C (EFG)	T6	T5	145	160	60100	270000
KFL07030		70	120-277VAC	0.60-0.30	9742	T6	T5	T3C	T3C	T3C (EFG)	T3C (EFG)	T6	T5	145	160	72600	278000
KFL07530		75	120-277VAC	0.60-0.30	7454	T6	T5	T3C	T3C	T3C (EFG)	T3C (EFG)	T6	T5	145	160	60100	270000
KFL08530		85	120-277VAC	0.70-0.30	10840	T6	T5	T3C	T3C	T3C (EFG)	T3C (EFG)	T6	T5	145	160	72600	278000
KFL08533			347-480VAC	0.24-0.17													
KFL08534			120-250VDC	0.70-0.27													
KFL09030		90	120-277VAC	0.80-0.40	9023	T6	T5	T3C	T3C	T3C (EFG)	T3C (EFG)	T6	T5	145	160	60100	270000
KFL09033			347-480VAC	0.28-0.23													
KFL09034			120-250VDC	0.80-0.36													
KFL10530		105	120-277VAC	0.90-0.40	10370	T4A	T4A	T3C	T3C	T3C (EFG)	T3C (EFG)	T4	T4	145	160	60100	270000
KFL10533			347-480VAC	0.31-0.23													
KFL10534			120-250VDC	0.90-0.36													
KFL11030		110	120-277VAC	0.90-0.40	13780	T6	T5	T3C	T3C	T3C (EFG)	T3C (EFG)	T6	T5	145	160	72600	278000
KFL11033			347-480VAC	0.31-0.23													
KFL11034			120-250VDC	0.90-0.36													
KFL12530		125	120-277VAC	1.00-0.50	15340	T6	T5	T3C	T3C	T3C (EFG)	T3C (EFG)	T6	T5	145	160	72600	278000
KFL12533			347-480VAC	0.35-0.29													
KFL12534			120-250VDC	1.00-0.45													
KFL15030		150	120-277VAC	1.25-0.54	18550	T5	-	T3C	-	T3C (EFG)	-	T5	T5	160	160	60300	190000
KFL16530		165	120-277VAC	1.38-0.60	19220	T5	-	T3C	-	T3C (EFG)	-	T5	T4	160	160	72600	278000
KFL19530	195	120-277VAC	1.63-0.70	21940	T5	-	T3C	-	T3C (EFG)	-	T5	T4	160	160	72600	278000	

KFL MOUNTS AND ACCESSORIES

CATALOG NUMBER	DESCRIPTION
KFS-6	Steel Slipfitter for 2" Pipe (2-3/8" o.d.) Tenon. Slips 3.75" Over Pipe.
KFCB	Heavy Duty Cast-Iron Crossarm Fitting for Horizontal Trunnion
KFWB	Heavy Duty Wall Mount and/or Pipe Clamp Fitting Clamps 2" Pipe (2-3/8" o.d.) Through 2-1/2" Pipe (2-7/8" o.d.)
K4040	Heavy Duty Steel Wall Bracket. (Must be with KFCB Crossarm Fitting)
4041	Heavy Duty Steel Wall Bracket 2" Pipe (2-3/8" o.d.) Tenon Fitting. Uses with KFS-6
KFLG	Wire Guard, 316 Stainless Steel (not used with KFL-DARK)
VMSC10	10' Stainless Steel Safety Cable with loop grip
KFL-DARK	Dark Sky Visor, White Painted Aluminum (not used with KFLG)
KFL-DOOR	Replacement Door and Lens Assembly (for units w/o internal reflectors)
KFL-DOOR2	Replacement Internal Reflector and Lens Assembly



Dimensions

