

# LIGHTING

**KFSS SERIES**



## MARINE FLOODLIGHTS, 150-400W HID



**Class I Div. 2, Groups A,B,C,D\***  
**AEx nR/Ex nR\*\***  
**Class I Zone 2, IIC, IIB, IIA\***

- UL 1598 HID Marine for Wet Locations  
UL 844 Hazardous Locations
- CSA C22.2 9.9-9.6 General Requirements  
CSA C22.2 137-M1981 Hazardous Locations  
CSA Enclosure type IP66/67

**ABS** Type Approval for Shipboard Use  
\* Consult temperature data table on next page to determine application suitability.

### FEATURES-SPECIFICATIONS



#### Applications

- Offshore production platforms
- Refineries
- Offshore drilling rigs and barges
- Ocean-going vessels
- Commercial fishing vessels
- Ports, wharfs and jetties
- Waste water and sewage treatment facilities
- Any type of washdown, corrosive, abrasive, or dirty environment.

#### Features and Benefits

- Type 316 Stainless Steel Housing. 16-gauge housing ensures low corrosion and long life, reducing maintenance costs
- Rugged quick-release 316 SS Lens Latches. No hardware seizing on disassembly saves maintenance time and money. Only tool needed is a screwdriver
- 316 SS Safety Lens Door Chains. Enables hands-free safe re-lamping
- 316 SS Mounting Yoke Reliable and safe installation
- Highly efficient photometrics and excellent asymmetrical distribution. Photometrics above 85%. Minimizes the number of required fixtures to deliver desired light levels. Saves in energy costs
- Hot-dipped Galvanized Steel Mounting Accessories. Corrosion resistant in marine and corrosive environments, assuring reliable installation
- 316 SS 3/4" Conduit Hub. Maintains grounding continuity. Watertightseal. Corrosion resistant
- Silicone Gasketed Lens Door Frame. Provides watertight seal, protecting interior from moisture and corrosives

### KFSS STAINLESS STEEL FLOOD LIGHTS

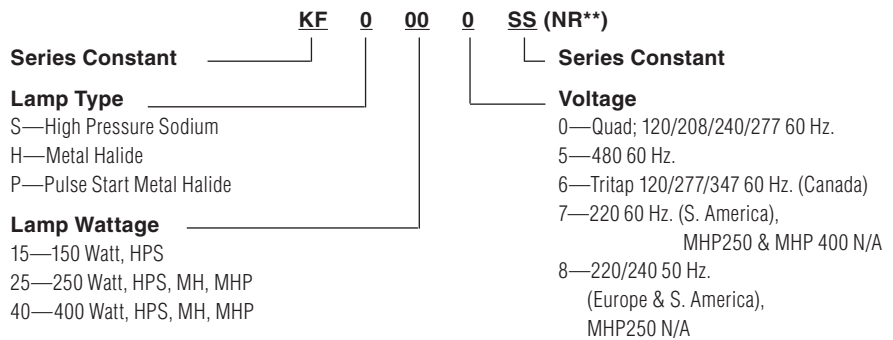
CATALOG NUMBER	LAMP TYPE AND CIRCUIT	VOLTAGE	BEAM SPREAD H° X V°
<b>KFS150SS</b> <b>KFS156SS</b>	150 HPS S-55	120/208/240/277 @60Hz 120/277/347 @60 Hz	6 (118) x 6 (118)
<b>KFS250SS</b> <b>KFS256SS</b>	250 HPS S-50	120/208/240/277 @60Hz 120/277/347 @60 Hz	6 (118) x 6 (118)
<b>KFS400SS</b> <b>KFS406SS</b>	400 HPS S-51	120/208/240/277 @60Hz 120/277/347 @60 Hz	6 (118) x 6 (118)
<b>KFH250SS</b> <b>KFH256SS</b>	250 MH ① M-58	120/208/240/277 @60Hz 120/277/347 @60 Hz	6 (118) x 6 (118)
<b>KFP250SS</b> <b>KFP256SS</b>	250 MHP ② M-138	120/208/240/277 @60Hz 120/277/347 @60 Hz	6 (118) x 6 (118)
<b>KFH400SS</b> <b>KFH406SS</b>	400 MH ① M-59	120/208/240/277 @60Hz 120/277/347 @60 Hz	6 (118) x 6 (118)
<b>KFP400SS</b> <b>KFP406SS</b>	400 MHP ② M-135	120/208/240/277 @60Hz 120/277/347 @60 Hz	6 (118) x 6 (118)

① Mercury Vapor Lamps of the same wattage may be used if desired.  
② Use a Pulse Start Metal Halide Lamp rated for Horizontal Position.

### KFSS ACCESSORIES

CATALOG NUMBER	DESCRIPTION
<b>KFS-6G</b>	Steel slipfitter for 2" pipe (2-3/8" O.D.) tenon. Hot-dipped galvanized (bolts included)
<b>K4040G</b>	Steel wall/pole bracket. Hot-dipped galvanized (bolts included)
<b>KFCSBG</b>	Cross arm fitting for horizontal trunnion. Hot-dipped galvanized (bolts included)

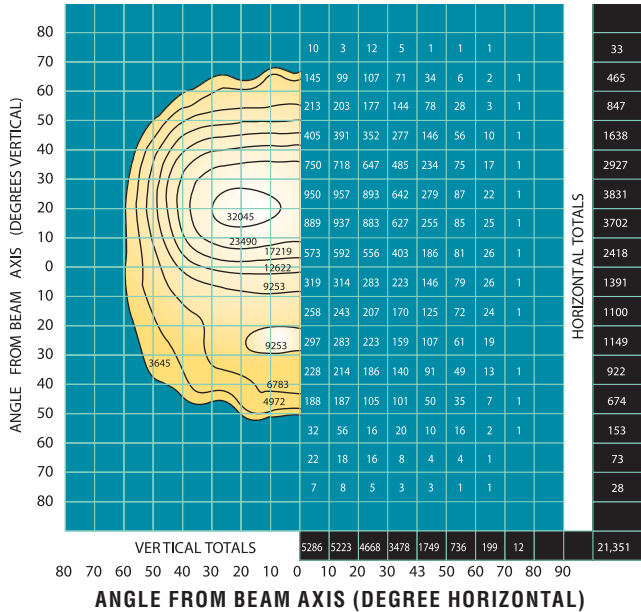
#### Catalog Number Logic





## MARINE FLOODLIGHTS

### AVERAGE OF RIGHT- LEFT SIDES ISO CANDELA CURVES LUMEN DISTRIBUTION



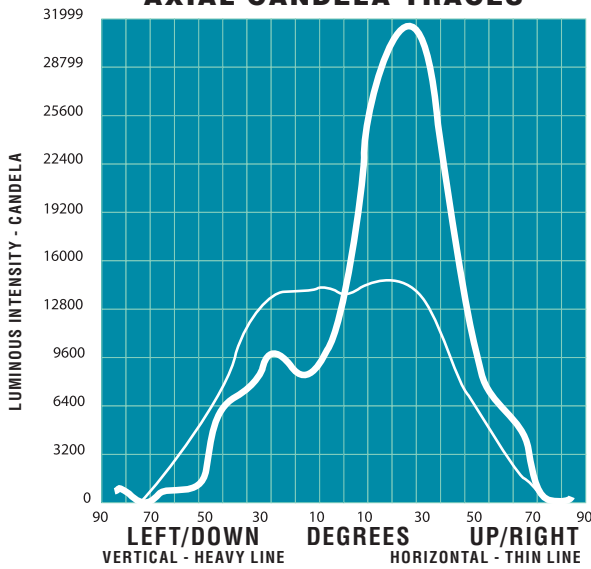
### MARINE FLOODLIGHTS

ANGLE FROM BEAM AXIS ( DEGREES HORIZONTAL )

Test Number: HP-07477 Lumens: 50,000  
 Source: HPS IES/NEMA Type: 6H x 6V  
 Lamp: ED-18 Maximum Beam Candlepower: 36,447  
 Lamp Watts: 400 Average Maximum Candlepower: 32,045  
 LCL: 5.75" Total Efficiency: 85.41%

	HORIZONTALLY	VERTICALLY	LUMENS	EFFICIENCY
BEAM	81.8	41.0	22,196	44.39%
FIELD	118.4	118.6	40,591	81.18%

### AXIAL CANDELA TRACES



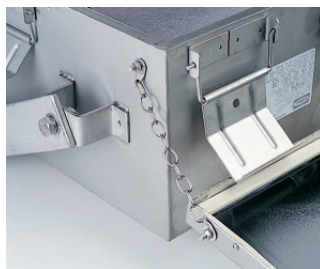
### MARIGARD TEMPERATURE CODES

LAMP		RATED AMBIENT C°	CLASS 1 DIV. 2 TEMP. (CODE)	CLASS 1 ZONE 2 TEMP. (CODE)	EX NR	SUPPLY WIRE C°
TYPE	WATTAGE					
HPS	150	40	270°C (T2A)	270°C (T2)	T4	90°C
HPS	150	55	285°C (T2)	285°C (T2)	T4	90°C
HPS	150	65	295°C (T2)	295°C (T2)	T3	110°C
HPS	250	40	380°C (T1)	380°C (T1)	T3	90°C
HPS	250	55	395°C (T1)	395°C (T1)	T3	110°C
HPS	400	40	380°C (T1)	380°C (T1)	T3	110°C
MH-MHP-MV	250	40	365°C (T1)	365°C (T1)	T3	110°C
MH-MHP-MV	250	55	380°C (T1)	380°C (T1)	T2	110°C
MH-MHP-MV	400	40	365°C (T1)	365°C (T1)	T3	110°C

① Ex nR with NR adder. Allows lower T-CODE approvals through the use of sealed cable entrance fittings. See fittings section or select other gland/connector as appropriate for type of cable used.



Rugged yet easy-to-open 316 SS Latches require no special tools!



Two 316 SS Lens Chains allow for hands-free maintenance!

