

# FITTINGS

K SERIES



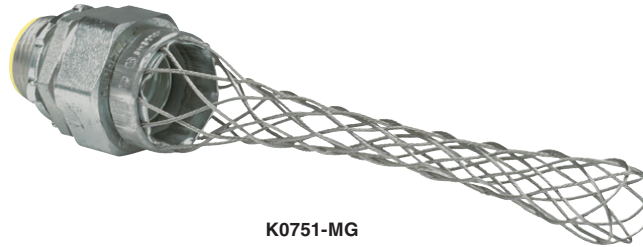
## LIQUIDTIGHT CONNECTORS

LISTED - File E22699

Certified - File LR70873  
See files for details or call Killark.



K2001



K0751-MG

### FEATURES-SPECIFICATIONS LIQUIDTIGHT®

#### Applications

Use with metallic and non-metallic conduit to seal out water, oil and dust in applications for food processors, beverage & chemical plants, plastics fabricators, machine shops, etc.

Liquidtight connectors are also suitable for use in hazardous locations per National Electrical Code (Articles 501-4(b), 502-4(a&b), 503-3(a&b)). Consult these articles for sealing requirements that may apply.

Liquidtight mesh grips provide a liquidtight seal and enhanced strain relief in flexible liquidtight conduit applications.

#### Features

- Split nylon gland ring – split for easy installation and greater compression
- Digging locknut
- Sealing 'O'-rings included
- Reusable

#### Materials/Finish

- Steel/malleable iron
- Zinc electro-plated

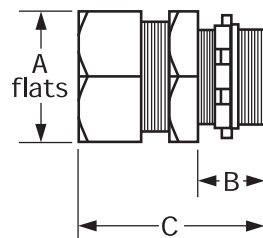
#### Mesh Grips

- Stainless steel mesh grips are corrosion resistant and prevent conduit pull-out in high stress installations

K LIQUIDTIGHT CONNECTORS – STRAIGHT					
CATALOG NUMBER	NPT SIZE	CONNECTOR STYLE	DIMENSIONS		
			A	B	C
K038	3/8"	Straight non-insulated	1-7/16"	19/32"	1-1/16"
K050	1/2"	Straight non-insulated	1-7/16"	19/32"	1-13/16"
K075	3/4"	Straight non-insulated	1-9/16"	19/32"	1-3/8"
K100	1"	Straight non-insulated	1-11/16"	21/32"	1-11/16"
K125	1-1/4"	Straight non-insulated	2-1/32"	11/16"	2-1/16"
K150	1-1/2"	Straight non-insulated	2-7/32"	11/16"	2-3/8"
K200	2"	Straight non-insulated	2-9/32"	23/32"	2-7/8"
K250	2-1/2"	Straight non-insulated	3-1/2"	1"	3-5/8"
K300	3"	Straight non-insulated	3-3/4"	1"	4-5/16"
K350	3-1/2"	Straight non-insulated	3-3/4"	1"	4-3/4"
K400	4"	Straight non-insulated	3-3/4"	1"	5-5/16"
K0381*	3/8"	Straight insulated	1-7/16"	21/32"	1-1/16"
K0501*	1/2"	Straight insulated	1-7/16"	21/32"	1-3/16"
K0751*	3/4"	Straight insulated	1-5/8"	21/32"	1-3/8"
K1001*	1"	Straight insulated	1-3/4"	23/32"	1-11/16"
K1251*	1-1/4"	Straight insulated	2-3/32"	3/4"	2-1/16"
K1501*	1-1/2"	Straight insulated	2-9/32"	3/4"	2-3/8"
K2001*	2"	Straight insulated	2-11/32"	25/32"	2-7/8"
K2501*	2-1/2"	Straight insulated	3-1/2"	1"	3-5/8"
K3001*	3"	Straight insulated	3-3/4"	1"	4-5/16"
K3501	3-1/2"	Straight insulated	3-3/4"	1"	4-3/4"
K4001*	4"	Straight insulated	3-3/4"	1"	5-5/16"

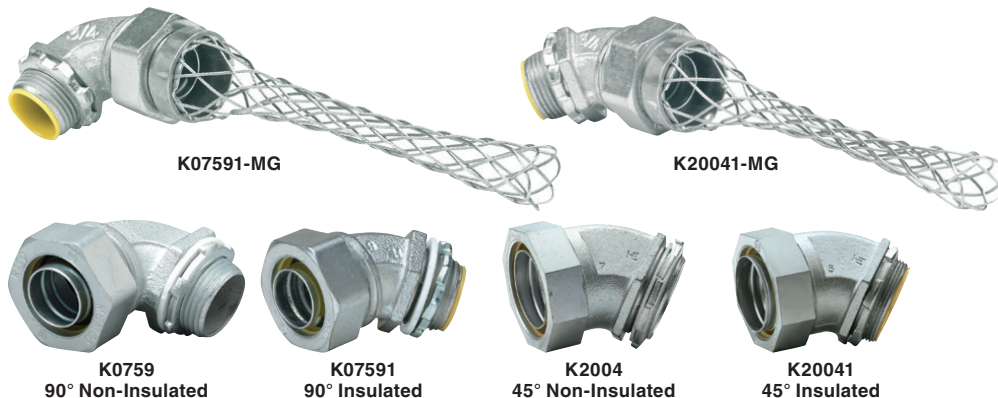
\* For mesh grip, add - MG to Catalog Number. Example **K0381-MG**.

#### Dimensions





## LIQUIDTIGHT CONNECTORS



UL LISTED - File E22699

SP Certified - File LR70873  
See files for details or call Killark.

### FEATURES-SPECIFICATIONS LIQUIDTIGHT®

#### Applications

Use with metallic and non-metallic conduit to seal out water, oil and dust in applications for food processors, beverage & chemical plants, plastics fabricators, machine shops, etc.

Liquidtight connectors are also suitable for use in hazardous locations per National Electrical Code (Articles 501-4(b), 502-4(a&b), 503-3(a&b)). Consult these articles for sealing requirements that may apply.

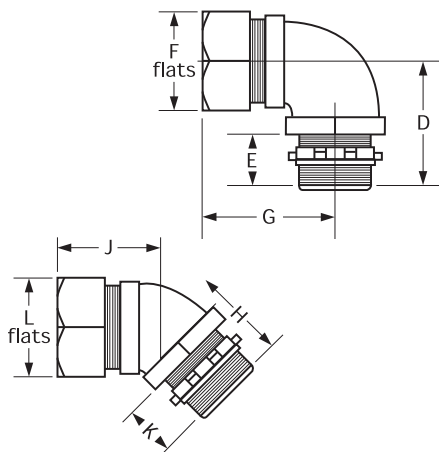
#### Features

- Split nylon gland ring – split for easy installation and greater compression
- Digging locknut
- Sealing 'O'-rings included
- Reusable

#### Materials/Finish

- Steel/malleable iron
- Zinc electro-plated

#### Dimensions



K LIQUIDTIGHT CONNECTORS – 90° BEND						
CATALOG NUMBER	NPT SIZE	CONNECTOR STYLE	DIMENSIONS			
			D	E	F	G
K0389	3/8"	90° non-insulated	1-1/2"	5/8"	1"	1-3/4"
K0509	1/2"	90° non-insulated	1-1/2"	5/8"	1-1/8"	1-3/4"
K0759	3/4"	90° non-insulated	1-19/32"	5/8"	1-3/8"	1-15/16"
K1009	1"	90° non-insulated	1-3/16"	5/8"	1-5/8"	2-3/16"
K1259	1-1/4"	90° non-insulated	2"	11/16"	2-1/16"	2-9/16"
K1509	1-1/2"	90° non-insulated	2-3/16"	11/16"	2-3/8"	3"
K2009	2"	90° non-insulated	2-17/32"	23/32"	2-7/8"	3-5/8"
K2509**	2-1/2"	90° non-insulated	3-3/8"	1"	3-5/8"	4-1/4"
K3009	3"	90° non-insulated	3-11/16"	1"	4-5/16"	4-7/8"
K4009	4"	90° non-insulated	4-3/16"	1"	5-5/16"	5-5/8"
K03891*	3/8"	90° Insulated	1-9/16"	11/16"	1"	1-3/4"
K05091*	1/2"	90° Insulated	1-9/16"	11/16"	1-1/8"	1-3/4"
K07591*	3/4"	90° Insulated	1-21/32"	11/16"	1-3/8"	1-15/16"
K10091*	1"	90° Insulated	1-7/8"	11/16"	1-5/8"	2-3/16"
K12591*	1-1/4"	90° Insulated	2-1/16"	3/4"	2-1/16"	2-9/16"
K15091*	1-1/2"	90° Insulated	2-1/4"	3/4"	2-3/8"	3"
K20091*	2"	90° Insulated	2-19/32"	25/32"	2-7/8"	3-5/8"
K25091*	2-1/2"	90° Insulated	3-3/8"	1"	3-5/8"	4-1/4"
K30091*	3"	90° Insulated	3-11/16"	1"	4-5/16"	4-7/8"
K40091*	4"	90° Insulated	4-3/16"	1"	5-5/16"	5-5/8"
K LIQUIDTIGHT CONNECTORS – 45° BEND						
CATALOG NUMBER	NPT SIZE	CONNECTOR STYLE	DIMENSIONS			
			H	J	K	L
K0384	3/8"	45° non-insulated	1-5/32"	1-9/32"	19/32"	1"
K0504	1/2"	45° non-insulated	1-5/32"	1-9/32"	19/32"	1-1/8"
K0754	3/4"	45° non-insulated	1-11/64"	1-7/16"	19/32"	1-3/8"
K1004	1"	45° non-insulated	1-13/32"	1-23/32"	21/32"	1-5/8"
K1254	1-1/4"	45° non-insulated	1-27/64"	2-1/32"	5/8"	2-1/16"
K1504	1-1/2"	45° non-insulated	1-21/32"	1-15/16"	21/32"	2-3/8"
K2004	2"	45° non-insulated	1-11/16"	2-7/16"	21/32"	2-7/8"
K03841*	3/8"	45° Insulated	1-7/32"	1-9/32"	21/32"	1"
K05041*	1/2"	45° Insulated	1-7/32"	1-9/32"	21/32"	1-1/8"
K07541*	3/4"	45° Insulated	1-15/64"	1-7/16"	21/32"	1-3/8"
K10041*	1"	45° Insulated	1-15/32"	1-23/32"	23/32"	1-5/8"
K12541*	1-1/4"	45° Insulated	1-31/64"	2-1/32"	11/16"	2-1/16"
K15041*	1-1/2"	45° Insulated	1-23/32"	1-15/16"	23/32"	2-3/8"
K20041*	2"	45° Insulated	1-3/4"	2-7/16"	23/32"	2-7/8"

\* For mesh grip, add -MG to Catalog Number. Example K03891-MG.

\*\* Use K25091 insulated.

# FITTINGS

K SERIES



## GROUNDING LIQUIDTIGHT CONNECTORS



Straight

90°

45°

UL LISTED - File E152165, E22699

SP Certified - File LR70873  
See files for details or call Killark.

### FEATURES-SPECIFICATIONS LIQUIDTIGHT®

#### K Grounding style Application & Installation

Liquidtight Connectors with grounding lug are for use where an external, visible equipment bonding jumper is desired and where permitted by the National Electrical Code. The Code specifies length limitations and that the bonding jumper must be parallel to the conduit itself.

#### Features

- Lay-in grounding lug
- Fittings are plated steel for excellent durability
- Insulated throat fittings protect conductors from insulation damage

#### Materials/Finish

- Steel/malleable iron
- Zinc electro-plated

K LIQUIDTIGHT GROUNDING STYLE & MESH GRIPS								
CATALOG NUMBER CONNECTOR ONLY	NPT SIZE	DESC.	DIMENSIONS					
			A	B	C	D	E	
K0381-G	3/8"	Straight Insulated	1-1/16"	19/32"	1-7/16"	25/32"	-	
K0501-G	1/2"		1-3/16"	19/32"	1-7/16"	25/32"	-	
K0751-G	3/4"		1-3/8"	19/32"	1-9/16"	25/32"	-	
K1001-G	1"		1-11/16"	21/32"	1-11/16"	25/32"	-	
K1251-G	1-1/4"		2-1/16"	5/8"	2-1/32"	25/32"	-	
K1501-G	1-1/2"		2-3/8"	5/8"	2-7/32"	25/32"	-	
K2001-G	2"		2-7/8"	21/32"	2-9/32"	25/32"	-	
K2501-G	2-1/2"		3-5/8"	1"	3-1/2"	1-11/64"	-	
K3001-G	3"		4-15/16"	1"	3-3/4"	1-11/64"	-	
K3501-G	3-1/2"		4-3/4"	1"	3-3/4"	1-57/64"	-	
K4001-G	4"	5-5/16"	1"	3-3/4"	1-57/64"	-		
K03891-G	3/8"	90° Insulated	1-1/16"	19/32"	1-5/16"	1-7/16"	25/32"	
K05091-G	1/2"		1-3/16"	19/32"	1-5/16"	1-7/16"	25/32"	
K07591-G	3/4"		1-3/8"	19/32"	1-7/16"	1-5/8"	25/32"	
K10091-G	1"		1-11/16"	21/32"	1-25/32"	2-3/16"	25/32"	
K12591-G	1-1/4"		2-1/16"	5/8"	1-31/32"	2-1/2"	25/32"	
K15091-G	1-1/2"		2-3/8"	5/8"	2-3/16"	2-11/16"	25/32"	
K20091-G	2"		2-7/8"	21/32"	2-17/32"	3-1/4"	25/32"	
K25091-G	2-1/2"		3-5/8"	1"	3-3/8"	4-1/4"	1-11/64"	
K30091-G	3"		4-15/16"	1"	3-11/16"	4-7/8"	1-11/64"	
K40091-G	4"		5-5/16"	1"	4-3/16"	5-5/8"	1-57/64"	
K03841-G	3/8"	45° Insulated	1-1/16"	19/32"	1-3/16"	1-9/32"	25/32"	
K05041-G	1/2"		1-3/16"	19/32"	1-3/16"	1-9/32"	25/32"	
K07541-G	3/4"		1-3/8"	19/32"	1-3/16"	1-7/16"	25/32"	
K10041-G	1"		1-11/16"	21/32"	1-3/8"	1-17/32"	25/32"	
K12541-G	1-1/4"		2-1/16"	5/8"	1-27/64"	1-11/16"	25/32"	
K15041-G	1-1/2"		2-3/8"	5/8"	1-21/32"	2"	25/32"	
K20041-G	2"		2-7/8"	21/32"	1-11/16"	2-1/4"	25/32"	

#### GROUNDING STYLE Wire Capacity

- |              |                            |
|--------------|----------------------------|
| 3/8" to 2"   | #14 solid to #4 Stranded   |
| 2-1/2" to 3" | #14 solid to #1/0 Stranded |
| 3-1/2" to 4" | #6 stranded to #250 MCM    |

