

# LIGHTING

**MBL SERIES**



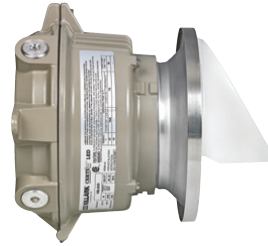
## COMPACT SIZE – INTRODUCTION & LOGIC



Luminaire w/Glass Refractor and Guard



Luminaire w/Flat Lens



Wall Mount w/VZRF8PR Pathway Reflector

**Class I, Div. 2, Groups A,B,C,D**  
**Class I, Zone 2, Groups IIC, IIB, IIA**  
**Class II, Div. 1 & 2, Groups E,F,G**  
**Class III**  
**Suitable for wet locations**  
**Marine Rated (US only)**  
**Type 3, 4X**

Certified - File LR11713

## CERTILITE® LED

### FEATURES-SPECIFICATIONS Applications

CERTILITE® MBL LED fixtures are designed for installations where moisture, dirt, dust, corrosion and vibration may be present, or Type 3 and 4X areas where wind, water, snow or high ambients can be expected. They can be used in locations made hazardous by the presence of flammable vapors or gases or combustible dusts as defined by the NEC/CEC.

Typical applications can low ceiling areas in manufacturing plants, and certain chemical and petrochemical processing facilities, sewage treatment plants, off-shore and dockside installations, garages and storage facilities.

### Compliances

- UL-8750 for LED lighting; UL 1598A
- UL Marine type lighting fixtures
- UL-844 Standard for lighting fixtures for hazardous locations, Class I, Division 2; Class II, Divisions 1 and 2; Class III
- CSA C22.2 no. 137-M1981 electric luminaires for use in hazardous locations
- Enclosed and gasketed
- Type 3, 4X

### Materials

- Housing, splice box and guards (MBAG, VMAG) corrosion resistant copper-free aluminum alloy
- Baked powder epoxy/polyester finish, electrostatically applied for complete, uniform corrosion protection
- All external hardware - stainless steel
- Reflectors - Polyester reinforced fiberglass

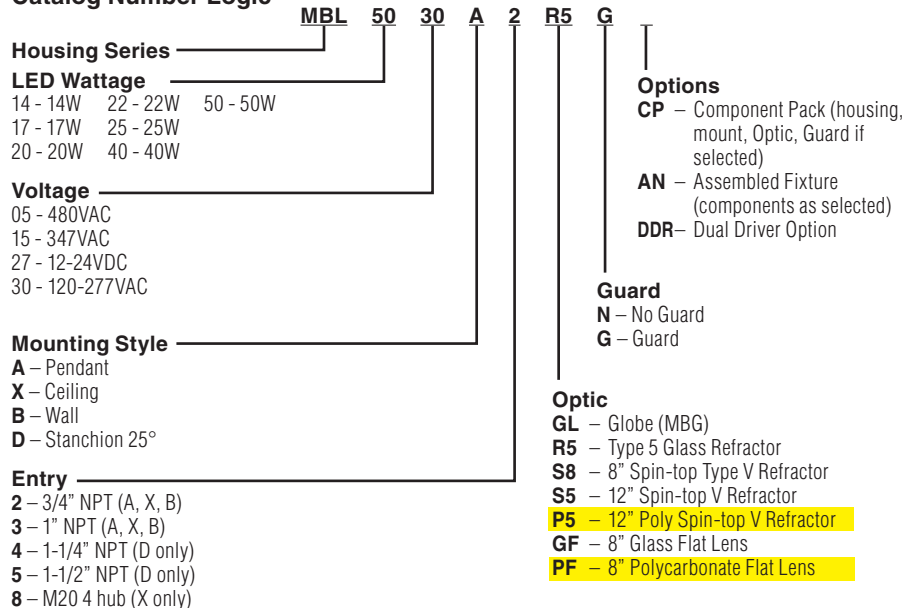
### LED Luminaire Features and Standards

Supplemental **20KA/10KV Surge Protection** is **standard** (for 120-277 VAC models)  
**10KA/10KV Surge Protection** (for 347-480 VAC)

- Compact in Size with Traditional Industrial Appearance and Suitability
- Wide variety of optics including globes, globes with reflectors, all-glass refractors, and spin-top refractors
- Optional Mounting arrangements including Pendant, Wall, Ceiling, and Stanchion
- MBL LED Housings can be retrofitted to existing MB splice boxes; upgrade from Fluorescent or HID

- Energy Savings – Less than 50 Watts of Power
- LED Array Life – 100,000+ hours with 70% initial lumens
- Long Fixture Life – 50,000 - 55,000 maintenance free hours
- Crisp White Light for Excellent Color Rendering - Chromaticity 5000°K (CCT); 70 CRI
- Ambient suitability -40°C to 40°C (to 55°C for 14W to 22W)
- Instant on – Including after power interruption
- “World Voltage” 120-277VAC 50/60Hz
- Solder-LESS LED Board Connections – Vibration Resistant

### Catalog Number Logic





COMPACT SIZE – ORDERING INFORMATION



PENDANT

CEILING

WALL

STANCHION

**ORDERING INFORMATION**

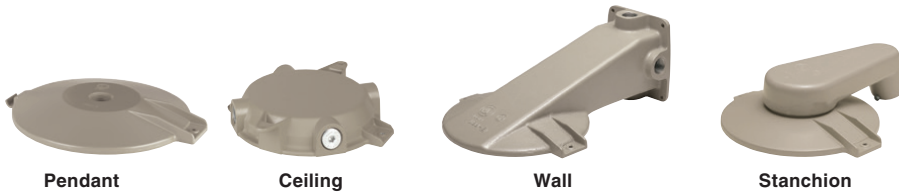
MBL SERIES PENDANT WITH OPTIC AND GUARD							
WATTS	HUB SIZE	VOLTAGE	GLOBE & GUARD	8" SPIN-TOP POLYCARBONATE FLAT LENS	TYPE V GLASS REFRACTOR & GUARD	8" SPIN-TOP TYPE V REFRACTOR & GUARD	12" SPIN-TOP TYPE V REFRACTOR & GUARD
14	3/4"	120-277VAC	MBL1430A2GLG	MBL1430A2PFN	MBL1430A2R5G	MBL1430A2S8G	MBL1430A2S5G
17	3/4"	120-277VAC	MBL1730A2GLG	MBL1730A2PFN	MBL1730A2R5G	MBL1730A2S8G	MBL1730A2S5G
20	3/4"	120-277VAC	MBL2030A2GLG	MBL2030A2PFN	MBL2030A2R5G	MBL2030A2S8G	MBL2030A2S5G
22	3/4"	120-277VAC	MBL2230A2GLG	MBL2230A2PFN	MBL2230A2R5G	MBL2230A2S8G	MBL2230A2S5G
25	3/4"	120-277VAC	MBL2530A2GLG	MBL2530A2PFN	MBL2530A2R5G	MBL2530A2S8G	MBL2530A2S5G
40	3/4"	120-277VAC	MBL4030A2GLG	-	MBL4030A2R5G	MBL4030A2S8G	MBL4030A2S5G
50	3/4"	120-277VAC	MBL5030A2GLG	-	MBL5030A2R5G	MBL5030A2S8G	MBL5030A2S5G
MBL SERIES CEILING WITH OPTIC AND GUARD							
14	3/4"	120-277VAC	MBL1430X2GLG	MBL1430X2PFN	MBL1430X2R5G	MBL1430X2S8G	MBL1430X2S5G
17	3/4"	120-277VAC	MBL1730X2GLG	MBL1730X2PFN	MBL1730X2R5G	MBL1730X2S8G	MBL1730X2S5G
20	3/4"	120-277VAC	MBL2030X2GLG	MBL2030X2PFN	MBL2030X2R5G	MBL2030X2S8G	MBL2030X2S5G
22	3/4"	120-277VAC	MBL2230X2GLG	MBL2230X2PFN	MBL2230X2R5G	MBL2230X2S8G	MBL2230X2S5G
25	3/4"	120-277VAC	MBL2530X2GLG	MBL2530X2PFN	MBL2530X2R5G	MBL2530X2S8G	MBL2530X2S5G
40	3/4"	120-277VAC	MBL4030X2GLG	-	MBL4030X2R5G	MBL4030X2S8G	MBL4030X2S5G
50	3/4"	120-277VAC	MBL5030X2GLG	-	MBL5030X2R5G	MBL5030X2S8G	MBL5030X2S5G
MBL SERIES WALL WITH OPTIC AND GUARD							
14	3/4"	120-277VAC	MBL1430B2GLG	MBL1430B2PFN	MBL1430B2R5G	MBL1430B2S8G	MBL1430B2S5G
17	3/4"	120-277VAC	MBL1730B2GLG	MBL1730B2PFN	MBL1730B2R5G	MBL1730B2S8G	MBL1730B2S5G
20	3/4"	120-277VAC	MBL2030B2GLG	MBL2030B2PFN	MBL2030B2R5G	MBL2030B2S8G	MBL2030B2S5G
22	3/4"	120-277VAC	MBL2230B2GLG	MBL2230B2PFN	MBL2230B2R5G	MBL2230B2S8G	MBL2230B2S5G
25	3/4"	120-277VAC	MBL2530B2GLG	MBL2530B2PFN	MBL2530B2R5G	MBL2530B2S8G	MBL2530B2S5G
40	3/4"	120-277VAC	MBL4030B2GLG	-	MBL4030B2R5G	MBL4030B2S8G	MBL4030B2S5G
50	3/4"	120-277VAC	MBL5030B2GLG	-	MBL5030B2R5G	MBL5030B2S8G	MBL5030B2S5G
MBL SERIES 25° STANCHION WITH OPTIC AND GUARD							
14	1-1/4"	120-277VAC	MBL1430D4GLG	MBL1430D4PFN	MBL1430D4R5G	MBL1430D4S8G	MBL1430D4S5G
17	1-1/4"	120-277VAC	MBL1730D4GLG	MBL1730D4PFN	MBL1730D4R5G	MBL1730D4S8G	MBL1730D4S5G
20	1-1/4"	120-277VAC	MBL2030D4GLG	MBL2030D4PFN	MBL2030D4R5G	MBL2030D4S8G	MBL2030D4S5G
22	1-1/4"	120-277VAC	MBL2230D4GLG	MBL2230D4PFN	MBL2230D4R5G	MBL2230D4S8G	MBL2230D4S5G
25	1-1/4"	120-277VAC	MBL2530D4GLG	MBL2530D4PFN	MBL2530D4R5G	MBL2530D4S8G	MBL2530D4S5G
40	1-1/4"	120-277VAC	MBL4030D4GLG	-	MBL4030D4R5G	MBL4030D4S8G	MBL4030D4S5G
50	1-1/4"	120-277VAC	MBL5030D4GLG	-	MBL5030D4R5G	MBL5030D4S8G	MBL5030D4S5G

# LIGHTING

MBL SERIES



## COMPACT SIZE – COMPONENTS



MB MOUNTING BRACKETS				
CATALOG NUMBER				HUB SIZE
PENDANT	CEILING	WALL	STANCHION	
MBA-2	MBX-2	MBB-2	—	3/4"
MBA-3	MBX-3	MBB-3	—	1"
—	MBX-8	—	—	M20
—	—	—	MBD-4	1-1/4"
—	—	—	MBD-5	1-1/2"



### Non-Glass Polycarbonate 8" Flat Lens or Spin-top



MBL LED OPTICS AND ACCESSORIES		
DESCRIPTION	OPTIC LOGIC	GUARD
Globe (glass)	MBG (GL)	MBAG
Reflector (all glass) Type V	VMR175 (R5)	VMAG17
Reflector (spin top) 8" Type V	VZRG1550 (S8)	VMRWG8
Reflector (spin top) 12" Type V	VZRG2550 (S5)	VMRWGS
8" Spin-top flat lens (glass) 14-24W	VZRGF8 (GF)	VZRF8GRD
8" Spin-top flat lens (polycarbonate) 14-24W	VZRPF8 (PF)	VZRF8GRD
Reflector polycarbonate (spin -top) 12" Type V	VZRP175 (P5)	VMRWGS
Pathway Reflector 14-24W	VZRF8PR	NA
Reflector for MBG Globe - DOME	VMPSD-17	NA
Reflector for MBG Globe - ANGLE	VMPPA-17	NA
120VAC Photocell with FS Style Cover	VMFSPC1	NA
208-277VAC Photocell with FS Style Cover	VMFSPC2	NA
3-sided EXIT Accessory (use without guard)	VEXA100B	NA



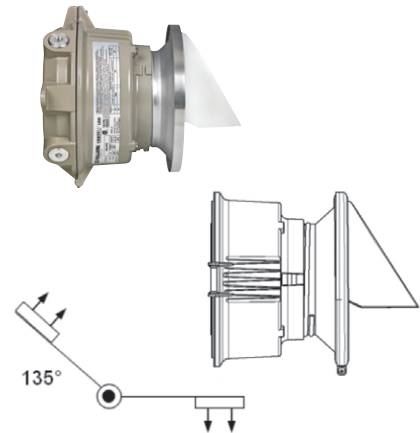
COMPACT SIZE – RATINGS, SPECIAL AIMING ANGLES

ORDERING INFORMATION AND AMBIENT SUITABILITY					C1D2 OPTIC ONLY		ABCD W/ REFLECTOR		C2D1 OPTIC ONLY		EFG W/ REFLECTOR	
CATALOG NO.	WEIGHT LBS./KG	WATTS	VOLTAGE	AMPS	40°C	55°C	40°C	55°C	40°C	55°C	40°C	55°C
MBL1427	10.00 / 4.54	14	12-24VDC	1.17-0.58	T5	T4A	T4	T3B	T4A	T4A	T4A	T4A
MBL1430			120-277VAC	0.12-0.05								
MBL1434			120-250VDC	0.12-0.04								
MBL1727		17	12-24VDC	1.42-0.71	T5	T5	T5	T5	T4	T4	T4	T4
MBL1730			120-277VAC	0.14-0.06								
MBL1734			120-250VDC	0.14-0.06								
MBL2027		20	12-24VDC	1.67-0.83	T5	T5	T5	T5	T4	T4	T4	T4
MBL2030			120-277VAC	0.17-0.07								
MBL2034			120-250VDC	0.17-0.06								
MBL2227		22	12-24VDC	1.83-0.92	T4A	T4	T4A	T4	T4	T4	T4	T4
MBL2230			120-277VAC	0.18-0.08								
MBL2234			120-250VDC	0.18-0.07								
MBL2527		25	12-24VDC	2.08-1.04	T5	T5	T5	T5	T4	T4	T4	T4
MBL2530			120-277VAC	0.21-0.09								
MBL2534	120-250VDC		0.21-0.08									
MBL4027	15.5 / 7.03	40	12-24VDC	3.33-1.67	T5	-	T5	-	T4	-	T4	-
MBL4030			120-277VAC	0.33-0.14								
MBL5027		50	12-24VDC	4.17-2.08	T5	-	T5	-	T4	-	T4	-
MBL5030			120-277VAC	0.42-0.18								

TYPICAL WEIGHTS (LBS.) W/STANDARD GLOBE AND GUARD - MBL SERIES				
14-25W	Pendant 14.96	Ceiling 15.96	Wall 19.30	Stanchion 16.83
40-50W	Pendant 20.96	Ceiling 21.69	Wall 25.30	Stanchion 22.83

DELIVERED LUMENS					
WATTS	MBL + MBG	MBL + VMR	MBL + VZRXF8	L70	
				TM-21	CALCULATED
14	910	800	980	60100	270000
20	1785	1570	2009	60100	270000
22	1365	1201	1427	60100	270000
25	2485	2236	3186	72600	278000
40	3625	3821	-	60100	270000
50	5824	6139	-	72600	278000

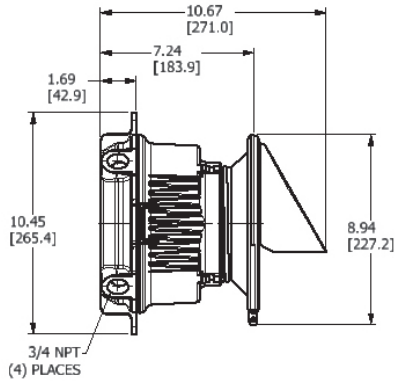
Special Aiming Angles  
Wall Mount MBL with Pathway Reflector



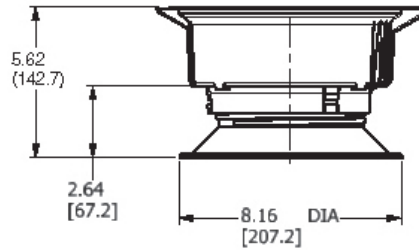
14W-25W MBL Housings with 8" Flat Spin-Top Lens may be aimed from 135° to 0° with or without the VZRF8PF Pathway Reflector. Pathway Reflector must NOT be aimed upwards in a Class II (Dust) environment, or where any contaminant may be collected. Applications include lighting dark spots around ceiling piping or pathways near handrails.



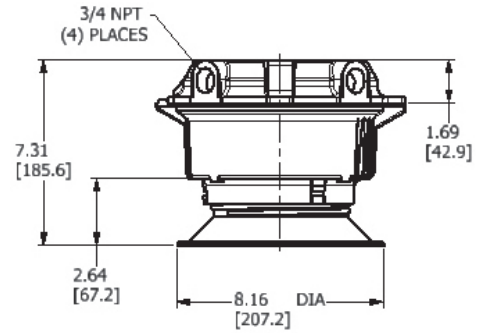
## COMPACT SIZE – DIMENSIONS & WEIGHTS



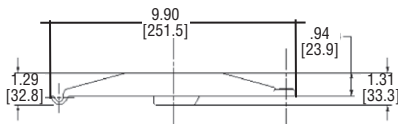
**MBL Flat Lens, Pathway Reflector Wall Mount**



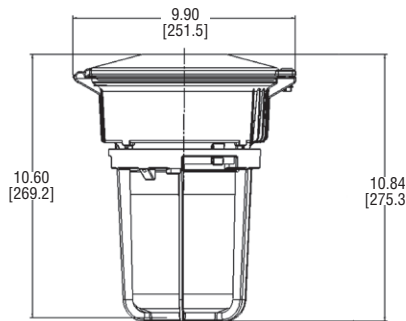
**MBL Tank with Flat Lens**



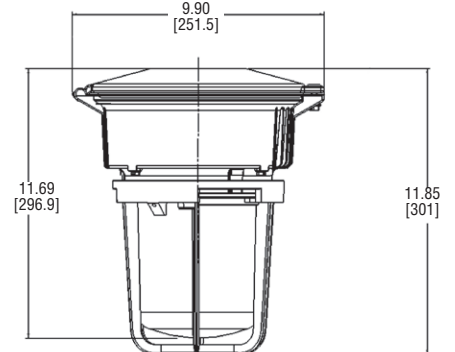
**MBL Flat Lens Ceiling Mount**



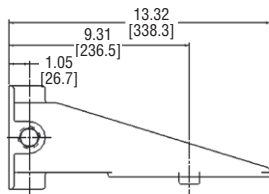
**MBA Pendant**



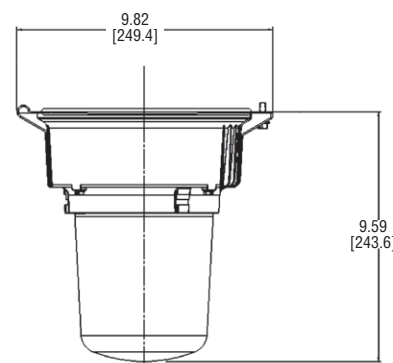
**MBL Pendant, Globe, Guard**



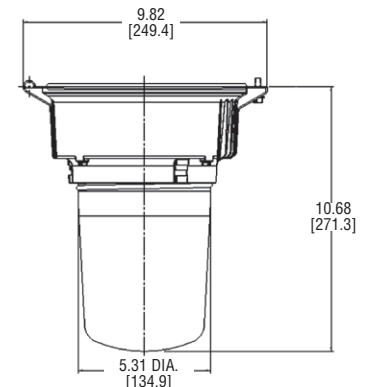
**MBL Pendant, Refractor, Guard**



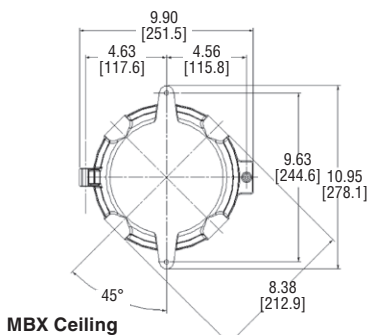
**MBB Wall Mount**



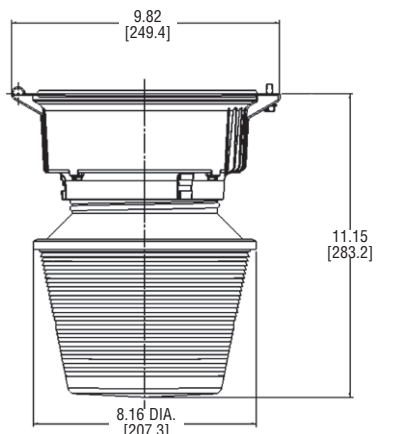
**MBL & MBG Globe Only**



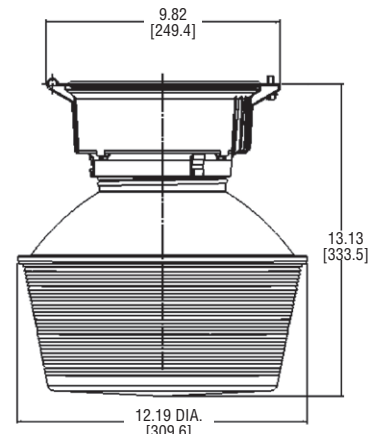
**MBL & VMR Refractor**



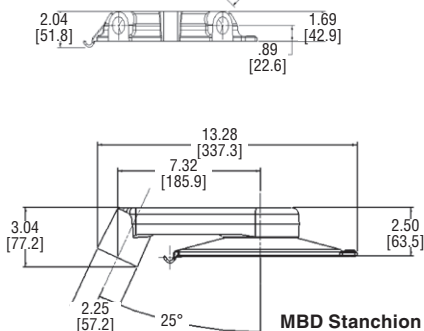
**MBX Ceiling**



**MBL & 8" Type V Spin-top**



**MBL & 12" Type V Spin-top**



**MBD Stanchion**