

### WHY STAINLESS?

Stainless steel has become the metal of choice for superior corrosion resistant conduit systems. Its high strength, heat resistance, and long-lasting life makes it ideal for even the harshest applications. One of the most unique aspect of stainless is its ability to self-heal; When scratched, chromium inside the steel, along with oxygen, will act as a healing agent adding an additional layer of corrosion protection. Stainless steel is perfect for pharmaceutical, wastewater, food and beverage, chemical, and other caustic or hose down applications.





## STAINLESS STEEL CONDUIT BODIES



LB



LR



LL



**UL514B & UL514A compliant**

**Suitable for use in Class 1 Div. 2 applications when installed in accordance to NEC Article 501.10 Type 4X rated with cover and gasket**



T



TB



C

### FEATURES-SPECIFICATIONS

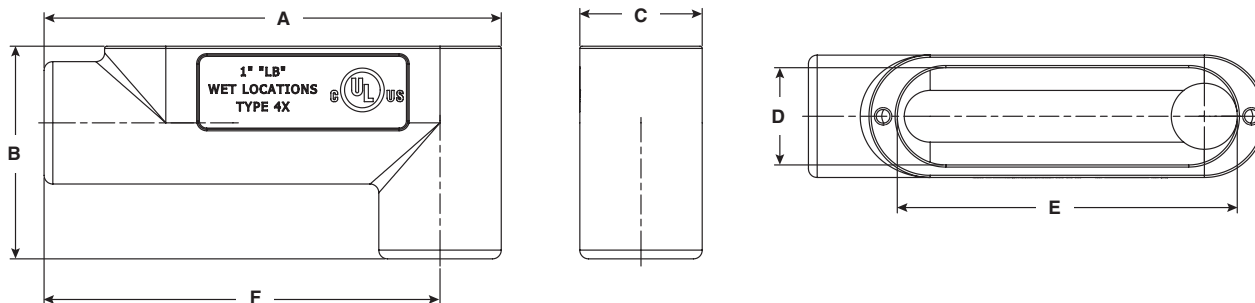
#### Features

- Flat back design provides greater cubic capacity for easier wire pulling and more room for splicing
- Cover and gasket comes standard for Type 4X ratings
- Allows bends in conduit systems
- Cost will recoup overtime due too little to no replacement over the life of the system

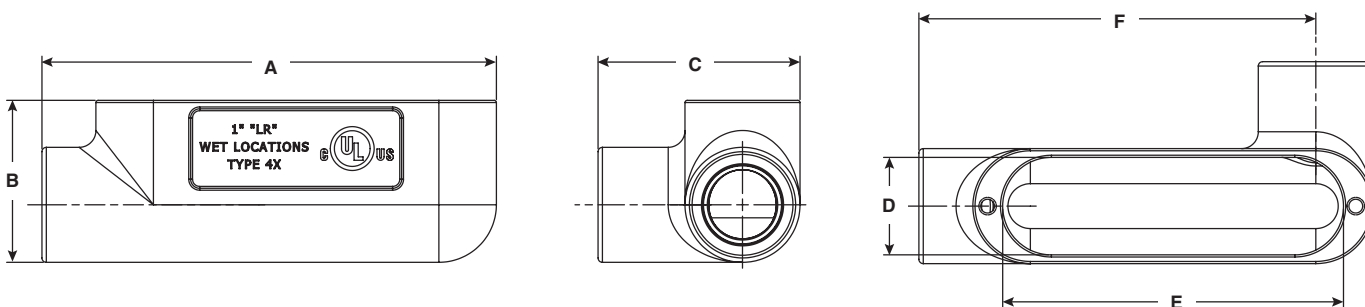
#### Materials

- Body/Cover/Screws - 316 Stainless-steel
- Gasket – Neoprene
- Natural Finish

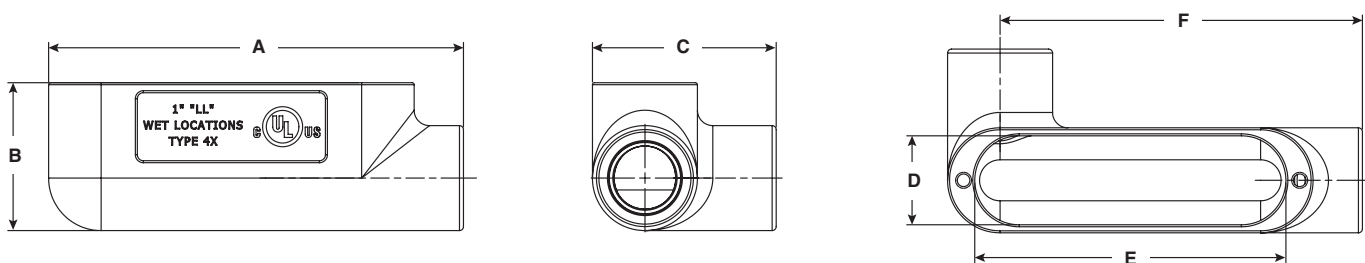
LB CONDUIT TYPE									
CATALOG NUMBER	HUB SIZE	DIMENSIONS						VOLUME	MAX CONDUCTOR FILL
		A	B	C	D	E	F		
LB28SS	3/4"	5.5	2.9	1.5	1.14	3.88	4.75	6.7 IN <sup>3</sup>	6 AWG MAX 4
LB38SS	1"	6.48	3.04	1.75	1.39	4.86	5.66	11.0 IN <sup>3</sup>	6 AWG MAX 4
LB58SS	1-1/2"	7.34	3.32	2.44	1.94	3.82	6.28	24.3 IN <sup>3</sup>	6 AWG MAX 4
LB68SS	2"	8.42	3.86	2.99	2.49	6.8	6.98	44.8 IN <sup>3</sup>	6 AWG MAX 4



LR CONDUIT TYPE									
CATALOG NUMBER	HUB SIZE	DIMENSIONS						VOLUME	MAX CONDUCTOR FILL
		A	B	C	D	E	F		
LR28SS	3/4"	5.5	2.17	2.49	1.14	3.88	4.75	6.7 IN <sup>3</sup>	6 AWG MAX 4
LR38SS	1"	6.48	2.31	2.88	1.39	4.86	5.66	11.0 IN <sup>3</sup>	4 AWG MAX 3
LR58SS	1-1/2"	7.44	2.59	3.56	1.94	5.82	6.28	24.3 IN <sup>3</sup>	2 AWG MAX 3
LR68SS	2"	8.42	3.13	4.08	2.49	6.8	6.98	44.8 IN <sup>3</sup>	1 AWG MAX 3



LL CONDUIT TYPE									
CATALOG NUMBER	HUB SIZE	DIMENSIONS						VOLUME	MAX CONDUCTOR FILL
		A	B	C	D	E	F		
LL28SS	3/4"	5.5	2.17	2.48	1.14	3.38	4.75	6.7 IN <sup>3</sup>	6 AWG MAX 4
LL38SS	1"	6.48	2.31	2.87	1.39	4.86	5.66	11.0 IN <sup>3</sup>	4 AWG MAX 3
LL58SS	1-1/2"	7.44	2.59	3.55	1.94	5.82	6.28	24.3 IN <sup>3</sup>	2 AWG MAX 3
LL68SS	2"	8.42	3.13	4.07	2.49	6.8	6.98	44.8 IN <sup>3</sup>	1 AWG MAX 3

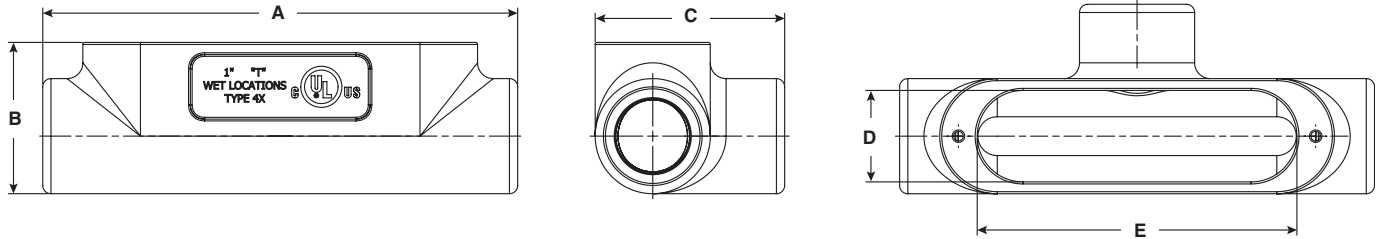




# STAINLESS STEEL CONDUIT BODIES

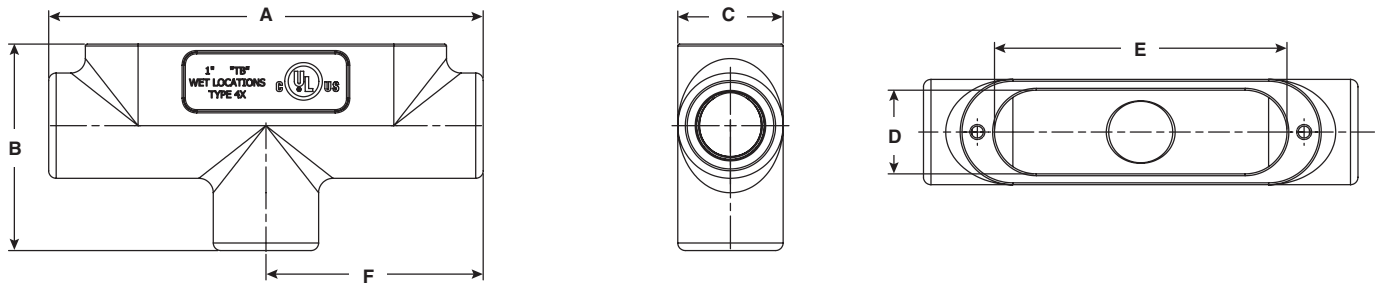
## T CONDUIT TYPE

CATALOG NUMBER	HUB SIZE	DIMENSIONS						VOLUME	MAX CONDUCTOR FILL
		A	B	C	D	E	F		
T28SS	3/4"	6.23	2.03	2.49	1.14	3.88	—	6.7 IN <sup>3</sup>	6 AWG MAX 4
T38SS	1"	7.22	2.3	2.88	1.39	4.86	—	11.0 IN <sup>3</sup>	6 AWG MAX 4
T58SS	1-1/2"	8.18	2.58	3.56	1.94	5.82	—	24.3 IN <sup>3</sup>	6 AWG MAX 4
T68SS	2"	9.16	3.12	4.08	2.49	6.8	—	44.8 IN <sup>3</sup>	6 AWG MAX 4



## TB CONDUIT TYPE

CATALOG NUMBER	HUB SIZE	DIMENSIONS						VOLUME	MAX CONDUCTOR FILL
		A	B	C	D	E	F		
TB28SS	3/4"	6.23	2.9	1.5	1.14	3.88	3.12	6.7 IN <sup>3</sup>	6 AWG MAX 4
TB38SS	1"	7.22	3.43	1.75	1.39	4.86	3.61	11.0 IN <sup>3</sup>	6 AWG MAX 3
TB58SS	1-1/2"	8.18	3.72	2.44	1.94	5.82	4.09	24.3 IN <sup>3</sup>	6 AWG MAX 3
TB68SS	2"	9.16	4.21	2.99	2.49	6.8	4.58	44.8 IN <sup>3</sup>	6 AWG MAX 3



## C CONDUIT TYPE

CATALOG NUMBER	HUB SIZE	DIMENSIONS						VOLUME	MAX CONDUCTOR FILL
		A	B	C	D	E	F		
C28SS	3/4"	6.23	2.17	1.5	1.14	3.89	—	6.7 IN <sup>3</sup>	6 AWG MAX 4
C38SS	1"	7.22	2.38	1.75	1.39	4.88	—	11.0 IN <sup>3</sup>	4 AWG MAX 3
C58SS	1-1/2"	8.18	2.59	2.44	1.94	5.82	—	24.3 IN <sup>3</sup>	2 AWG MAX 3
C68SS	2"	9.16	3.13	2.99	2.49	6.8	—	44.8 IN <sup>3</sup>	1 AWG MAX 3

