

LIGHTING

RETROFIT SERIES



OLD NEW



Easy as...

1 remove



2 connect



3 enjoy



KILLARK[®]

SEE WWW.HUBBELL-KILLARK.COM LIGHTING SOFTWARE FOR LATEST LED PHOTOMETRY





VTR SERIES

KILLARK

VTR

Vapor Tight LED Retrofit

Class I, Division 2, Groups A, B, C, D
Class I, Zone 2, Groups IIC, IIB, IIA
Class II, Division 2, Groups F, G
Class III
Suitable for wet locations
Type 4



VTR-1



VTR-2

FEATURES

- High efficacy upto 120 lumens/watt
- UL 1598C and CSA C22.2 No 250.1-16 compliant
- 5000k crisp white LEDs

MATERIALS

- Housing: Aluminum
- Lens: Polycarbonate

ADAPTABILITY

- Appleton V-51 Series
- Killark V Series

ORDERING INFORMATION AND SUITABILITY

	WEIGHT LBS / KG	WATTS	VOLTAGE	AMPS	LUMENS	C1D2		C2D2	
						40°C	55°C	40°C	55°C
VTR-1	0.80 / 0.36	9	120V 60Hz	0.05	1085	T6	T6	T3B	T3B
VTR-2	1.25 / 0.57	18	120V 60Hz	0.1	2100	T6	T5	T3B	T3B



Universal Retrofit



Compatible with Appleton and Killark

Easy Install



No tools required for installation

Saves Time



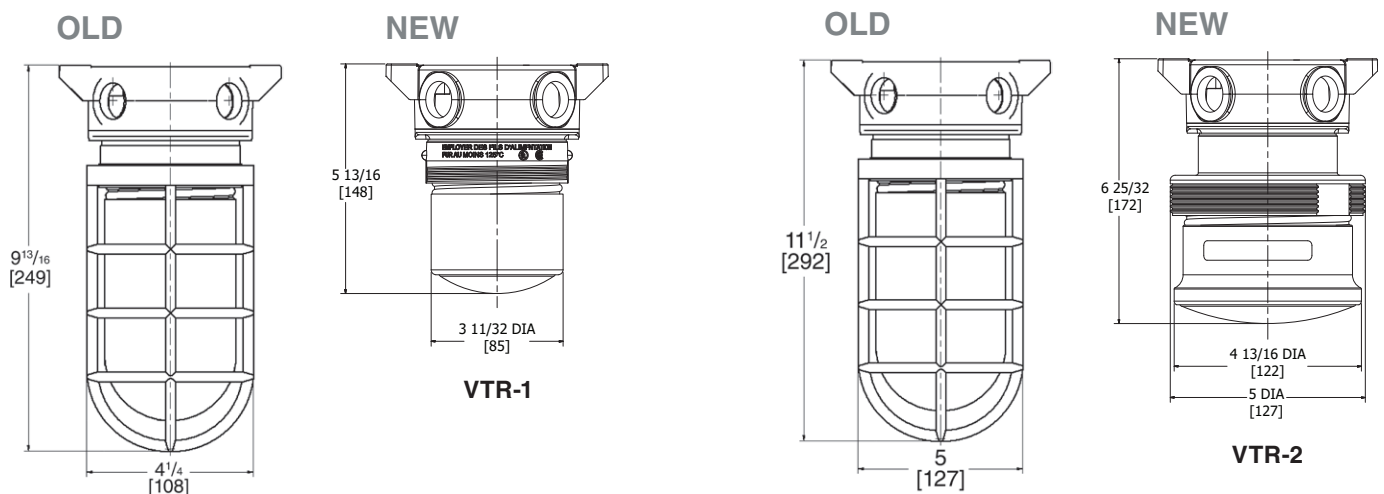
Installs in less than 60 seconds

Saves Money



Energy efficient LED uses 90% less power than conventional lighting fixtures

DIMENSIONS





WTR SERIES

KILLARK

WTR

Weather Tight LED Retrofit

Suitable for wet locations
Type 3, 4X



WTR-1



WTR-2

FEATURES

- High efficacy upto 120 lumens/watt
- UL 1598C and CSA C22.2 No 250.1-16 compliant
- 5000k crisp white LEDs

MATERIALS

- Housing: Aluminum
- Lens: Polycarbonate

ADAPTABILITY

- Appleton V-51 Series
- Killark V Series
- Cooper Crouse-Hinds V-Series
- Thomas & Betts Red-dot V

ORDERING INFORMATION AND SUITABILITY

	WEIGHT LBS / KG	WATTS	VOLTAGE	AMPS	LUMENS
WTR-1	0.80 / 0.36	9	120V 60Hz	0.05	1085
WTR-2	1.25 / 0.57	18	120V 60Hz	0.1	2100

KILLARK®

WWW.HUBBELL-KILLARK.COM





Universal Retrofit



Compatible with Cooper Crouse-Hinds, Appleton, Thomas & Betts, and Killark

Easy Install



No tools required for installation

Saves Time



Installs in less than 60 seconds

Saves Money



Energy efficient LED uses 90% less power than conventional lighting fixtures

DIMENSIONS

