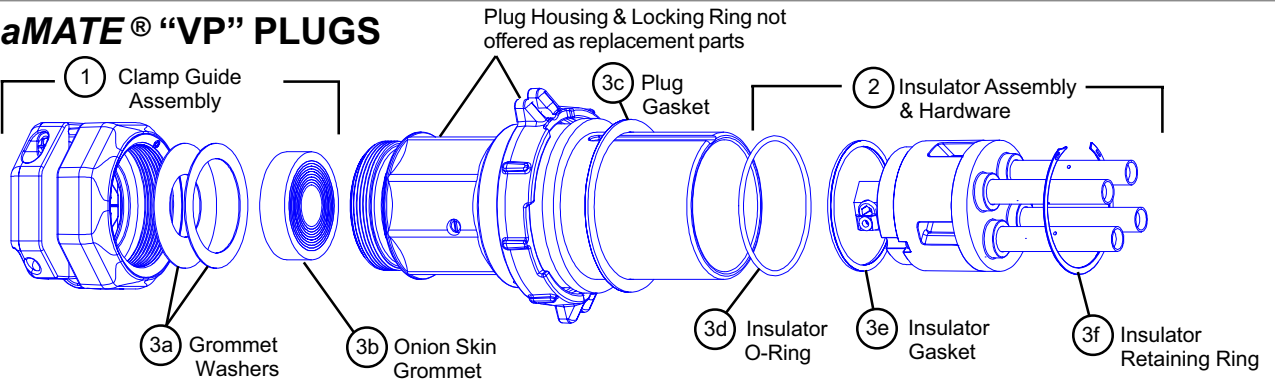


REPLACEMENT PARTS FOR *VersaMATE*® 200 AMP SERIES “VP” PLUGS, “VR” RECEPTACLES & “VPR” CABLE CONNECTORS

VersaMATE® “VP” PLUGS

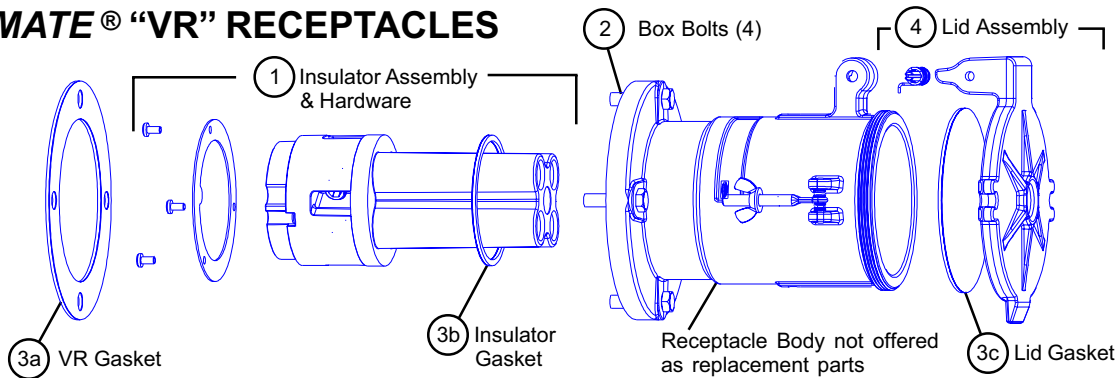


STYLE	DESCRIPTION	ITEM 1	ITEM 2	*ITEM 3
		CLAMP GUIDE ASSEMBLY	INSULATOR ASSEMBLY	GASKETS & WASHER
1	3W, 3P	RVP201	RVP203512	RVPG2033
1	4W, 4P		RVP204513	RVPG2043

* Note: Item 3 gaskets are sold as a kit.

STYLE	DESCRIPTION	ITEM 1	ITEM 2	*ITEM 3
		CLAMP GUIDE ASSEMBLY	INSULATOR ASSEMBLY	GASKETS & WASHER
2	2W, 3P	RVP201	RVP203612	RVPG2033
2	3W, 4P		RVP204612	RVPG2043

VersaMATE® “VR” RECEPTACLES

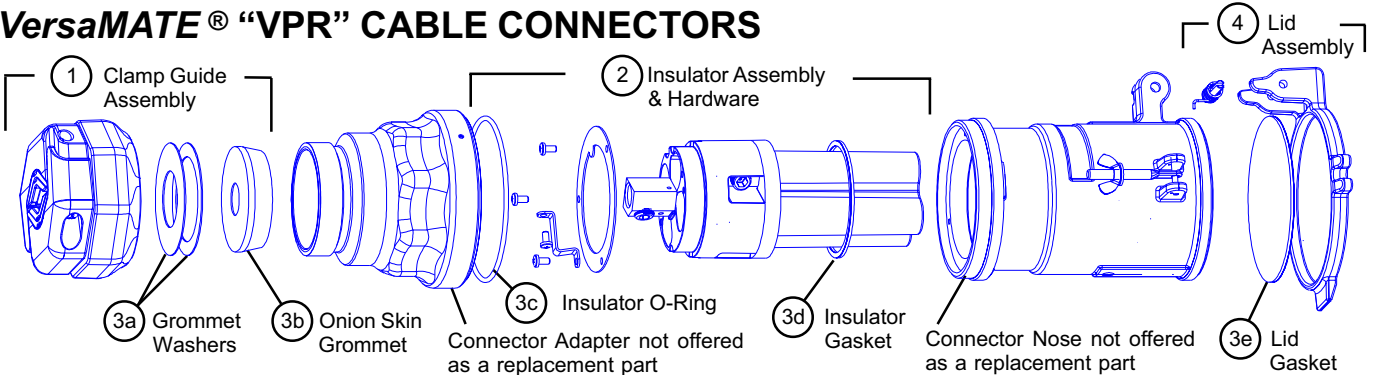


STYLE	DESCRIPTION	ITEM 1	ITEM 2	*ITEM 3	ITEM 4
		INSULATOR ASSEMBLY	BOX BOLTS QTY. (4)	GASKETS	LID ASSEMBLY
1	3W, 3P	RVR20312	RVRB201	RVRG2033	RVRL2034
1	4W, 4P	RVR20412		RVRG2043	RVRL2044

* Note: Item 3 gaskets are sold as a kit.

STYLE	DESCRIPTION	ITEM 1	ITEM 2	*ITEM 3	ITEM 4
		INSULATOR ASSEMBLY	BOX BOLTS QTY. (4)	GASKETS	LID ASSEMBLY
2	2W, 3P	RVR20322	RVRB201	RVRG2033	RVRL2034
2	3W, 4P	RVR20422		RVRG2043	RVRL2044

VersaMATE® “VPR” CABLE CONNECTORS



STYLE	DESCRIPTION	ITEM 1	ITEM 2	*ITEM 3	ITEM 4
		CLAMP GUIDE ASSEMBLY	INSULATOR ASSEMBLY	GASKETS & WASHERS	LID ASSEMBLY
1	3W, 3P	RVP201	RVPR203112	RVPRG2033	RVRL2034
1	4W, 4P		RVPR204113	RVPRG2043	RVRL2044

* Note: Item 3 gaskets are sold as a kit.

STYLE	DESCRIPTION	ITEM 1	ITEM 2	*ITEM 3	ITEM 4
		CLAMP GUIDE ASSEMBLY	INSULATOR ASSEMBLY	GASKETS & WASHERS	LID ASSEMBLY
2	2W, 3P	RVP201	RVPR203212	RVPRG2033	RVRL2034
2	3W, 4P		RVPR204212	RVPRG2043	RVRL2044