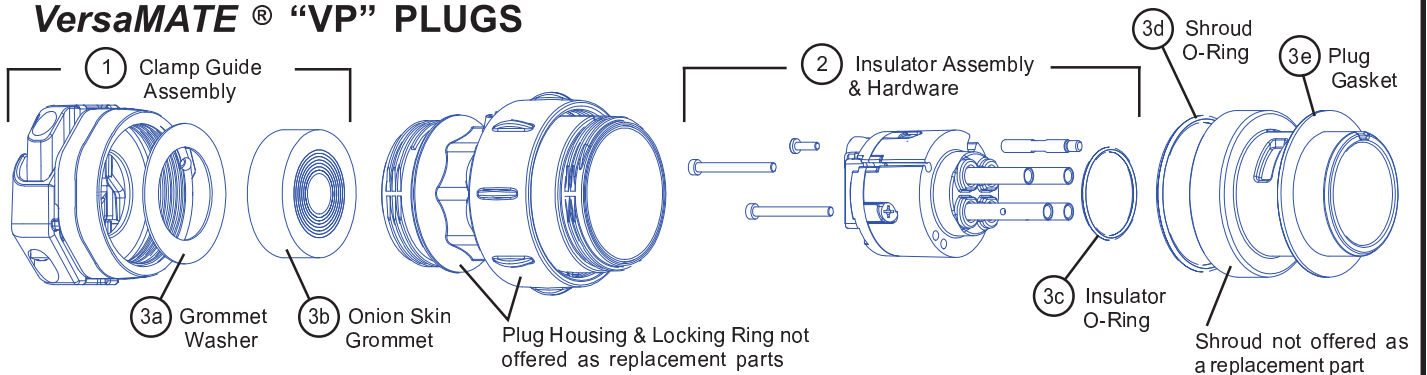


REPLACEMENT PARTS FOR *VersaMATE*® 30 AMP SERIES “VP” PLUGS, “VR” RECEPTACLES & “VPR” CABLE CONNECTORS

VersaMATE® “VP” PLUGS

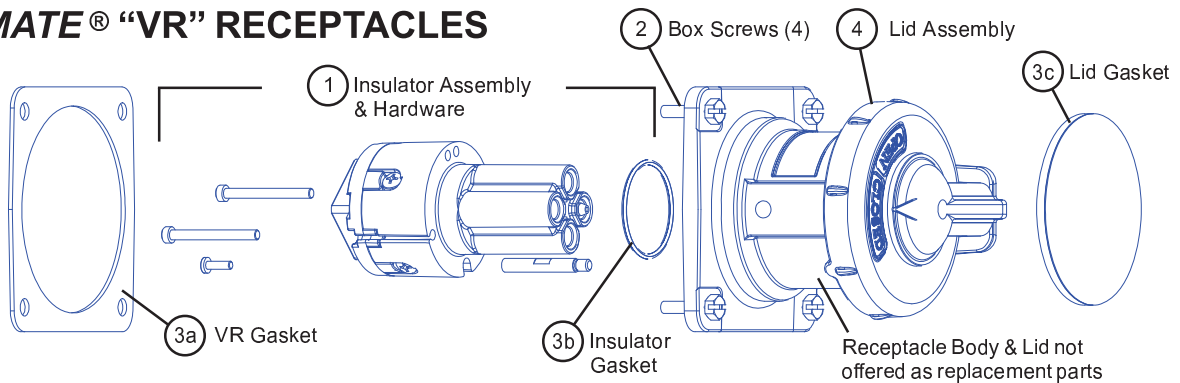


STYLE	DESCRIPTION	ITEM 1	ITEM 2	*ITEM 3
		CLAMP GUIDE ASSEMBLY	INSULATOR ASSEMBLY	GASKETS & WASHER
1	2W, 2P	RVP31	RVP30222	RVPG33
1	3W, 3P		RVP30332	
1	4W, 4P		RVP30442	

* Note: Item 3 gaskets are sold as a kit.

STYLE	DESCRIPTION	ITEM 1	ITEM 2	*ITEM 3
		CLAMP GUIDE ASSEMBLY	INSULATOR ASSEMBLY	GASKETS & WASHER
2	2W, 3P	RVP31	RVP30232	RVPG33
2	3W, 4P		RVP30342	

VersaMATE® “VR” RECEPTACLES

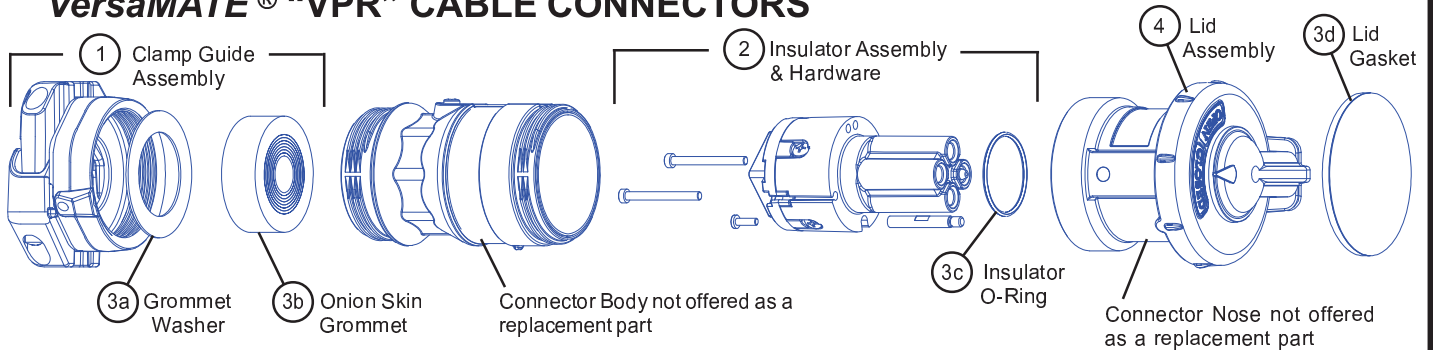


STYLE	DESCRIPTION	ITEM 1	ITEM 2	*ITEM 3	ITEM 4
		INSULATOR ASSEMBLY	BOX BOLTS QTY. (4)	GASKETS	LID ASSEMBLY
1	2W, 2P	RVR30222	RVRB31	RVRG33	RVRL34
1	3W, 3P	RVR30332			
1	4W, 4P	RVR30442			

* Note: Item 3 gaskets are sold as a kit.

STYLE	DESCRIPTION	ITEM 1	ITEM 2	*ITEM 3	ITEM 4
		INSULATOR ASSEMBLY	BOX BOLTS QTY. (4)	GASKETS	LID ASSEMBLY
2	2W, 3P	RVR30232	RVRB31	RVRG33	RVRL34
2	3W, 4P	RVR30342			

VersaMATE® “VPR” CABLE CONNECTORS



STYLE	DESCRIPTION	ITEM 1	ITEM 2	*ITEM 3	ITEM 4
		CLAMP GUIDE ASSEMBLY	INSULATOR ASSEMBLY	GASKETS & WASHER	LID ASSEMBLY
1	2W, 2P	RVP31	RVR30222	RVPRG33	RVRL34
1	3W, 3P		RVR30332		
1	4W, 4P		RVR30442		

* Note: Item 3 gaskets are sold as a kit.

STYLE	DESCRIPTION	ITEM 1	ITEM 2	*ITEM 3	ITEM 4
		CLAMP GUIDE ASSEMBLY	INSULATOR ASSEMBLY	GASKETS & WASHER	LID ASSEMBLY
2	2W, 3P	RVP31	RVR30232	RVPRG33	RVRL34
2	3W, 4P		RVR30342		