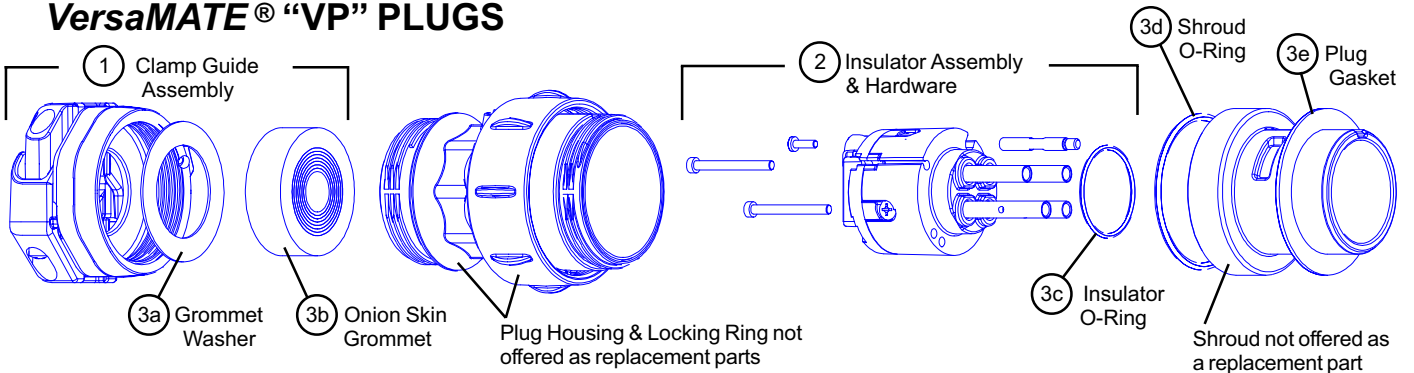


# REPLACEMENT PARTS FOR *VersaMATE*® 60 AMP SERIES “VP” PLUGS, “VR” RECEPTACLES & “VPR” CABLE CONNECTORS

## *VersaMATE*® “VP” PLUGS

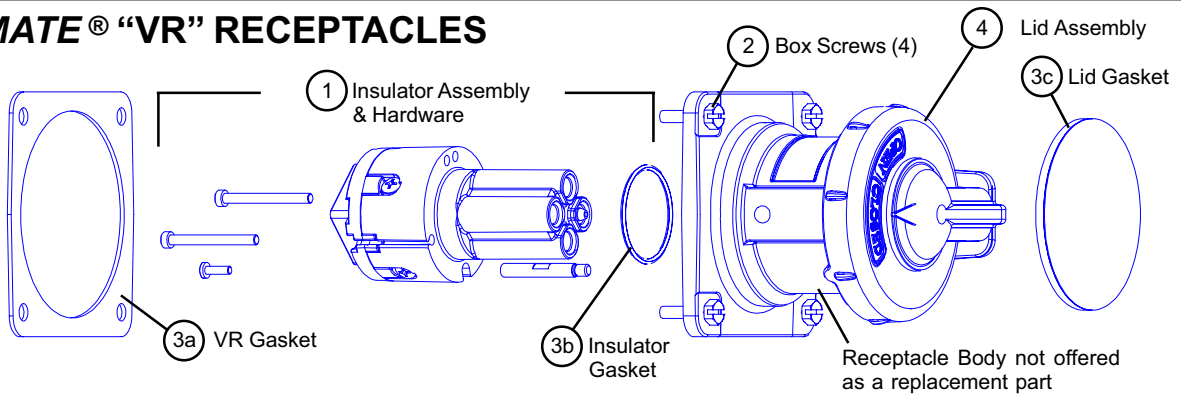


STYLE	DESCRIPTION	ITEM 1	ITEM 2	*ITEM 3
		CLAMP GUIDE ASSEMBLY	INSULATOR ASSEMBLY	GASKETS & WASHER
1	2W, 2P	RVP61	RVP62752	RVPG633
1	3W, 3P		RVP63752	RVPG643
1	4W, 4P		RVP64752	RVPG643

\* Note: Item 3 gaskets are sold as a kit.

STYLE	DESCRIPTION	ITEM 1	ITEM 2	*ITEM 3
		CLAMP GUIDE ASSEMBLY	INSULATOR ASSEMBLY	GASKETS & WASHER
2	2W, 3P	RVP61	RVP63852	RVPG633
2	3W, 4P		RVP64852	RVPG643

## *VersaMATE*® “VR” RECEPTACLES

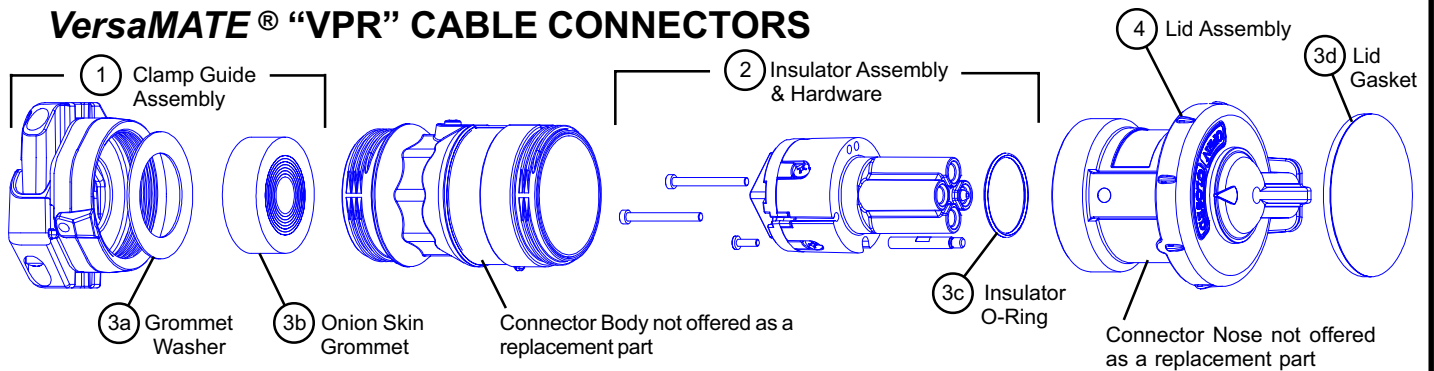


STYLE	DESCRIPTION	ITEM 1	ITEM 2	*ITEM 3	ITEM 4
		INSULATOR ASSEMBLY	BOX BOLTS QTY. (4)	GASKETS	LID ASSEMBLY
1	2W, 2P	RVR6212	RVRB6101	RVRG633	RVRL634
1	3W, 3P	RVR6312		RVRG643	RVRL644
1	4W, 4P	RVR6412		RVRG643	RVRL644

\* Note: Item 3 gaskets are sold as a kit.

STYLE	DESCRIPTION	ITEM 1	ITEM 2	*ITEM 3	□
		INSULATOR ASSEMBLY	BOX BOLTS QTY. (4)	GASKETS	LID ASSEMBLY
2	2W, 3P	RVR6322	RVRB6101	RVRG633	RVRL634
2	3W, 4P	RVR6422		RVRG643	RVRL644

## *VersaMATE*® “VPR” CABLE CONNECTORS



STYLE	DESCRIPTION	ITEM 1	ITEM 2	*ITEM 3	ITEM 4
		CLAMP GUIDE ASSEMBLY	INSULATOR ASSEMBLY	GASKETS & WASHER	LID ASSEMBLY
1	2W, 2P	RVP61	RVR6212	RVPRG633	RVRL634
1	3W, 3P		RVR6312	RVPRG643	RVRL644
1	4W, 4P		RVR6412	RVPRG643	RVRL644

\* Note: Item 3 gaskets are sold as a kit.

STYLE	DESCRIPTION	ITEM 1	ITEM 2	*ITEM 3	ITEM 4
		CLAMP GUIDE ASSEMBLY	INSULATOR ASSEMBLY	GASKETS & WASHER	LID ASSEMBLY
2	2W, 3P	RVP61	RVR6322	RVPRG633	RVRL634
2	3W, 4P		RVR6422	RVPRG643	RVRL644