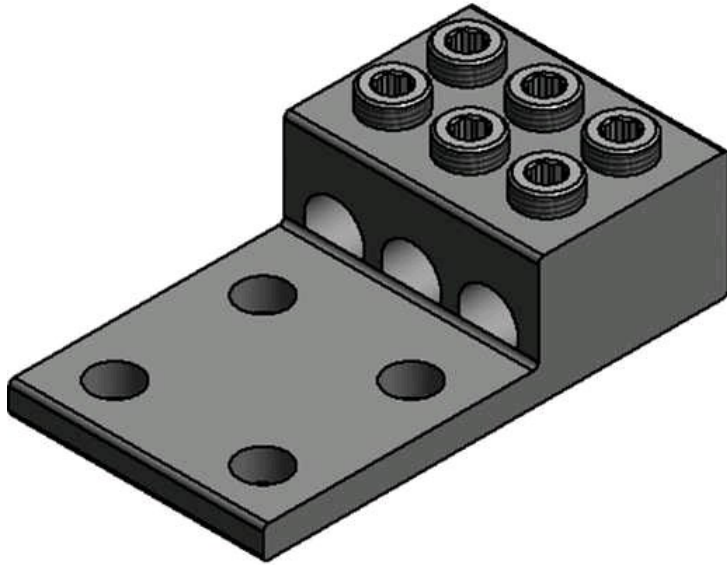


L3D4-1000I

by CMC
Catalog ID: L3D4-1000I



Heavy-duty transformer connectors, uni-joint, Dual rated connectors for Aluminum or Copper conductors

- Clear Plated for low-contact resistance.
- Fully tested to ANSI C119.4 for Class 'A' connectors.
- Supplied with aluminum radial tipped set-screws.
- Connector fabricated from 6061-T6 aluminum alloy for conductivity and strength.
- Designed for installation on standard two and four-hole spades.
- All mounting holes 1.75" on center line.
- For installation, CMC® recommends the use of a 9" insulated Allen wrench.
- A torque wrench should be used to ensure the proper torque is achieved.

Product Details

General

Material	Aluminum Alloy, 6061-T6
Type	Bolted Lugs & Terminals
UPC	192663088447

Dimensions

Depth	0.56 in
Height	1.88 in
Length	6.19 in
Width	4.92 in

Electrical Ratings

Voltage Rating	600 V
----------------	-------

Conductor Related

Conductor Range	1000 Kcmil-350 Kcmil
Number Of Conductors	3



CONNECTOR MANUFACTURING COMPANY
3501 Symmes Road
Hamilton, Ohio 45015 - 1369
513 - 860 - 4455(Press 2 for Customer Service and Sales)
To email customer Service: [jrex @cmclugs.com](mailto:jrex@cmclugs.com)

