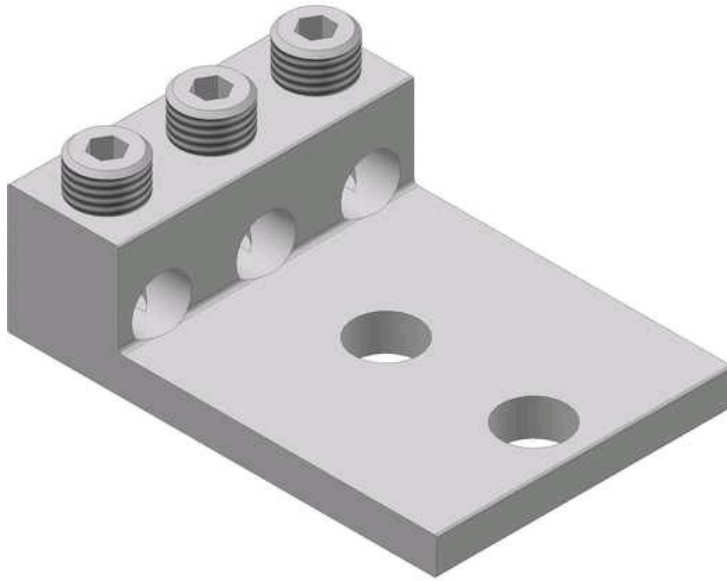


L3M2-3/0

by CMC
Catalog ID: L3M2-3/0



Dual Rated Solderless Connector, wire range 3/0 AWG - 6 AWG. TYPE: L3M2 / L3D2 / L3M4 / L3D4. CMC® Three conductor solderless connectors are manufactured from high strength 6061-T6 aluminum alloy to insure both maximum strength and conductivity. They are dual rated for both copper and aluminum conductors and are electro tin plated to provide low contact resistance and protection against corrosion. Assembly can be made with only a screwdriver or allen wrench and the connectors are reusable. 90° C Rated (486B Listed). UL listed and CSA certified.

- Manufactured from high strength 6061-T6 aluminum alloy to ensure both maximum strength and conductivity.
- Assembly can be made with only a screwdriver or Allen wrench
- Connectors are reusable
- Material: Aluminum

Product Details

General

Material	6061-T6 Aluminum
Type	Bolted Lugs & Terminals
UPC	192663018116

Dimensions

Height	1.19 in
Length	4.25 in
Width	2.81 in

Conductor Related

Conductor - Copper Str Size Range	3/0-6 AWG
-----------------------------------	-----------



CONNECTOR MANUFACTURING COMPANY
3501 Symmes Road
Hamilton, Ohio 45015 - 1369
513 - 860 - 4455(Press 2 for Customer Service and Sales)
To email customer Service: [jrex @cmclugs.com](mailto:jrex@cmclugs.com)

