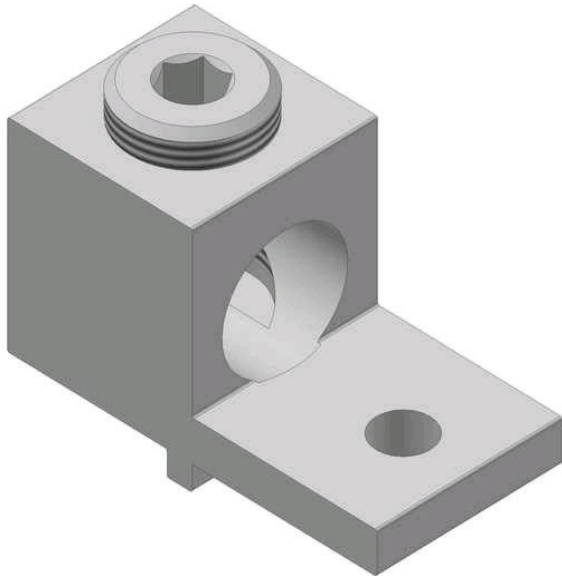


LA-600R

by CMC
Catalog ID: LA-600R



Dual Rated Solderless Connector, wire range 600 AWG -4 AWG. TYPE: LA - Anti-Turn Series .CMC® L-shaped single hole solderless connectors are manufactured from high strength 6061-T6 aluminum alloy to insure both maximum strength and conductivity. They are dual rated for both copper and aluminum conductors and are electro tin plated to provide low contact resistance and protection against corrosion. Assembly can be made with only a screwdriver or allen wrench and the connectors are reuseable. 90° C Rated (486B Listed). UL listed and CSA certified.

- CMC L-shaped, single hole, solderless connectors are manufactured from high strength 6061-T6 aluminum alloy to ensure both maximum strength and conductivity.
- Electro tin plated to provide low contact resistance and protection against corrosion.
- Assembly can be made with only a screwdriver or Allen wrench and the connectors are reusable.

Product Details

General

Material	6061-T6 Aluminum
Type	Bolted Lugs & Terminals
UPC	192663023189

Dimensions

Height	1.57 in
Length	2.75 in
Width	1.38 in

Conductor Related

Conductor - Copper Str Size Range	600 Kcmil-4 AWG
Conductor Range	600 Kcmil-2 AWG