

# LAJ20

20" LA JOLLA LUMINAIRE

## FEATURES

- 16 Large or 10¾ Medium Scale
- Choice of Acrylic, Polycarbonate Lensing
- IES Distributions
- Clear or Diffused Lensing
- Integral surge and thermal protection



## CONTROL TECHNOLOGY



## SPECIFICATIONS

### CONSTRUCTION

- All cast aluminum parts shall be low copper alloy A356. All extruded aluminum parts shall be alloy 6061-T6, 6063-T5 or equal
- All fasteners shall be Corrosion Resistant. When tamper resistant fasteners are required, spanner HD (snake eye) style shall be provided (special tool required, available at additional cost)
- The upper chamber/lid shall be topped by a decorative cast aluminum finial/cap and mechanically fastened to the optical chamber. The cast multi-sided cage shall accommodate UV stabilized acrylic or polycarbonate lenses (side panels) which shall be sealed for weather tight operation
- The electrical chamber/fitter shall be aluminum, decorative fitter designed to accommodate the ballast assembly and shall mount to 3 OD x 3" H tenon and secured by three stainless steel set screws

### ELECTRICAL

- Each luminaire is supplied with an optical one piece cartridge system consisting of an LED engine, LED lamps, optics, gasket and stainless steel bezel. The cartridge is held together with internal brass standoffs soldered to the board so that it can be field replaced as a one piece optical system. Two-piece silicone and polycarbonate foam gasket ensures a weather-proof seal around each individual LED and allows the luminaire to be rated for high-pressure hose down applications

### ELECTRICAL (CONTINUED)

- The optical cartridge is secured to the extruded housing with fasteners and a heat pad to ensure thermal conductivity. The optics are held in place without the use of adhesives and the complete assembly is gasketed for high pressure hose down cleaning. The cartridge assembly is available in various lighting distributions using a specially designed acrylic optical lens over each LED
- Luminaire shall have a minimum CRI of 67 at 5000K
- Shall be able to operate normally in ambient temperatures from -40°C to 40°C
- The on-board surge protector shall be a UL recognized component for the United States and Canada and have a surge current rating of 20,000 Amps using the industry standard 8/20 pSec wave. The LSP shall have a clamping voltage of 825V and surge rating of 540J. The case shall be a high-temperature, flame resistant plastic enclosure
- Luminaires are equipped with LED driver(s) that accept 90 through 305 VAC, 50 Hz to 60 Hz (UNIV). Power factor is .92 at full load. All driver components supplied are component-to-component wiring within the luminaire will carry no more than 80% of rated current and is listed by UL for use at 600VAC at 50°C or higher. Plug disconnects are listed by UL for use at 600 VAC, 15A or higher

### CERTIFICATIONS

- U.L. UL1310, Class 2 and UL48 compliant
- The luminaire shall bear an NRTL label and be marked suitable for wet locations

### WARRANTY

- 5 year warranty
- See [HLI Standard Warranty](#) for additional information

# LAJ20

20" LA JOLLA LUMINAIRE

DATE: \_\_\_\_\_ LOCATION: \_\_\_\_\_

TYPE: \_\_\_\_\_ PROJECT: \_\_\_\_\_

CATALOG #: \_\_\_\_\_

## ORDERING GUIDE

**Example:** LAJ20-AC-24L-27-3K-UNV-DIR2-PEC-GENI-04-PT-BBT

CATALOG # \_\_\_\_\_

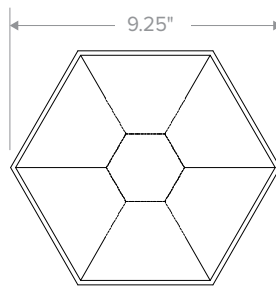
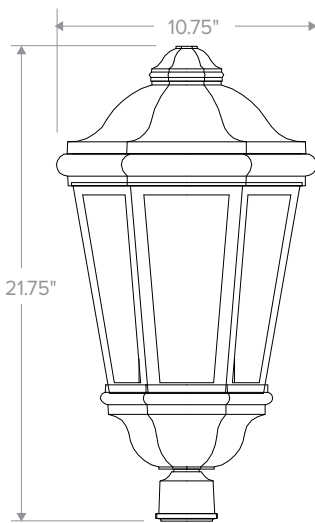
Model	Lens Option	Engine-Watts	CCT - Color Temp	Voltage	Optics	Electrical Options
<b>LAJ20</b> La Jolla 20"	<b>AC</b> Acrylic, clear <b>AF</b> Acrylic, frosted <b>AS</b> Acrylic, seeded <b>AW</b> Acrylic, white <b>PC</b> Polycarbonate, clear <b>PF</b> Polycarbonate, frosted	<b>24L-27</b> 27 Watts - LED array	<b>3K7</b> 3000K <b>4K7</b> 4000K <b>5K7</b> 5000K	<b>UNV</b> 120-277V	<b>DIR2</b> Direct, Type II <b>DIR3</b> Direct, Type III <b>DIR4</b> Direct, Type IV <b>DIR5</b> Direct, Type V	<b>PEC</b> Photocell, button

Control Options	Mounting Options	Color
<b>GENI-XX</b> Energeni <sup>1</sup>	<b>PT</b> Post Top	<b>BLT</b> Black Matte Textured <b>BLS</b> Black Gloss Smooth <b>DBT</b> Dark Bronze Matte Textured <b>DBS</b> Dark Bronze Gloss Smooth <b>GTT</b> Graphite Matte Textured <b>LGS</b> Light Grey Gloss Smooth <b>PSS</b> Platinum Silver Smooth <b>WHT</b> White Matte Textured <b>WHS</b> White Gloss Smooth <b>VGT</b> Verde Green Textured
		<b>Color Option</b> <b>CC</b> Custom Color

**Notes:**

- When ordering Energeni, specify the routine setting code (example GENI-04). See [Energeni brochure](#) and [Energeni instructions](#) for setting table and options. Not available with sensor options

## DIMENSIONS

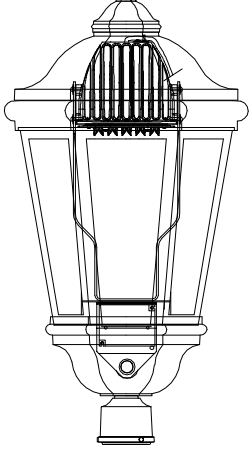


# LAJ20

20" LA JOLLA LUMINAIRE

## ADDITIONAL INFORMATION

### MOUNTING OPTIONS



Post Top

## USE OF TRADEMARKS AND TRADE NAMES

All product and company names, logos and product identifies are trademarks <sup>™</sup> or registered trademarks <sup>®</sup> of Hubbell Lighting, Inc. or their respective owners. Use of them does not necessarily imply any affiliation with or endorsement by such respective owners.