

LAJ30

30" LA JOLLA LUMINAIRE

FEATURES

- 30" six sided lantern
- Choice of acrylic, polycarbonate lensing
- IES Distributions
- Clear or diffused lensing
- Integral surge and thermal protection



RELATED PRODUCTS

- [⌘ Acorn](#)
 [⌘ Traditional](#)
 [⌘ Windsor](#)

CONTROL TECHNOLOGY



SPECIFICATIONS

CONSTRUCTION

- All cast aluminum parts are low copper alloy A356. All extruded aluminum parts are alloy 6061-T6, 6063-T5 or equal
- All fasteners are Corrosion Resistant. When tamper resistant fasteners are required, spanner HD (snake eye) style is provided (special tool required, available at additional cost)
- The upper chamber/lid is topped by a decorative cast aluminum finial/cap and mechanically fastens to the optical chamber
- The cast multi-sided cage accommodates UV stabilized acrylic or polycarbonate lenses (side panels), sealed for weather tight operation
- The electrical chamber/fitter is an aluminum, decorative fitter designed to accommodate the driver assembly, mounts to 3" OD x 3" H tenon and secured by three stainless steel set screws

ELECTRICAL

- Each luminaire is supplied with an optical one piece cartridge system consisting of an LED engine, optics, gasket and stainless steel bezel. The cartridge is held together with internal brass standoffs soldered to the board so that it can be field replaced as a one piece optical system. Two-piece silicone and polycarbonate foam gasket ensure a weather-proof seal around each individual LED and allow the luminaire to be rated for high-pressure hose down applications

ELECTRICAL (CONTINUED)

- The optical cartridge is secured to the extruded housing with fasteners and a heat pad to ensure thermal conductivity. The optics are held in place without the use of adhesives and the complete assembly is gasketed for high pressure hose down cleaning. The cartridge assembly is available in various lighting distributions using a specially designed acrylic optical lens over each LED
- Able to operate normally in ambient temperatures from -40°C to 40°C
- The on-board surge protector is a UL recognized component for the United States and Canada and has a surge current rating of 20,000 Amps using the industry standard 8/20 pSec wave
- The LSP has a clamping voltage of 825V and surge rating of 540J. The case is a high-temperature, flame resistant plastic enclosure
- Luminaires are equipped with LED driver(s) that accept 90 through 305 VAC, 50 Hz to 60 Hz (UNIV). Power factor is .92 at full load
- All driver components supplied are component-to-component wiring within the luminaire, carry no more than 80% of rated current and listed by UL for use at 600VAC at 50°C or higher. Plug disconnects are listed by UL for use at 600 VAC, 15A or higher

CERTIFICATIONS

- U.L. UL1310, Class 2 and UL48 compliant
- The luminaire has an NRTL label and be marked suitable for wet locations

WARRANTY

- 5 year warranty
- See [HLI Standard Warranty](#) for additional information

KEY DATA	
Lumen Range	1700–10,000
Wattage Range	27–136
Efficacy Range (LPW)	59–76
Weight lbs. (kg)	40 (18)

LAJ30

30" LA JOLLA LUMINAIRE

DATE: _____ LOCATION: _____

TYPE: _____ PROJECT: _____

CATALOG #: _____

ORDERING GUIDE

Example: LAJ30-AC-24L-27-3K7-UNV-DIR2-PEC-GENI-XX-PT-BLT

CATALOG #

LAJ30		Lens Option		Engine-Watts		CCT/CRI		Voltage		Optics	
Model											
LAJ30	La Jolla 30"	AC	Acrylic, clear	24L-27	27 Watts - LED array	3K7	3000K, 70 CRI	UNV	120-277V	DIR2	Direct, Type II
		AS	Acrylic, seeded	36L-80	80 Watts - LED array	4K7	4000K, 70 CRI	347	347V	DIR3	Direct, Type III
		AW	Acrylic, white	48L-110	100 Watts - LED array	5K7	5000K, 70 CRI	480	480V	DIR4	Direct, Type IV
		PC	Polycarbonate, clear	60L-136	136 Watts - LED array					DIR5	Direct, Type V
		PF	Polycarbonate, frosted								

PEC		GENI-XX		Mounting Options		Color	
Electrical Options		Control Options					
PEC	Photocell, button	GENI-XX	Energeni ¹	PT	Post Top	BLT	Black Matte Textured
						BLS	Black Gloss Smooth
						DBT	Dark Bronze Matte Textured
						DBS	Dark Bronze Gloss Smooth
						GTT	Graphite Matte Textured
						LGS	Light Grey Gloss Smooth
						PSS	Platinum Silver Smooth
						WHT	White Matte Textured
						WHS	White Gloss Smooth
						VGT	Verde Green Textured
						Color Option	
						CC	Custom Color

Notes:
 1 When ordering Energeni, specify the routine setting code (example GENI-04). See Energeni brochure and Energeni instructions for setting table and options. Not available with sensor options

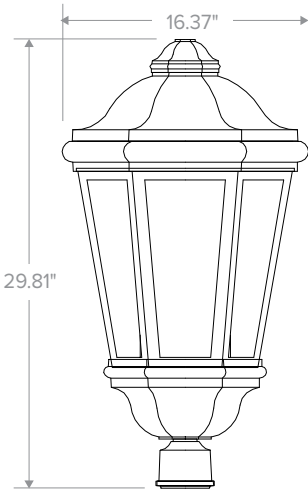
PERFORMANCE DATA

# LED'S	120-277V	Type	5K (5000K nominal, 70CRI)					4K (4000K nominal, 70CRI)					3K (3000K nominal, 70CRI)				
			Lumens	LPW ¹	B	U	G	Lumens	LPW ¹	B	U	G	Lumens	LPW ¹	B	U	G
24	27	DIR2	1784	66	1	1	1	1819	67	1	1	1	1637	61	1	1	1
		DIR3	1892	70	1	2	1	1930	71	1	2	1	1737	64	1	2	1
		DIR4	1892	70	1	2	1	1930	71	1	2	1	1737	64	1	2	1
		DIR5	1954	72	2	2	1	1993	74	2	2	1	1794	66	1	2	1
24	55	DIR2	3640	64	1	1	2	3713	65	1	1	2	3341	59	1	1	2
		DIR3	3861	68	1	3	2	3939	69	1	3	2	3545	62	1	3	2
		DIR4	3861	68	1	3	2	3938	69	1	2	1	3544	62	1	2	1
		DIR5	3967	70	3	3	2	4047	71	3	3	2	3642	64	2	3	2
36	80	DIR2	5460	67	2	1	2	5569	68	2	1	2	5012	61	1	1	2
		DIR3	5792	71	2	3	3	5908	72	2	3	3	5317	65	1	3	3
		DIR4	5791	71	1	2	2	5907	72	1	2	2	5316	65	1	2	2
		DIR5	5951	73	3	3	3	6070	74	3	3	3	5463	67	3	3	3
48	110	DIR2	7280	66	2	1	2	7425	67	2	1	3	6683	60	2	1	2
		DIR3	7723	70	2	3	3	7877	71	2	3	3	7090	64	2	3	3
		DIR4	7721	70	1	3	2	7876	71	1	3	2	7088	64	1	3	2
		DIR5	7935	71	3	3	3	8093	73	3	3	3	7284	66	3	3	3
60	136	DIR2	9100	67	2	1	3	9282	68	2	1	3	8354	61	2	1	3
		DIR3	9653	72	2	3	3	9846	74	2	3	3	8862	66	2	3	3
		DIR4	9652	71	1	2	3	9845	73	1	2	3	8859	65	1	2	3
		DIR5	9918	74	4	3	3	10116	76	4	3	3	9105	68	3	3	3

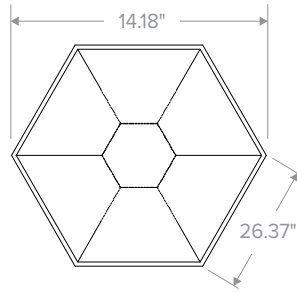
LAJ30

30" LA JOLLA LUMINAIRE

DIMENSIONS



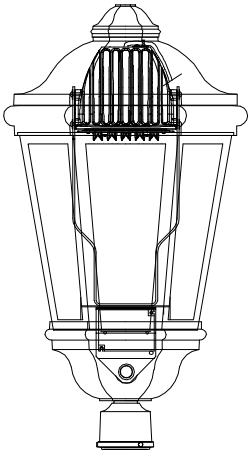
Side View



Top View

ADDITIONAL INFORMATION

MOUNTING OPTIONS



Post Top

USE OF TRADEMARKS AND TRADE NAMES

All product and company names, logos and product identifies are trademarks™ or registered trademarks® of Hubbell Lighting, Inc. or their respective owners. Use of them does not necessarily imply any affiliation with or endorsement by such respective owners.

DATE: _____ LOCATION: _____

TYPE: _____ PROJECT: _____

CATALOG #: _____