

LBSSES-RD-RM

EDGE-LIT ROUND SWITCHABLE CCT DOWNLIGHT W/ REMOTE J-BOX

LITEBOX®
edge-lit

FEATURES

- 4", 6", and 8" aperture, delivering 750-1750 lumens
- Low surface profile of 1/2"
- Remote Driver J-Box included
- Quick snap installation with no housing required
- CCT Switchable (2700K/3000K/3500K/4000K, 90+ CRI)
- Universal 120-277V, ideal for commercial applications
- All models standard with 0-10V/Triac/ELV dimming



RELATED PRODUCTS

- [4" Edge-lit Family](#)
- [6" Edge-lit Family](#)
- [8" Edge-lit Family](#)

SERVICE PROGRAMS



SPECIFICATIONS

CONSTRUCTION

- Durable cast aluminum low profile trim with 1/2" surface profile
- Suitable for IC or Non-IC remodel or new construction (install from below)
- Can be installed in areas with as little as 3.5" ceiling plenum space
- Metal remote driver J-Box eliminates the need for existing J-Box or recessed housing
- Plenum rated cables with quick connects from LED trim to remote J-Box; optional extension cables allow longer distances
- Optional non-conductive Decorative Color Trim accessories available in White, Black, Silver, and Brushed Oil Rubbed Bronze
- EM Battery Pack accessory with integral test switch/indicator can be field installed to provide 90 minutes of emergency power
- Unobtrusive EM ring adds only 1/16" to overall profile height; blends seamlessly with nearby standard fixtures

OPTICS

- Utilizes the latest Edge-Lit LED technology
- Integral diffuse polycarbonate lens provides uniform light distribution
- Light distribution is free of distracting bright spots
- Visually comfortable with low glare

ELECTRICAL

- Edge-Lit LED array with 3 SDCM color consistency
- Long LED life: Maintains 80% of lumen output at 54,000 hours of operation, L80 at >54,000 hours (TM-21)
- CCT Switchable (2700K/3000K/3500K/4000K)
- 90+ CRI with R9 >50
- High efficiency integral driver with universal 120V-277V, 50/60Hz
- All models have flicker-free dimming with 120-277V 0-10V Dim to Off or 120V Triac or ELV phase cut to 5%
- See Additional Information section for a list of recommended dimmers
- EMI: Meets Class A (<24dba) noise rating, FCC CFR 47 Part 15 Class B, ≥0.9 Power Factor, <20% THD

INSTALLATION

- Easily installs into a 3.5" hole saw cutout
- Adjustable mounting wings on remodel sleeve accommodates 3/8" to 1" ceiling thickness
- Remote driver J-Box includes 7/8" conduit knockouts and keyholes with pryouts to mechanically attach to structure
- Trim mounts to remodel sleeve with quick snap retention clips for a secure fit
- CCT Switchable: Field select one of four CCTs at installation with an integral switch accessible on the remote J-Box

CERTIFICATIONS

- cETLus listed to UL 1598
- Can be used in direct contact with insulation (IC Rated)
- Suitable for wet locations, covered ceiling
- Certified Air Tight per ASTM E283
- Suitable for use in clothes closets when installed in accordance to N.E.C. 410.16
- ENERGY STAR® certified
- Meets CA Title 24 High Efficacy (JA8 2019) requirements
- EM Accessory: ETL Listed to UL 924 (for use with LiteBox® Edge-lit Remote Mount models only)

WARRANTY

- 5 year warranty
- See [HLI Standard Warranty](#) for additional information

KEY DATA	
Lumen Range	783-1973
Wattage Range	10.4-20.0
Efficacy Range (LPW)	75-99
Reported Life (Hours)	L80 / >54,000
Input Current (mA)	88-164 (120V)

LBSES-RD-RM

EDGE-LIT ROUND SWITCHABLE CCT DOWNLIGHT W/ REMOTE J-BOX



Click icon for Stock list and details

ORDERING GUIDE

Example: LBSES-4RD-RM-CS9-WH

 CATALOG #

HOUSING

LBSES	Aperture/Shape/Function	RM	CS9	WH
Model/CCT Configuration		Mounting	CCT/CRI	Trim Color
LBSES Edge-Lit Surface, Switchable CCT, 120-277V with 0-10V/Triac/ELV dimming	4RD 4" Round, 750 Lumens 6RD 6" Round, 1100 Lumens 8RD 8" Round, 1750 Lumens	RM Remote Driver J-Box	CS9 Switchable CCT, 90+ CRI 2700K/3000K/3500K/4000K	WH White

Accessories: (Order separately)

- LBSE-4RD-T-WH** Trim Accessory, 4" Round, White
- LBSE-4RD-T-BL** Trim Accessory, 4" Round, Black
- LBSE-4RD-T-BBZ** Trim Accessory, 4" Round, Brushed Oil Rubbed Bronze
- LBSE-4RD-T-SVR** Trim Accessory, 4" Round, Silver

- LBSE-6RD-T-WH** Trim Accessory, 6" Round, White
- LBSE-6RD-T-BL** Trim Accessory, 6" Round, Black
- LBSE-6RD-T-BBZ** Trim Accessory, 6" Round, Brushed Oil Rubbed Bronze
- LBSE-6RD-T-SVR** Trim Accessory, 6" Round, Silver

- LBSE-8RD-T-WH** Trim Accessory, 8" Round, White
- LBSE-8RD-T-BL** Trim Accessory, 8" Round, Black
- LBSE-8RD-T-BBZ** Trim Accessory, 8" Round, Brushed Oil Rubbed Bronze
- LBSE-8RD-T-SVR** Trim Accessory, 8" Round, Silver

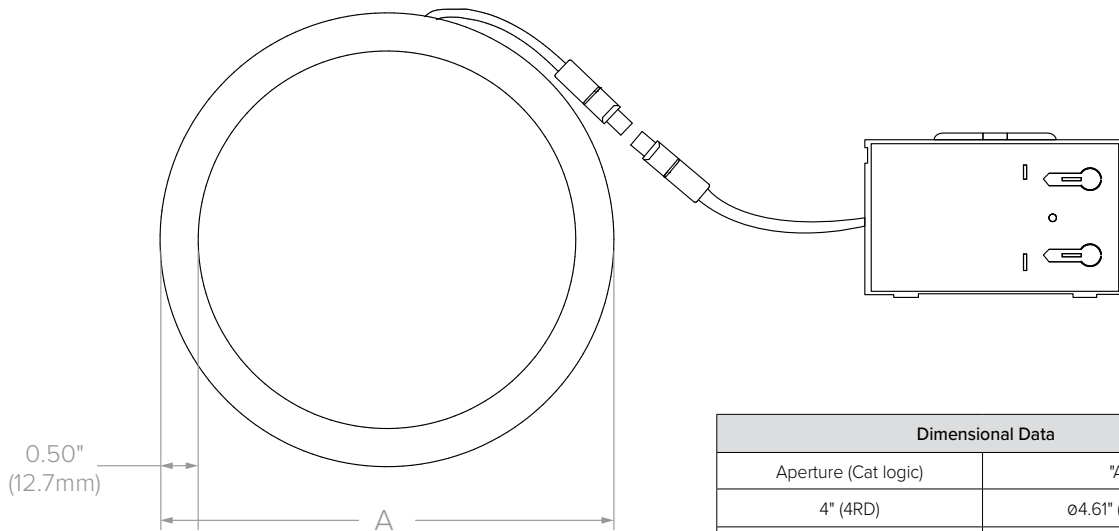
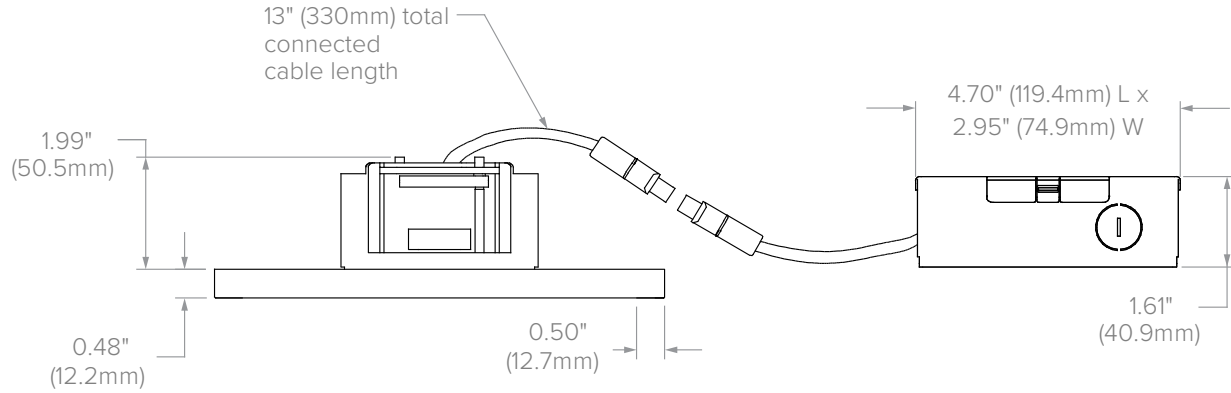
- LBSES-C-12** Extension Cable, LBSE/LBSES, 12"
- LBSES-C-24** Extension Cable, LBSE/LBSES, 24"

- LBSE-4RD-EM-WH** EM Accessory, 4" Round, White
- LBSE-4RD-EM-BL** EM Accessory, 4" Round, Black
- LBSE-6RD-EM-WH** EM Accessory, 6" Round, White
- LBSE-6RD-EM-BL** EM Accessory, 6" Round, Black
- LBSE-8RD-EM-WH** EM Accessory, 8" Round, White
- LBSE-8RD-EM-BL** EM Accessory, 8" Round, Black
- LBSE-C-24-EM** Extension Cable, EM, 24"

LBSSES-RD-RM

EDGE-LIT ROUND SWITCHABLE CCT DOWNLIGHT W/ REMOTE J-BOX

DIMENSIONS



Dimensional Data	
Aperture (Cat logic)	"A"
4" (4RD)	ø4.61" (117.1mm)
6" (6RD)	ø6.00" (152.4mm)
8" (8RD)	ø8.00" (203.2mm)

Dimensional Data	
Ceiling Cutout	ø3.50" (88.9mm)
Ceiling Thickness	.38" to 1.00" (9.7mm to 25.4mm)

Recommended minimum plenum clearance: 3.50" (88.9mm)

LBSSES-RD-RM

EDGE-LIT ROUND SWITCHABLE CCT DOWNLIGHT W/ REMOTE J-BOX

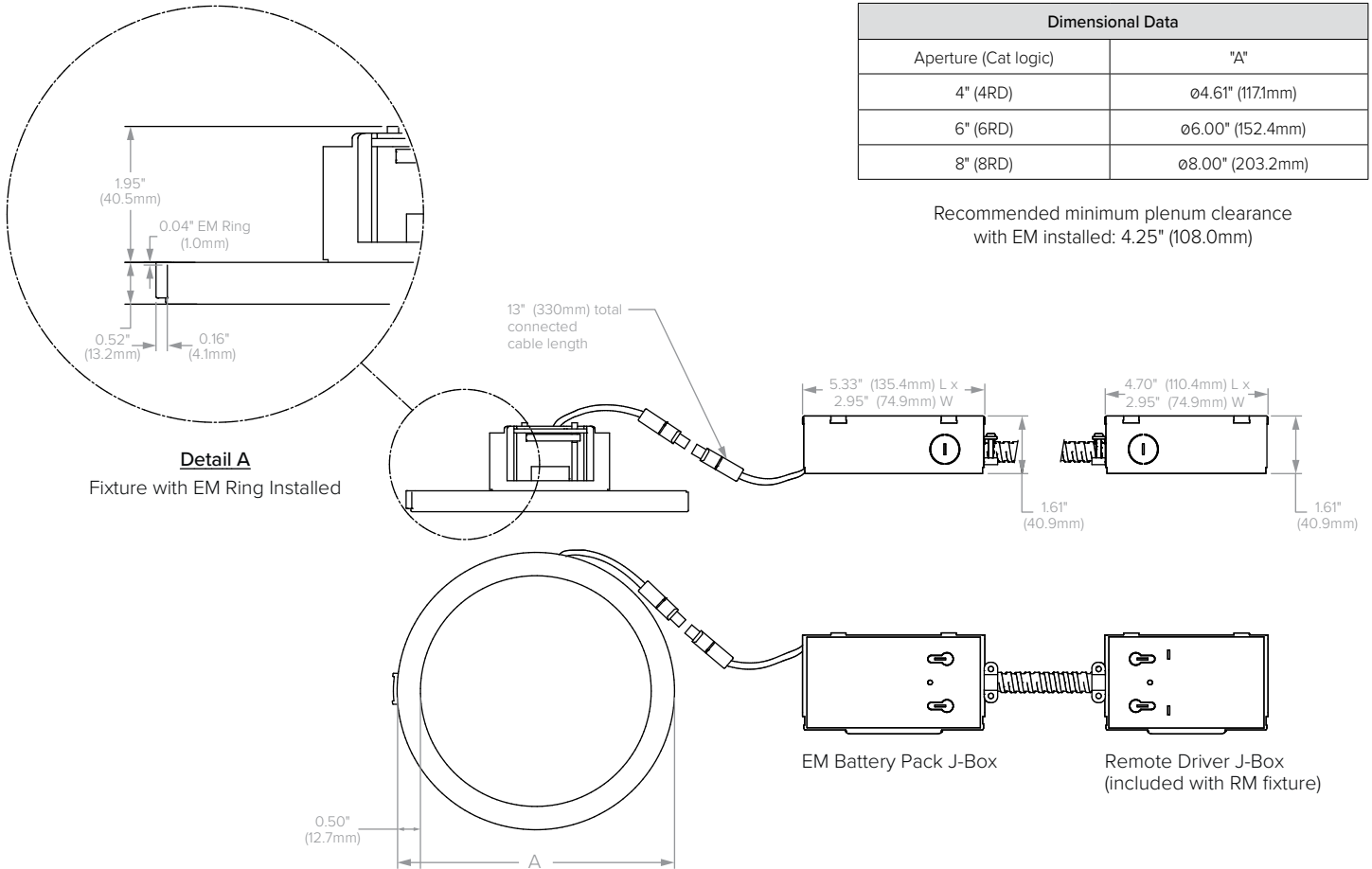
DIMENSIONS (CONTINUED)

WITH EM ACCESSORY (FIELD INSTALLED)

Includes Remote EM Battery Pack and EM Trim
Ring with integral test switch/indicator light

Dimensional Data	
Aperture (Cat logic)	"A"
4" (4RD)	ø4.61" (117.1mm)
6" (6RD)	ø6.00" (152.4mm)
8" (8RD)	ø8.00" (203.2mm)

Recommended minimum plenum clearance
with EM installed: 4.25" (108.0mm)



Detail View
EM Integral Test Switch
with Indicator Light

LBSSES-RD-RM

EDGE-LIT ROUND SWITCHABLE CCT DOWNLIGHT W/ REMOTE J-BOX

PERFORMANCE DATA TABLE

Nominal Aperture	Nominal Lumens	Cat #	CCT**	CRI	Delivered Lumens	Watts	LPW
4"	750	LBSSES-4RD-CS9-RM-WH	3000K	90	761	9.9	77
6"	1100	LBSSES-6RD-CS9-RM-WH	3000K	90	1178	13.1	90
8"	1750	LBSSES-8RD-CS9-RM-WH	3000K	90	1754	19.3	91

** For all other CCTs, use the Lumen Multiplier in Photometry Section

LBSSES-RD-RM

EDGE-LIT ROUND SWITCHABLE CCT DOWNLIGHT W/ REMOTE J-BOX

PHOTOMETRY

LBSSES-4RD-CS9-RM-WH

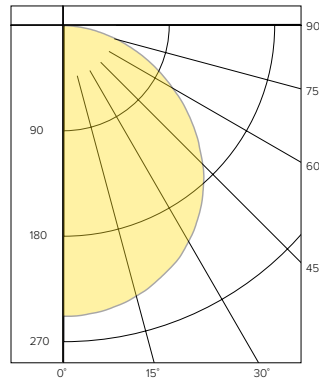
LUMINAIRE DATA

Test No.	R20.00839-01
Description	4" Downlight, Color Switchable, 90 CRI
Delivered Lumens	760
Watts	10.4W
Efficacy	77
Mounting	Surface
Spacing Criterion	1.3

ZONAL LUMEN SUMMARY

Zone	Lumens	% Luminaire
0-40	338	44.5
0-60	597	78.6
0-90	760	100
0-180	760	100

POLAR GRAPH



CANDELA DISTRIBUTION

Degree	Candela
0	263
5	262
15	253
25	237
35	212
45	178
55	137
65	92
75	52
85	14
90	0

LUMINANCE DATA*

Vertical Angle	Average
45°	46986
55°	44478
65°	41179
75°	37441
85°	29499

*Candela/Square Meter

LBSSES-6RD-CS9-RM-WH

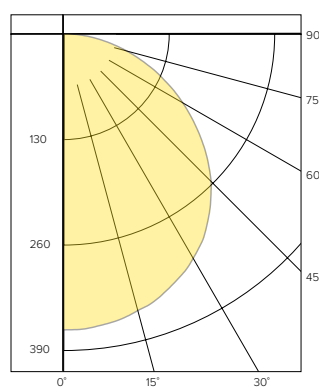
LUMINAIRE DATA

Test No.	R20.00836-01
Description	6" Downlight, Color Switchable @3000K, 90 CRI
Delivered Lumens	1177
Watts	13.1W
Efficacy	90
Mounting	Surface
Spacing Criterion	1.3

ZONAL LUMEN SUMMARY

Zone	Lumens	% Luminaire
0-40	513	43.5
0-60	915	77.7
0-90	1177	100
0-180	1177	100

POLAR GRAPH



CANDELA DISTRIBUTION

Degree	Candela
0	393
5	392
15	380
25	358
35	325
45	275
55	213
65	147
75	84
85	25
90	0

LUMINANCE DATA*

Vertical Angle	Average
45°	30710
55°	29282
65°	27498
75°	25563
85°	22384

*Candela/Square Meter

LBSSES-8RD-CS9-RM-WH

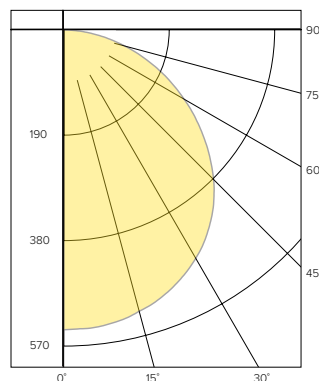
LUMINAIRE DATA

Test No.	R20.00838-01
Description	8" Downlight, Color Switchable, @3000K, 90 CRI
Delivered Lumens	1754
Watts	19.3
Efficacy	91
Mounting	Surface
Spacing Criterion	1.3

ZONAL LUMEN SUMMARY

Zone	Lumens	% Luminaire
0-40	765	43.6
0-60	1365	78.0
0-90	1754	100
0-180	1754	100

POLAR GRAPH



CANDELA DISTRIBUTION

Degree	Candela
0	583
5	582
15	566
25	535
35	484
45	411
55	318
65	220
75	123
85	37
90	0

LUMINANCE DATA*

Vertical Angle	Average
45°	23365
55°	22285
65°	20987
75°	19150
85°	16960

*Candela/Square Meter

LUMEN MULTIPLIER

Option	27K, 90 CRI	30K, 90 CRI	35K, 90 CRI	40K, 90 CRI
Multiplier	0.92	1.00	1.08	1.04

Photometrics above are published at nominal 3000K, 90 CRI. This table may be used to approximate the lumen values at different Kelvin temperature settings. Power consumption remains the same.



DATE: _____ | LOCATION: _____

TYPE: _____ | PROJECT: _____

CATALOG #: _____

LBSSES-RD-RM

EDGE-LIT ROUND SWITCHABLE CCT DOWNLIGHT W/ REMOTE J-BOX

ADDITIONAL INFORMATION

Dimming Compatibility

See the DIMMING link for more information on dimming compatibility and recommended dimmer list.

EM Accessory

For more information, refer to the LiteBox Edge-Lit EM Accessory Installation Manual.

9 ft. Maximum mounting height for all aperture sizes per UL 924.

Maximum EM Extension cable length: 24"