

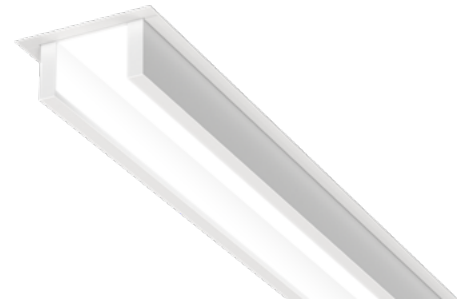
DATE:	LOCATION:
TYPE:	PROJECT:
CATALOG #:	

NELO+ 75L

OPEN APERTURE SEMI-RECESSED DIRECT

FEATURES

- Variable Intensity technology provides a range of specifiable outputs and resulting fixture wattages
- 1500 lumens max. See performance data table on page 4 for additional information
- 80 & 90 CRI (30, 35, 40K); Warm Dim (30-22K), Tunable White (27-65K & 27-50K)



RELATED PRODUCTS

- [Ø 75L-P-D](#)
[Ø 75L-S-D](#)
[Ø 70L-SR-D](#)

CONTROL TECHNOLOGY



SPECIFICATIONS

CONSTRUCTION

- 4" x 4" nominal profile with 2.8" aperture.
- Extruded aluminum housing with machined aluminum end headers
- Die-cast aluminum end caps mechanically attached with no exposed fasteners. Open (ECO) and solid (ECC) designs available.
- Patent pending ConJoin™ row mounting system

OPTICS

- 3 SDCM CCT consistency, 80 or 90 CRI. Tunable White and Dim to Warm options available.
- 98% High reflectance laminated reflector for soft, continuous illumination. UV stable, UL 94 V rated.
- Additional reflector seam cover blends appearance for unbroken illumination in row mount configurations.

ELECTRICAL

- Variable Intensity (VI) technology allows precise specification of fixture output/wattage. Fixture will be programmed and labeled to specification.
- LED boards and solid state constant current driver are field-serviceable from below through housing aperture.
- 1C (1 Circuit) Fixture wired for a single circuit
- Emergency Battery: 10W battery powered driver. Provides a minimum of 90 minutes of emergency lighting. Inverter-Compatible. Provided by others. Available in 4'+ fixtures, LH/RH options available for 8' fixtures.

INSTALLATION

- Fixture weight: 5 lbs/ft
- PT Mounting: Continuous spackle trim with beaded edge fastened to housing. Spackle trim allows plaster coat up to fixture edge for clean ceiling appearance.
- LG/NG/SS Mounting: Side rails provide continuous mounting, lateral spacing between T-bars and allows clearance for T-bar supporting wire. For Tegular grid mount, fixture will sit level with the T-bar.
- DW Mounting: Side rails allow installation into drywall slot. Visible flange is located on all 4 sides of fixture.

CONTROLS

- Sensors install at end of individual fixtures. For rows or additional information, contact factory.
- NX Distributed Intelligence™: Supports indoor and outdoor applications, wired, wireless and hybrid networked NX lighting control deployments and enabled emerging applications, such as Hubbell Lighting's SpectraSync™ Color Tuning Technology
- SpectraSync™ Color Tuning Technology: Control your space based on the needs of the application, specific activities throughout the day and preferences of the occupants

CERTIFICATIONS

- CSA listed for damp locations
- UL924
- IC Rated
- CCEA
- IBEW
- AF of L
- This product qualifies as a "designated country construction material" per FAR 52.225-11 Buy American-Construction. Materials under Trade Agreements effective 5/19/2022. See [Buy American Solutions](#). Contact factory for configurations including SpectraSync, NX, or sensors

WARRANTY

- LED boards - 5 years
- LED drivers (standard) - 5 years
- LED drivers (Lutron) - 3 years
- See HLI Standard Warranty for additional information

KEY DATA	
Lumen Range	300 - 1500
SDCM	3
Rated Life	L85 > 50,000 Hours
Efficacy	108-120 LPW

DATE:	LOCATION:
TYPE:	PROJECT:
CATALOG #:	

NELO+ 75L

OPEN APERTURE SEMI-RECESSED DIRECT

ORDERING GUIDE

Example: 75L-SR/LG-D-8-08-C1-35K-D100-D01-1C-UNV-ECO

CATALOG #

Series	Ceiling Type	Distribution	Row Length (In Feet)	Max Length in Row	Finish/Color ¹
75L Nelo+	SR/DW Semi-Recessed, Drywall	D Direct	___' Enter in foot increments	02 2', 609mm	C1 Matte White (Default)
	SR/PT Semi-Recessed, Flangeless			03 3', 914mm	C2 Textured Matte White
	SR/LG Semi-Recessed, 15/16" Grid			04 4', 1219mm	C3 Light Silver
	SR/NG Semi-Recessed, 9/16" Grid			05 5', 1524mm	C4 Machined Aluminum
	SR/SS Semi-Recessed, 9/16" Screw Slot or Tegular			06 6', 1829mm	C5 Carbon Black
				08 8', 2438mm	C6 Textured Camera Black
					CC Custom Color

CCT/CRI ²	Direct Output/ft	Driver	Circuiting	Voltage	End Cap
30K 3000K, 80CRI	D030 300 (Min) to	D01 1% Dimming, 0-10V	1C 1 Circuit	UNV 120-277V	ECO Open Style
30K9 3000K, 90CRI		D05 5% Dimming, 0-10V ³		347 347V ⁴	ECC Closed Style
35K 3500K, 80CRI	D150 1500 (Max)	LEC Hi-Lume 1% EcoSystem			
35K9 3500K, 90CRI		NDM Non-Dimming			
40K 4000K, 80CRI					
40K9 4000K, 90CRI					
2230TD 2200K-3000K SpectraSync™ Dim-to-Warm					
2750T 2700K-5000K SpectraSync™ Tunable White					
2765T 2700K-6500K SpectraSync™ Tunable White					

Nightlight ⁵	Emergency ⁶	Thru-Wiring	City of Chicago Environmental Ais
NL Nightlight Circuit Required. Enter quantity.	EF 10W Emergency Battery Backup. Enter quantity.	W1 No Thru-Wire W2 Provide Normal and NL/EF Thru-Wiring W3 Provide Normal Thru-Wiring Only	CCEA Chicago Environmental Air Modification

Notes:

- 1 Visit <https://www.hubbell.com/litecontrol/en/product-finishes> for details.
- 2 SpectraSync must be ordered with D05 driver option
- 3 Must be ordered with SpectraSync options
- 4 Additional lead time may be applicable. Contact factory.
- 5 2NL = 2 nightlight circuits/row.
- 6 2EF = 2 Emergency batteries/row. See Details for restrictions. Provides a minimum of 90 minutes of emergency lighting. Inverter-Compatible. Provided by others. Available in 4+ fixtures; 8' available LH/RH.

Control Options

Contact factory for Control Options.

NELO+ 75L

OPEN APERTURE SEMI-RECESSED DIRECT

CONTROLS

NX DISTRIBUTED INTELLIGENCE™ LIGHTING CONTROLS:

Supports both indoor and outdoor applications in a variety of deployment options- wired, wireless, hybrid. Integrates with and enables a wide array of luminaires including those with SpectraSync™ Color Tuning Technology.



SPECTRASYNCTM COLOR TUNING TECHNOLOGY:

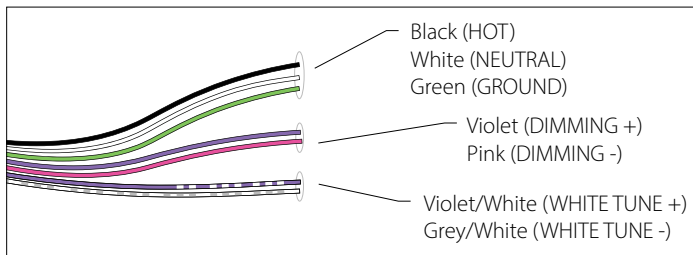
Control your space based on the needs of the application, specific activities throughout the day and preferences of the occupants with distinct SpectraSync™ Color Tuning Technologies.



SPECTRASYNCTM Color tuning technology		
Mode	Kelvin Range	Description
Dim to Warm	2200K–3000K	Mimics the familiar warning effect that occurs with traditional incandescent sources as they are dimmed
Tunable White	2700K–5000K 2700K–6500K	Offers users the ability to tailor CCT to their personal preference, enhancing task visibility, material and colors or the aesthetics of the space
Scheduled White	2700K-5000K 2700K-6500K	Mimics the rhythm of natural light or follows an alternative user-defined schedule throughout the day. enhancing an occupant's mood and well-being

SPECTRASYNCTM TUNABLE WHITE

Available in two options: 2750T (2700K–5000K) or 2765T (2700K–6500K). Requires two 0–10V controllers, one for intensity and one for CCT. Minimum 5% dimming.

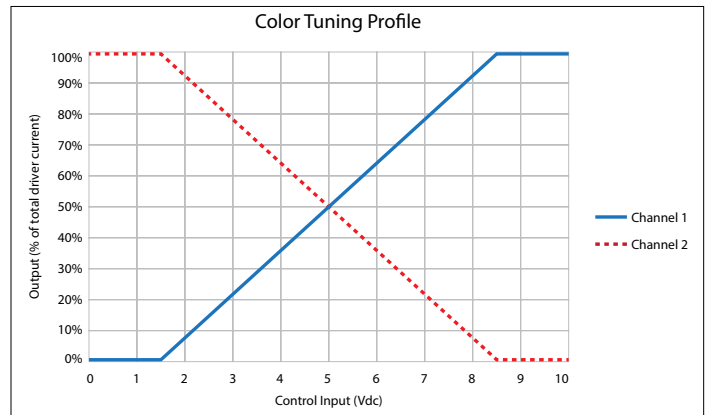


SpectraSync Tunable White luminaires are provided with two 0–10V circuits. The violet and pink circuit is for wiring to any qualified 0–10V controller for dimming. The violet/white and grey/white circuit is for wiring to any qualified 0–10V controller for Tunable White CCT control.

CONTROLLER MANUFACTURER DATA

SpectraSync Tunable White was designed to be used with sinking style dimmers (provided by others) and is compatible with:

- Hubbell Control Solutions (HCS): NX Distributed Intelligence™ Room Controllers (NXRC) and In-fixture Controllers (NXFM)
- Lutron: DVTV, DVSTV, and NFTV dimmers
- Wattstopper: ADF120277 and CD4BL (Titan) dimmers



To enable scheduling and for use with NX wall control preset stations please refer to Hubbell Control Solutions NX SpectraSync technical sheet.

DATE:	LOCATION:
TYPE:	PROJECT:
CATALOG #:	

NELO+ 75L

OPEN APERTURE SEMI-RECESSED DIRECT

PERFORMANCE DATA TABLE

The table below shows the delivered lumens for the various lumen outputs. Use this chart in connection with the output multiplier capability to deliver any output required.

Nomenclature	Lumens/Ft	W/Ft	Efficacy
D030 (min)	300	2.8	108
D035	350	3.2	110
D040	400	3.5	115
D045	450	3.9	116
D050	500	4.2	118
D055	550	4.7	117
D060	600	5.1	118
D065	650	5.5	118
D070	700	5.8	120
D075	750	6.3	118
D080	800	6.7	119
D085	850	7.2	117
D090	900	7.8	116
D095	950	8.3	115
D100	1000	8.7	115
D105	1050	9.1	116
D110	1100	9.6	115
D115	1150	10.1	114
D120	1200	10.5	114
D125	1250	11.0	114
D130	1300	11.5	113
D135	1350	12.0	112
D140	1400	12.5	112
D145	1450	13.0	112
D150 (max)	1500	13.6	111

OUTPUT RESTRICTIONS

Options listed below are not available for the output and length as shown.

LENGTH	300	350	400	450	500	550	600	650	700	750	800	850	900	950	1000	1050	1100	1150	1200	1250	1300	1350	1400	1450	1500	
75L (Direct)																										
2'	EF/NL																									
3'																										
4'																										
5'																										
6'																										
8'																										

OUTPUT MULTIPLIER TABLE

Photometry for the 75L is published at 3500K color temperature, 80 CRI. This table may be used to approximate lumen values at other color temperatures and color rendering. Power consumption would stay the same.

CCT	80 CRI	90 CRI
3000K	0.98	0.85
3500K	1	0.88
4000K	1.03	0.9

DATE: _____ LOCATION: _____

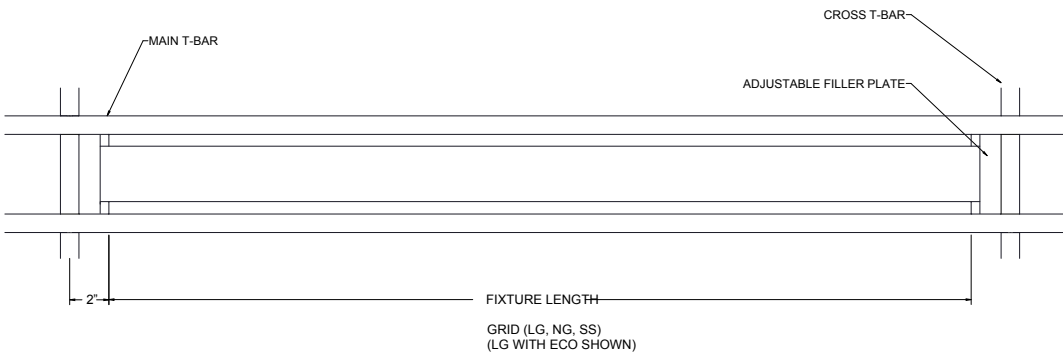
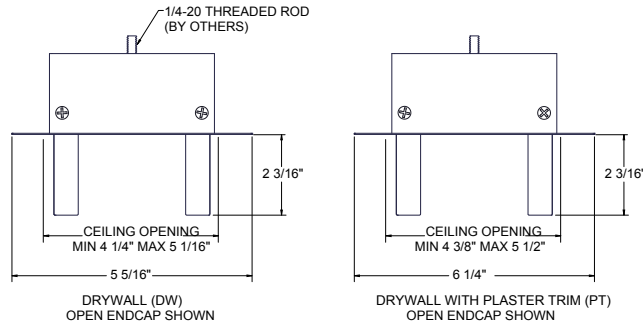
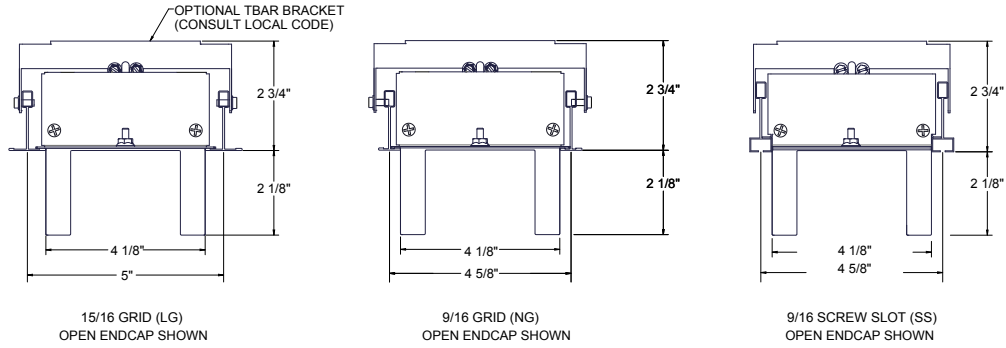
TYPE: _____ PROJECT: _____

CATALOG #: _____

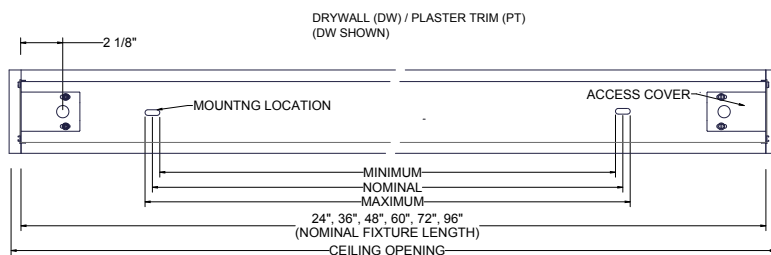
NELO+ 75L

OPEN APERTURE SEMI-RECESSED DIRECT

DIMENSIONS



FIXTURE LENGTHS	
INDIVIDUAL (IND) / END OF ROW RIGHT (EORR)	20", 32", 44", 56", 68", 92"
INTERMEDIATE (INT) / END OF ROW LEFT (EORL)	24", 36", 48", 60", 72", 96"



THREADED ROD DISTANCE	
MINIMUM	FIXTURE LENGTH MINUS 12 1/2"
NOMINAL	FIXTURE LENGTH MINUS 12"
MAXIMUM	FIXTURE LENGTH MINUS 11 1/2"

CEILING CUTOUT LENGTH	
INDIVIDUAL	NOMINAL FIXTURE LENGTH PLUS 1 1/4"
ROW	TOTAL NOMINAL ROW LENGTH PLUS 1 1/4"

DATE: _____ LOCATION: _____

TYPE: _____ PROJECT: _____

CATALOG #: _____

NELO+ 75L

OPEN APERTURE SEMI-RECESSED DIRECT

PHOTOMETRY

75L-X-D-4-CX-35K-D150-ECC

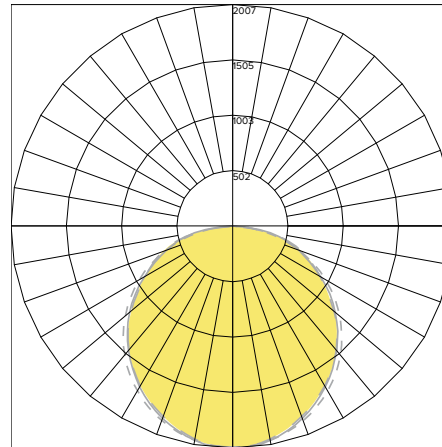
LUMINAIRE DATA

Test No.	Scaled From P21.01221
Description	75L Nelo Closed End Cap Direct
Delivered Lumens	6000
Watts	54
Efficacy	111

ZONAL LUMEN SUMMARY

Zone	Lumens	% Luminaire
0-40	2540.89	42.3
0-60	4551.27	75.9
0-90	6000	100
0-180	6000	100

POLAR GRAPH



LEGEND:
0-deg: - - - - -
45-deg: - - - - -
90-deg: - - - - -

ADDITIONAL INFORMATION

DIMMING OPTIONS

D01	100%- 1% dimming range. Fixture will be wired for low voltage 0-10V dimming control.
D05	100%-5% dimming range, Fixture will be wired for low voltage 0-10V dimming control. Only applicable if either 2230TD, 2750T or 2765T is selected.
LEC	Hi-Lume 1% EcoSystem LED Driver with Soft-On, Fade-to-Black dimming technology.
NDM	Non-dimming. Fixture will be wired for fixed light output.

Rated Life

Tested in accordance to LM79-2008 & derived from EPA TM-21 calculator

L70: >54,000 (calculated per TM-21 extrapolated curve)

L70: 110000 (reported per TM-21/LM80 6x's limitation)

L85: >50000 (calculated per TM-21 extrapolated curve)

L85: 50500 (reported per TM-21/LM80 6x's limitation)

Rated Life (Driver)

Standard = 100,000 hours

Lutron = 50,000 hours