

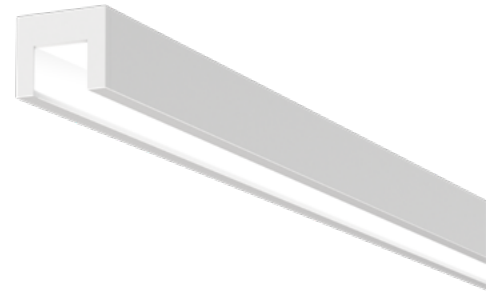
DATE:	LOCATION:
TYPE:	PROJECT:
CATALOG #:	

# NELO 70L

OPEN APERTURE SURFACE DIRECT

## FEATURES

- Variable Intensity technology provides a range of specifiable outputs and resulting fixture wattages
- 1200 lumens max. See performance data table on page 4 for additional information
- 80 & 90 CRI (30, 35, 40K); Warm Dim (30-22K), Tunable White (27-65K & 27-50K)



## RELATED PRODUCTS

- Ø [70L-P-D](#)    Ø [70L-W-D](#)    Ø [75L-S-D](#)

## CONTROL TECHNOLOGY



## SPECIFICATIONS

### CONSTRUCTION

- 2.5" x 3" nominal profile with 1.8" aperture.
- Extruded aluminum housing with machined aluminum end headers
- Die-cast aluminum end caps mechanically attached with no exposed fasteners. Open (ECO) and solid (ECC) designs available.
- Patent pending ConJoin™ row mounting system
- Remote driver enclosure constructed from die-formed steel.

### OPTICS

- 3 SDCM CCT consistency, 80 or 90 CRI. Tunable White and Dim to Warm options available.
- 98% High reflectance laminated reflector for soft, continuous illumination. UV stable, UL 94 V rated.
- Additional reflector seam cover blends appearance for unbroken illumination in row mount configurations.

### ELECTRICAL

- Variable Intensity (VI) technology allows precise specification of fixture output/wattage. Fixture will be programmed and labeled to specification.
- LED boards and solid state constant current driver are field-serviceable from below through housing aperture.
- 1C (1 Circuit) Fixture wired for a single circuit

### ELECTRICAL (CONTINUED)

- Emergency Battery: 6W battery powered driver. Provides a minimum of 90 minutes of emergency lighting. Inverter-Compatible. Provided by others. Available in 4'+ fixtures

### INSTALLATION

- Fixture weight: 2 lbs/ft.
- Remote enclosure not rated for contact with insulation. Insulation must be no closer than 3" from remote driver enclosure

### CONTROLS

- Sensors install at end of individual fixtures. For rows or additional information, contact factory.
- NX Distributed Intelligence™: Supports indoor and outdoor applications, wired, wireless and hybrid networked NX lighting control deployments and enabled emerging applications, such as Hubbell Lighting's SpectraSync™ Color Tuning Technology
- SpectraSync™ Color Tuning Technology: Control your space based on the needs of the application, specific activities throughout the day and preferences of the occupants

### CERTIFICATIONS

- CSA listed for damp locations
- UL924
- IBEW
- AF of L
- This product qualifies as a "designated country construction material" per FAR 52.225-11 Buy American-Construction. Materials under Trade Agreements effective 5/19/2022. See [Buy American Solutions](#). Contact factory for configurations including SpectraSync, NX, or sensors

### WARRANTY

- LED boards - 5 years
- LED drivers (standard) - 5 years
- LED drivers (Lutron) - 3 years
- See HLI Standard Warranty for additional information

KEY DATA	
Lumen Range	300-1200
SDCM	3
Rated Life	L85 > 50,000 Hours
Efficacy	108-120 LPW

DATE:	LOCATION:
TYPE:	PROJECT:
CATALOG #:	

# NELO 70L

OPEN APERTURE SURFACE DIRECT

## ORDERING GUIDE

Example: 70L-S-D-8-08-C1-35K-D030-D01-1C-UNV-ECO-ED

CATALOG #

Series	Mounting	Distribution	Row Length (In Feet)	Max Length in Row	Finish/Color <sup>1</sup>
70L Nelo	S Surface	D Direct	____' Enter in foot increments	<b>02</b> 2', 609mm <b>03</b> 3', 914mm <b>04</b> 4', 1219mm <b>05</b> 5', 1524mm <b>06</b> 6', 1829mm <b>08</b> 8', 2438mm	<b>C1</b> Matte White (Default) <b>C2</b> Textured Matte White <b>C3</b> Light Silver <b>C4</b> Machined Aluminum <b>C5</b> Carbon Black <b>C6</b> Textured Camera Black <b>CC</b> Custom Color

CCT/CRI <sup>2</sup>	Direct Output/ft	Driver	Circuiting	Voltage	End Cap
<b>30K</b> 3000K, 80 CRI	<b>D030</b> 300 (Min) to	<b>D01</b> 1% Dimming, 0-10V	<b>1C</b> 1 Circuit <b>2C</b> 2Circuit - Uplight / Downlight	<b>UNV</b> 120-277V <b>347</b> 347V <sup>4</sup>	<b>ECO</b> Open Style <b>ECC</b> Closed Style
<b>30K9</b> 3000K, 90 CRI					
<b>35K</b> 3500K, 80 CRI	<b>D120</b> 1200 (Max)	<b>D05</b> 5% Dimming, 0-10V <sup>3</sup>			
<b>35K9</b> 3500K, 90 CRI					
<b>40K</b> 4000K, 80 CRI		<b>LEC</b> Hi-Lume 1% EcoSystem			
<b>40K9</b> 4000K, 90 CRI			<b>NDM</b> Non-Dimming		
<b>2230TD</b> 2200K-3000K SpectraSync™ Dim-to-Warm					
<b>2750T</b> 2700K-5000K SpectraSync™ Tunable White					
<b>2765T</b> 2700K-6500K SpectraSync™ Tunable White					

Enclosure Mounting	Nightlight <sup>5</sup>	Emergency <sup>6</sup>	Thru-Wiring	T-Bar Clips <sup>7</sup>
<b>ED</b> Drywall & Other <b>EG</b> Grid	<b>NL</b> Nightlight Circuit Required. Enter quantity.	<b>EF</b> 6W Emergency Battery Backup. Enter quantity.	<b>W1</b> No Thru-Wire. <b>W2</b> Provide Normal and NL/EF Thru-Wiring <b>W3</b> Provide Normal Thru-Wiring Only	<b>CB1</b> T-bar clip - 15/16" <b>CB2</b> T-bar clip - 9/16" <b>CB3</b> T-bar clip - 9/16" SS

**Control Options**  
Contact factory for Control Options.

**Notes:**  
<sup>1</sup> Visit <https://www.hubbell.com/litecontrol/en/product-finishes> for details.  
<sup>2</sup> SpectraSync must be ordered with D05 driver option  
<sup>3</sup> Must be ordered with SpectraSync options  
<sup>4</sup> Additional lead time may be applicable. Contact factory.  
<sup>5</sup> 2NL = 2 nightlight circuits/row.  
<sup>6</sup> 2EF = 2 Emergency batteries/row. See Details for restrictions. Provides a minimum of 90 minutes of emergency lighting. Inverter-Compatible. Provided by others. Available in 4+ fixtures  
<sup>7</sup> Includes Luminaire Canopy Box.

DATE: \_\_\_\_\_ LOCATION: \_\_\_\_\_

TYPE: \_\_\_\_\_ PROJECT: \_\_\_\_\_

CATALOG #: \_\_\_\_\_

# NELO 70L

OPEN APERTURE SURFACE DIRECT

## CONTROLS

### NX DISTRIBUTED INTELLIGENCE™ LIGHTING CONTROLS:

Supports both indoor and outdoor applications in a variety of deployment options- wired, wireless, hybrid. Integrates with and enables a wide array of luminaires including those with SpectraSync™ Color Tuning Technology.



### SPECTRASYNCTM COLOR TUNING TECHNOLOGY:

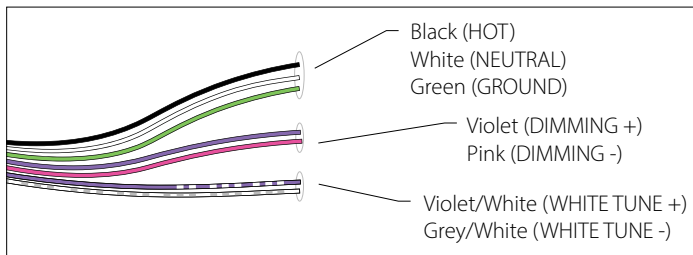
Control your space based on the needs of the application, specific activities throughout the day and preferences of the occupants with distinct SpectraSync™ Color Tuning Technologies.



SPECTRASYNCTM Color tuning technology		
Mode	Kelvin Range	Description
Dim to Warm	2200K–3000K	Mimics the familiar warning effect that occurs with traditional incandescent sources as they are dimmed
Tunable White	2700K–5000K 2700K–6500K	Offers users the ability to tailor CCT to their personal preference, enhancing task visibility, material and colors or the aesthetics of the space
Scheduled White	2700K-5000K 2700K-6500K	Mimics the rhythm of natural light or follows an alternative user-defined schedule throughout the day. enhancing an occupant's mood and well-being

### SPECTRASYNCTM TUNABLE WHITE

Available in two options: 2750T (2700K–5000K) or 2765T (2700K–6500K). Requires two 0–10V controllers, one for intensity and one for CCT. Minimum 5% dimming.

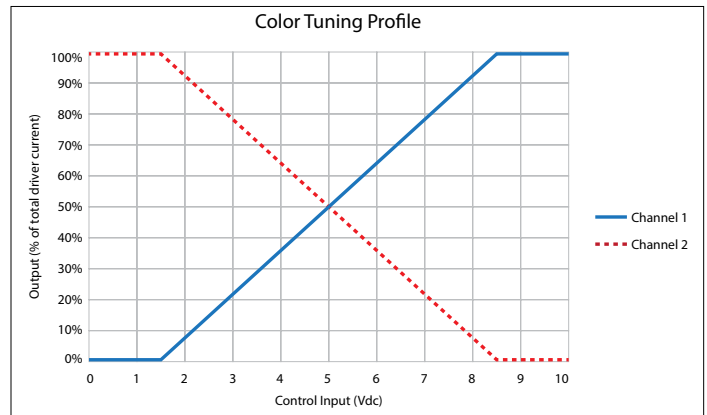


SpectraSync Tunable White luminaires are provided with two 0–10V circuits. The violet and pink circuit is for wiring to any qualified 0–10V controller for dimming. The violet/white and grey/white circuit is for wiring to any qualified 0–10V controller for Tunable White CCT control.

### CONTROLLER MANUFACTURER DATA

SpectraSync Tunable White was designed to be used with sinking style dimmers (provided by others) and is compatible with:

- Hubbell Control Solutions (HCS): NX Distributed Intelligence™ Room Controllers (NXRC) and In-fixture Controllers (NXFM)
- Lutron: DDTV, DVSTV, and NFTV dimmers
- Wattstopper: ADF120277 and CD4BL (Titan) dimmers



To enable scheduling and for use with NX wall control preset stations please refer to Hubbell Control Solutions NX SpectraSync technical sheet.

DATE:	LOCATION:
TYPE:	PROJECT:
CATALOG #:	

# NELO 70L

OPEN APERTURE SURFACE DIRECT

## PERFORMANCE DATA TABLE

The table below shows the delivered lumens for the various lumen outputs. Use this chart in connection with the output multiplier capability to deliver any output required.

Nomenclature	Lumens/Ft	W/Ft	Efficacy
D030 (min)	300	2.8	108
D035	350	3.2	110
D040	400	3.5	115
D045	450	3.9	116
D050	500	4.2	118
D055	550	4.7	117
D060	600	5.1	118
D065	650	5.5	118
D070	700	5.8	120
D075	750	6.3	118
D080	800	6.7	119
D085	850	7.2	117
D090	900	7.8	116
D095	950	8.3	115
D100	1000	8.7	115
D105	1050	9.1	116
D110	1100	9.6	115
D115	1150	10.1	114
D120 (max)	1200	10.5	114

## OUTPUT RESTRICTIONS

Driver options listed below are not available for the output and length as shown.

LENGTH	300	350	400	450	500	550	600	650	700	750	800	850	900	950	1000	1050	1100	1150	1200	
<b>70L (Direct)</b>																				
All	347V D01, D05																			D05 + NX, 347 D01
	347 + NX																			

## OUTPUT MULTIPLIER TABLE

Photometrics for the 70L are published here at a nominal 3500K temperature. This table may be used to approximate the lumen values at different Kelvin temperatures. Power consumption would stay the same.

CCT	80 CRI	90 CRI
3000K	0.98	0.85
3500K	1	0.88
4000K	1.03	0.9

DATE: \_\_\_\_\_ LOCATION: \_\_\_\_\_

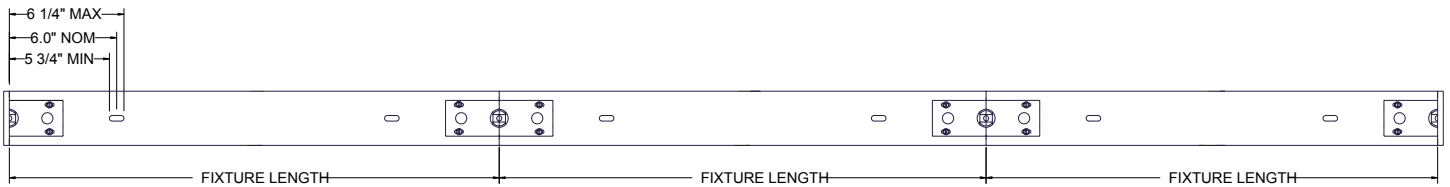
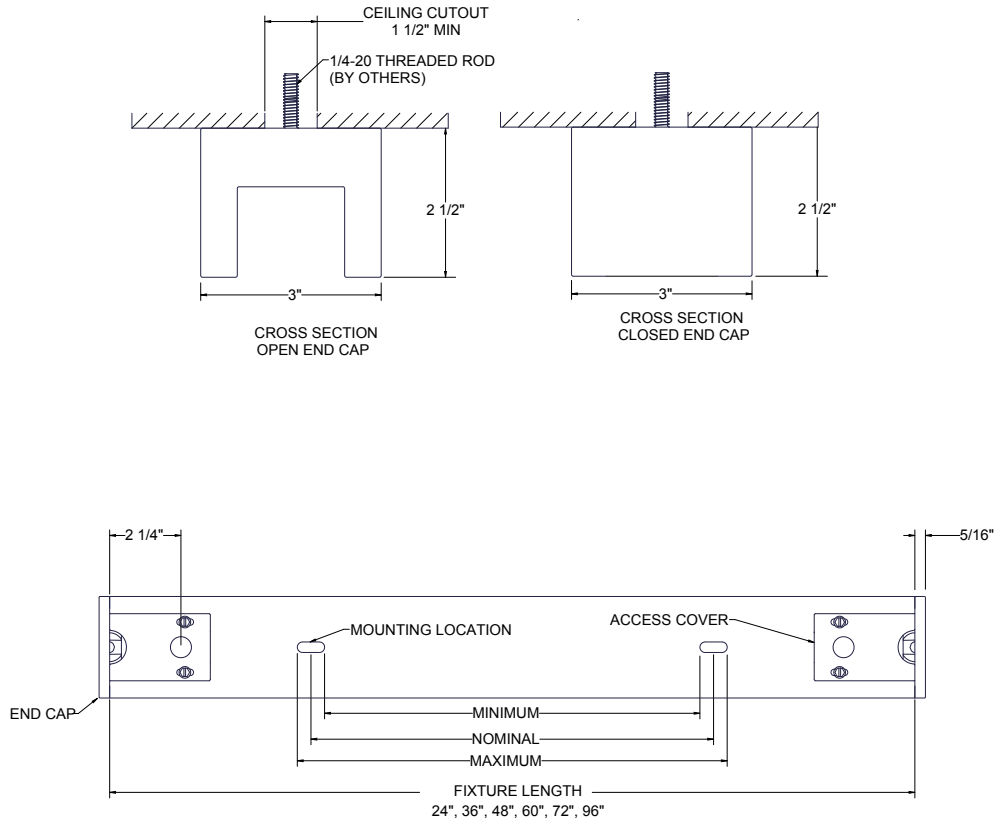
TYPE: \_\_\_\_\_ PROJECT: \_\_\_\_\_

CATALOG #: \_\_\_\_\_

# NELO 70L

OPEN APERTURE SURFACE DIRECT

## DIMENSIONS



THREADED ROD DISTANCE	
MINIMUM	FIXTURE LENGTH MINUS 12 1/2"
NOMINAL	FIXTURE LENGTH MINUS 12"
MAXIMUM	FIXTURE LENGTH MINUS 11 1/2"

DATE: \_\_\_\_\_ LOCATION: \_\_\_\_\_

TYPE: \_\_\_\_\_ PROJECT: \_\_\_\_\_

CATALOG #: \_\_\_\_\_

# NELO 70L

OPEN APERTURE SURFACE DIRECT

## DIMENSIONS (CONTINUED)

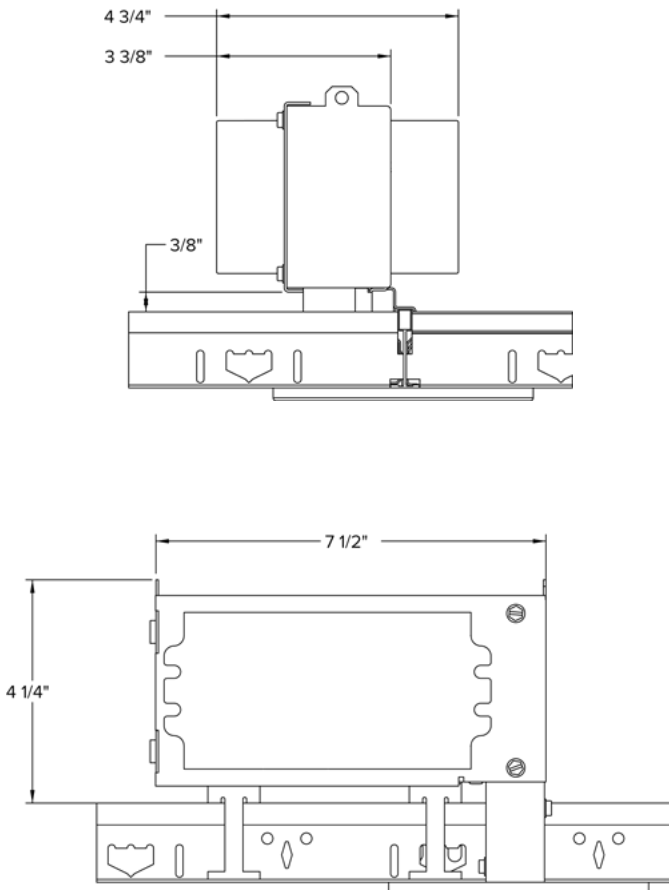
### REMOTE ENCLOSURE

Drivers for this product must be remote-mounted in an accessible location. Remote driver enclosure not intended for contact with insulation (IC). Insulation must be minimum 3" from drivers and enclosure, in all directions. Driver enclosure is die formed galvanized steel rated for 25°C ambient. Driver enclosures are configured to Grid Mount (EG) or Drywall & Other (ED). When grid ceiling mount, enclosure attaches to the T-Bar with factory installed caddy clips. For drywall (or other) mount applications, driver enclosure configured with mounting holes to secure to blocking (by others).

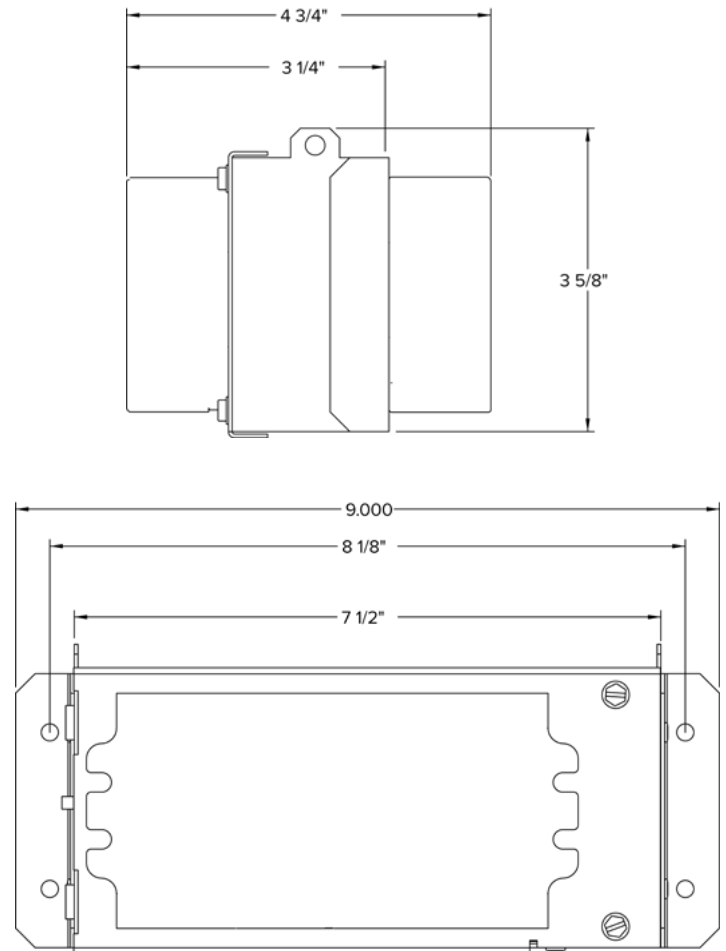
Every fixture section will come with at minimum (1) driver enclosure, and at minimum (1) factory installed Class 2 feed cord. Plenum rated cable (by others) required between enclosure and feed cord. See tables below.

See installation instructions for additional information.

**Grid (EG)**



**Drywall + Other (ED)**



**Max Mounting Distance\***

Wire Gauge	Distance (Ft.)
18	33
16	53
14	84
12	134

**Enclosure Size & Count**

2	Indirect/Direct with Emergency (EF)
1	All other configurations

\*Mounting distance shown is total between luminaire and remote enclosure.

DATE: \_\_\_\_\_ LOCATION: \_\_\_\_\_

TYPE: \_\_\_\_\_ PROJECT: \_\_\_\_\_

CATALOG #: \_\_\_\_\_

# NELO 70L

OPEN APERTURE SURFACE DIRECT

## PHOTOMETRY

### 70L-X-D-4-CX-35K-D120-ECC

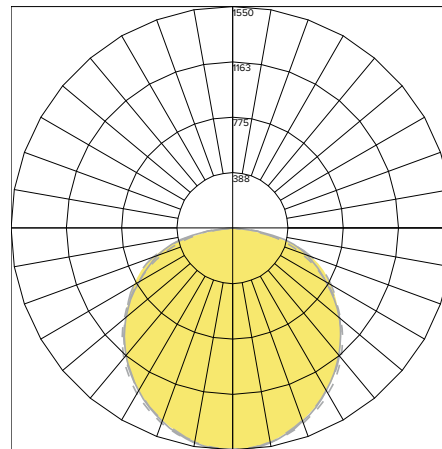
#### LUMINAIRE DATA

Test No.	Scaled from P21.01220
Description	70L Nelo Closed End Cap Direct
Delivered Lumens	4800
Watts	42W
Efficacy	114

#### ZONAL LUMEN SUMMARY

Zone	Lumens	% Luminaire
0-40	1981.83	41.3
0-60	3591.8	74.8
0-90	4800	100
0-180	4800	100

#### POLAR GRAPH



LEGEND:  
 0-deg: - - - - -  
 45-deg: — — — — —  
 90-deg: — — — — —

## ADDITIONAL INFORMATION

#### DIMMING OPTIONS

<b>D01</b>	100%- 1% dimming range. Fixture will be wired for low voltage 0-10V dimming control.
<b>D05</b>	100%-5% dimming range, Fixture will be wired for low voltage 0-10V dimming control. Only applicable if either 2230TD, 2750T or 2765T is selected.
<b>LEC</b>	Hi-Lume 1% EcoSystem LED Driver with Soft-On, Fade-to-Black dimming technology.
<b>NDM</b>	Non-dimming. Fixture will be wired for fixed light output.

#### Rated Life

Tested in accordance to LM79-2008 & derived from EPA TM-21 calculator

L70: >54,000 (calculated per TM-21 extrapolated curve)

L70: 110000 (reported per TM-21/LM80 6x's limitation)

L85: >50000 (calculated per TM-21 extrapolated curve)

L85: 50500 (reported per TM-21/LM80 6x's limitation)

#### Rated Life (Driver)

Standard = 100,000 hours

Lutron = 50,000 hours