

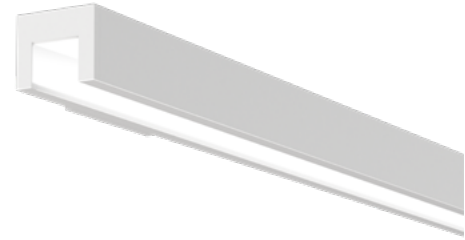
DATE:	LOCATION:
TYPE:	PROJECT:
CATALOG #:	

NELO 70L

OPEN APERTURE WALL INDIRECT/DIRECT

FEATURES

- Variable Intensity technology provides a range of specifiable outputs and resulting fixture wattages
- 1200 lumens max. See performance data table on page 4 for additional information
- 80 & 90 CRI (30, 35, 40K); Warm Dim (30-22K), Tunable White (27-65K & 27-50K)



RELATED PRODUCTS

- Ø [70L-P-D](#) Ø [70L-W-ID](#) Ø [75L-P-ID](#)

CONTROL TECHNOLOGY



SPECIFICATIONS

CONSTRUCTION

- 2.5" x 3" nominal profile with 1.8" aperture.
- Extruded aluminum housing with machined aluminum end headers
- Die-cast aluminum end caps mechanically attached with no exposed fasteners. Open (ECO) and solid (ECC) designs available.
- Patent pending ConJoin™ row mounting system
- Remote driver enclosure constructed from die-formed steel.

OPTICS

- 3 SDCM CCT consistency, 80 or 90 CRI. Tunable White and Dim to Warm options available.
- 98% High reflectance laminated reflector for soft, continuous illumination. UV stable, UL 94 V rated.
- Additional reflector seam cover blends appearance for unbroken illumination in row mount configurations.
- Lambertian (STD) or extruded acrylic indirect low peak angle (LPA) uplight options available.

ELECTRICAL

- Variable Intensity (VI) technology allows precise specification of fixture output/wattage. Fixture will be programmed and labeled to specification.
- LED boards and solid state constant current driver are field-serviceable from below through housing aperture.

ELECTRICAL (CONTINUED)

- 1C (1 Circuit) Fixture wired for a single circuit
- 2C (2 Circuit uplight/downlight) Uplight and downlight switched/dimmed separately. Two power feeds required
- Emergency Battery: 6W battery powered driver. Provides a minimum of 90 minutes of emergency lighting. Inverter-Compatible. Provided by others. Available in 4'+ fixtures

INSTALLATION

- Fixture weight: 3 lbs/ft.
- Remote enclosure not rated for contact with insulation. Insulation must be no closer than 3" from remote driver enclosure

CONTROLS

- Sensors install at end of individual fixtures. For rows or additional information, contact factory.
- NX Distributed Intelligence™: Supports indoor and outdoor applications, wired, wireless and hybrid networked NX lighting control deployments and enabled emerging applications, such as Hubbell Lighting's SpectraSync™ Color Tuning Technology
- SpectraSync™ Color Tuning Technology: Control your space based on the needs of the application, specific activities throughout the day and preferences of the occupants

CERTIFICATIONS

- CSA listed for damp locations
- UL924
- IBEW
- AF of L
- This product qualifies as a "designated country construction material" per FAR 52.225-11 Buy American-Construction. Materials under Trade Agreements effective 5/19/2022. See [Buy American Solutions](#). Contact factory for configurations including SpectraSync, NX, or sensors
- American with Disabilities Act (ADA) compliant

WARRANTY

- LED boards - 5 years
- LED drivers (standard) - 5 years
- LED drivers (Lutron) - 3 years
- See HLI Standard Warranty for additional information

KEY DATA	
Lumen Range	300-1200
SDCM	3
Rated Life	L85 > 50,000 Hours
Efficacy	110-136 LPW

DATE:	LOCATION:
TYPE:	PROJECT:
CATALOG #:	

NELO 70L

OPEN APERTURE WALL INDIRECT/DIRECT

ORDERING GUIDE

Example: 70L-W-ID-STD-8-08-C1-35K-I030-D030-D01-1C-UNV-ECO-ED

CATALOG #

Series	Mounting	Distribution	Uplight Distribution	Row Length (In Feet)	Max Length in Row	Finish/Color ¹
70L Nelo	W Wall	ID Indirect/ Direct	STD Standard LPA Low Peak Angle	—' Enter in foot increments	02 2', 609mm 03 3', 914mm 04 4', 1219mm 05 5', 1524mm 06 6', 1829mm 08 8', 2438mm	C1 Matte White (Default) C2 Textured Matte White C3 Light Silver C4 Machined Aluminum C5 Carbon Black C6 Textured Camera Black CC Custom Color

CCT/CRI ²	Indirect Output/ft	Direct Output/ft	Driver	Circuiting	Voltage
30K 3000K, 80 CRI	I030 300 (Min) to	D030 300 (Min) to	D01 1% Dimming, 0-10V	1C 1 Circuit 2C 2Circuit - Uplight / Downlight	UNV 120-277V 347 347V ³
30K9 3000K, 90 CRI					
35K 3500K, 80 CRI	I100 1000 (Max)	D120 1200 (Max)	D05 5% Dimming, 0-10V		
35K9 3500K, 90 CRI					
40K 4000K, 80 CRI			LEC Hi-Lume 1% EcoSystem		
40K9 4000K, 90 CRI				NDM Non-Dimming	
2230TD 2200K-3000K SpectraSync™ Dim-to-Warm					
2750T 2700K-5000K SpectraSync™ Tunable White					
2765T 2700K-6500K SpectraSync™ Tunable White					

End Cap	Enclosure Mounting	Nightlight ⁴	Emergency ⁵	Thru-Wiring	Dust Cover
ECO Open Style	ED Drywall & Other EG Grid	NL Nightlight Circuit Required. Enter quantity.	EF 6W Emergency Battery Backup. Enter quantity.	W1 No Thru-Wire. W2 Provide Normal and NL/EF Thru-Wiring W3 Provide Normal Thru-Wiring Only	L1 Clear Acrylic Dust Cover Lens
ECC Closed Style					

Notes:
¹ Visit <https://www.hubbell.com/litecontrol/en/product-finishes> for details.
² SpectraSync must be ordered with D05 driver option
³ Additional lead time may be applicable. Contact factory.
⁴ 2NL = 2 nightlight circuits/row.
⁵ 2EF = 2 Emergency batteries/row. See Details for restrictions.
 Provides a minimum of 90 minutes of emergency lighting. Inverter-
 Compatible. Provided by others. Available in 4+ fixtures

Control Options
 Contact factory for Control Options.

DATE: _____ LOCATION: _____

TYPE: _____ PROJECT: _____

CATALOG #: _____

NELO 70L

OPEN APERTURE WALL INDIRECT/DIRECT

CONTROLS

NX DISTRIBUTED INTELLIGENCE™ LIGHTING CONTROLS:

Supports both indoor and outdoor applications in a variety of deployment options- wired, wireless, hybrid. Integrates with and enables a wide array of luminaires including those with SpectraSync™ Color Tuning Technology.



SPECTRASYNCTM COLOR TUNING TECHNOLOGY:

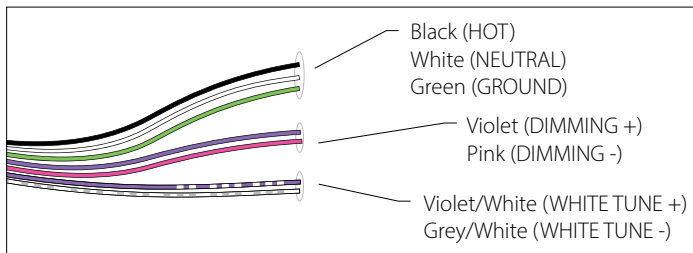
Control your space based on the needs of the application, specific activities throughout the day and preferences of the occupants with distinct SpectraSync™ Color Tuning Technologies.



SPECTRASYNCTM Color tuning technology		
Mode	Kelvin Range	Description
Dim to Warm	2200K–3000K	Mimics the familiar warning effect that occurs with traditional incandescent sources as they are dimmed
Tunable White	2700K–5000K 2700K–6500K	Offers users the ability to tailor CCT to their personal preference, enhancing task visibility, material and colors or the aesthetics of the space
Scheduled White	2700K-5000K 2700K-6500K	Mimics the rhythm of natural light or follows an alternative user-defined schedule throughout the day. enhancing an occupant's mood and well-being

SPECTRASYNCTM TUNABLE WHITE

Available in two options: 2750T (2700K–5000K) or 2765T (2700K–6500K). Requires two 0–10V controllers, one for intensity and one for CCT. Minimum 5% dimming.

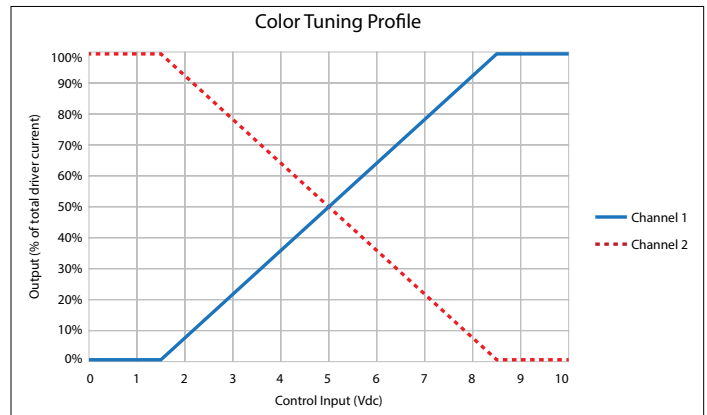


SpectraSync Tunable White luminaires are provided with two 0–10V circuits. The violet and pink circuit is for wiring to any qualified 0–10V controller for dimming. The violet/white and grey/white circuit is for wiring to any qualified 0–10V controller for Tunable White CCT control.

CONTROLLER MANUFACTURER DATA

SpectraSync Tunable White was designed to be used with sinking style dimmers (provided by others) and is compatible with:

- Hubbell Control Solutions (HCS): NX Distributed Intelligence™ Room Controllers (NXRC) and In-fixture Controllers (NXFM)
- Lutron: DVTV, DVSTV, and NFTV dimmers
- Wattstopper: ADF120277 and CD4BL (Titan) dimmers



To enable scheduling and for use with NX wall control preset stations please refer to Hubbell Control Solutions NX SpectraSync technical sheet.

DATE: _____ LOCATION: _____

TYPE: _____ PROJECT: _____

CATALOG #: _____

NELO 70L

OPEN APERTURE WALL INDIRECT/DIRECT

PERFORMANCE DATA TABLE

The table below shows the delivered lumens for the various lumen outputs. Use this chart in connection with the output multiplier capability to deliver any output required.

Nomenclature	Lumens/Ft	W/Ft	Efficacy
Uplight (STD Distribution)			
I030 (min)	300	2.4	123
I035	350	2.7	131
I040	400	3.0	134
I045	450	3.2	141
I050	500	3.5	143
I055	550	3.8	146
I060	600	4.1	148
I065	650	4.4	147
I070	700	4.8	146
I075	750	5.1	146
I080	800	5.4	148
I085	850	5.8	148
I090	900	6.2	146
I095	950	6.6	145
I100 (max)	1000	6.8	146
Uplight (LPA Distribution)			
I030 (min)	300	2.7	112
I035	350	3.0	117
I040	400	3.4	118
I045	450	3.7	122
I050	500	4.0	126
I055	550	4.4	124
I060	600	4.8	125
I065	650	5.1	127
I070	700	5.6	126
I075	750	5.9	126
I080	800	6.4	124
I085	850	6.8	124
I090	900	7.2	124
I095	950	7.8	122
I100 (max)	1000	8.4	119
Downlight			
D030 (min)	300	2.8	108
D035	350	3.2	110
D040	400	3.5	115
D045	450	3.9	116
D050	500	4.2	118
D055	550	4.7	117
D060	600	5.1	118
D065	650	5.5	118
D070	700	5.8	120
D075	750	6.3	118
D080	800	6.7	119
D085	850	7.2	117
D090	900	7.8	116
D095	950	8.3	115
D100	1000	8.7	115
D105	1050	9.1	116
D110	1100	9.6	115
D115	1150	10.1	114
D120 (max)	1200	10.5	114

DATE: _____ LOCATION: _____

TYPE: _____ PROJECT: _____

CATALOG #: _____

NELO 70L

OPEN APERTURE WALL INDIRECT/DIRECT

OUTPUT RESTRICTIONS

Driver options listed below are not available for the output and length as shown.

LENGTH	300	350	400	450	500	550	600	650	700	750	800	850	900	950	1000	1050	1100	1150	1200		
70L (Direct)																					
All	347V D01, D05																			D05 + NX, 347 D01	
	347 + NX																				347 + NX
70L (STD)																					
	347V D01, D05																				D05 + NX
	347 + NX																				347 + NX
70L (LPA)																					
	347V D01, D05																				D05 + NX
	347 + NX																				347 + NX

OUTPUT MULTIPLIER TABLE

Photometrics for the 70L are published here at a nominal 3500K temperature. This table may be used to approximate the lumen values at different Kelvin temperatures. Power consumption would stay the same.

CCT	80 CRI	90 CRI
3000K	0.98	0.85
3500K	1	0.88
4000K	1.03	0.9

DATE: _____ LOCATION: _____

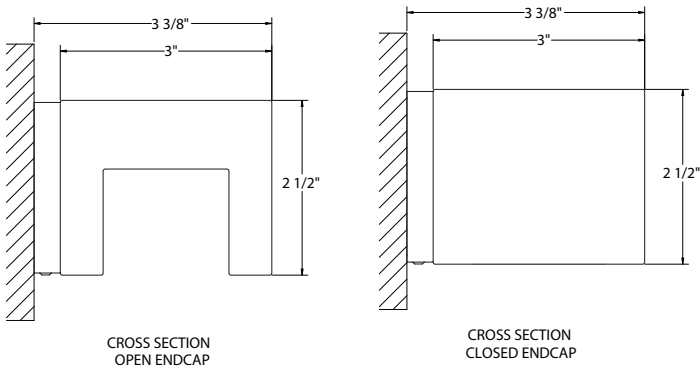
TYPE: _____ PROJECT: _____

CATALOG #: _____

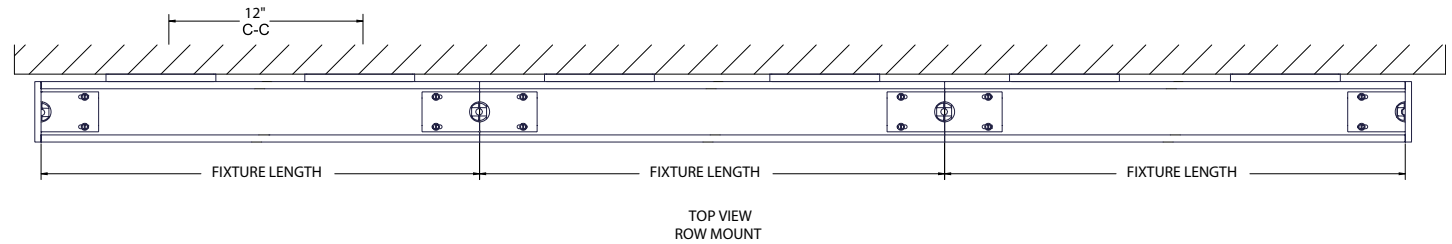
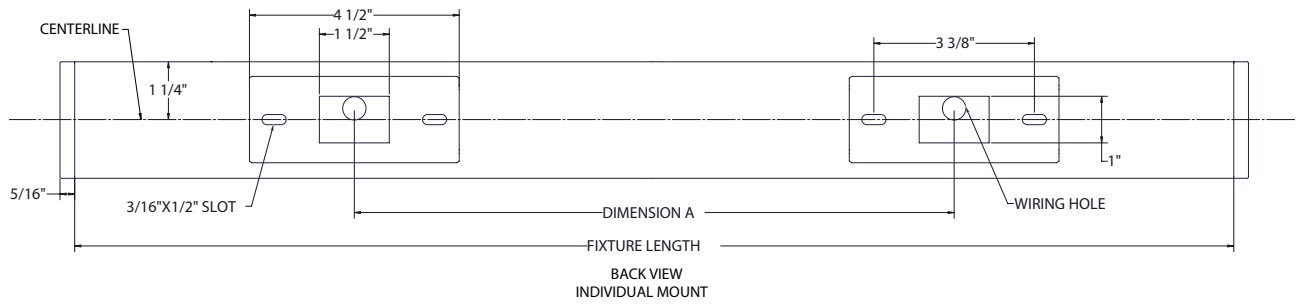
NELO 70L

OPEN APERTURE WALL INDIRECT/DIRECT

DIMENSIONS



FIXTURE LENGTH	DIMENSION A
24"	12"
36"	24"
48"	36"
60"	48"
72"	60"
96"	72"



DATE: _____ LOCATION: _____

TYPE: _____ PROJECT: _____

CATALOG #: _____

NELO 70L

OPEN APERTURE WALL INDIRECT/DIRECT

DIMENSIONS (CONTINUED)

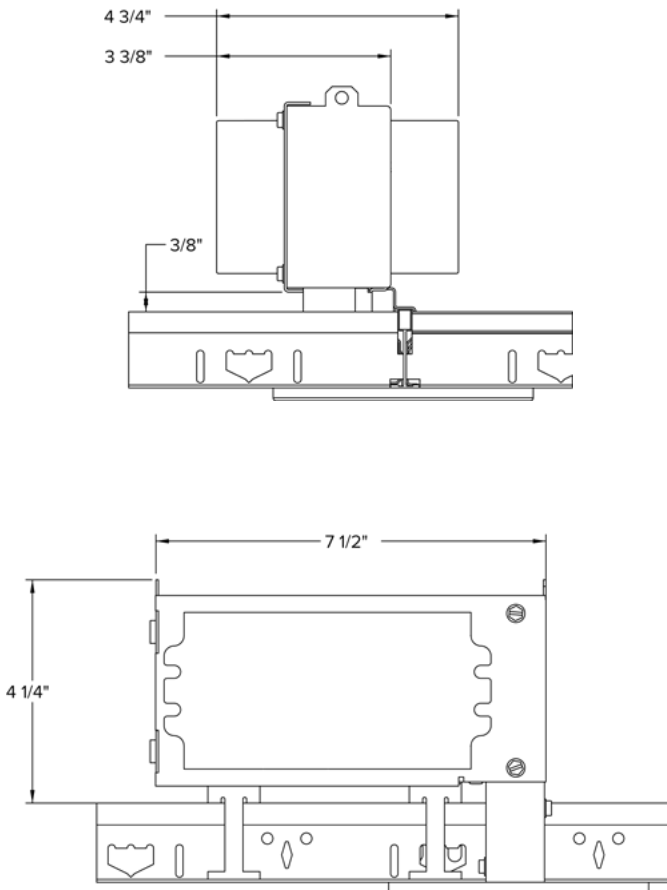
REMOTE ENCLOSURE

Drivers for this product must be remote-mounted in an accessible location. Remote driver enclosure not intended for contact with insulation (IC). Insulation must be minimum 3" from drivers and enclosure, in all directions. Driver enclosure is die formed galvanized steel rated for 25°C ambient. Driver enclosures are configured to Grid Mount (EG) or Drywall & Other (ED). When grid ceiling mount, enclosure attaches to the T-Bar with factory installed caddy clips. For drywall (or other) mount applications, driver enclosure configured with mounting holes to secure to blocking (by others).

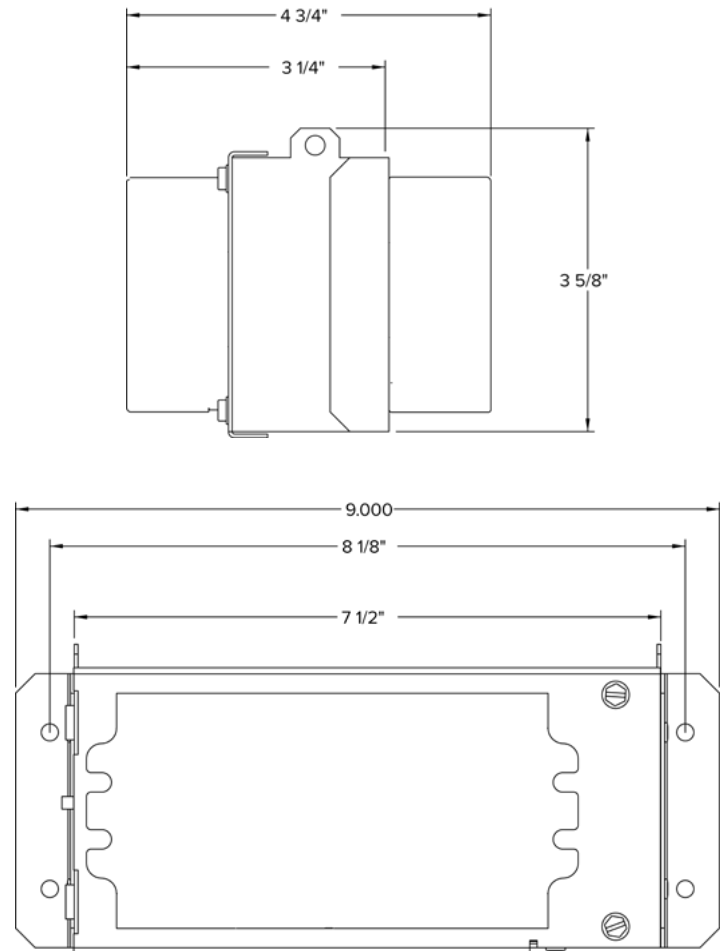
Every fixture section will come with at minimum (1) driver enclosure, and at minimum (1) factory installed Class 2 feed cord. Plenum rated cable (by others) required between enclosure and feed cord. See tables below.

See installation instructions for additional information.

Grid (EG)



Drywall + Other (ED)



Max Mounting Distance*

Wire Gauge	Distance (Ft.)
18	33
16	53
14	84
12	134

Enclosure Size & Count

2	Indirect/Direct with Emergency (EF)
1	All other configurations

*Mounting distance shown is total between luminaire and remote enclosure.

DATE: _____ LOCATION: _____

TYPE: _____ PROJECT: _____

CATALOG #: _____

NELO 70L

OPEN APERTURE WALL INDIRECT/DIRECT

PHOTOMETRY

70L-X-ID-STD-4-CX-35K-I100-D120-ECC

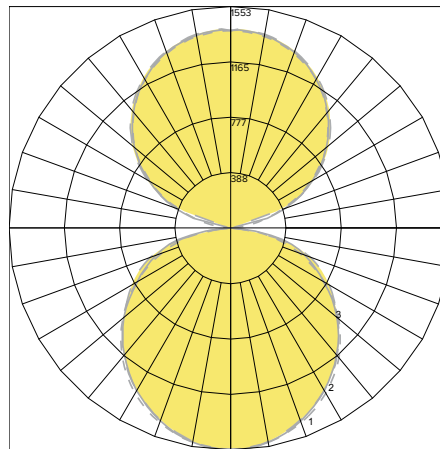
LUMINAIRE DATA

Test No.	Scaled From P21.01334
Description	70L Nelo Closed End Cap Indirect/Direct STD
Delivered Lumens	8800
Watts	69
Efficacy	128

ZONAL LUMEN SUMMARY

Zone	Lumens	% Luminaire
0-40	1981.83	22.5
0-60	3590.38	40.8
0-90	4800	54.5
0-180	8800	100

POLAR GRAPH



LEGEND:
 0-deg: - - - - -
 45-deg: - - - - -
 90-deg: - - - - -

70L-X-ID-LPA-4-CX-35K-I100-D120-ECC

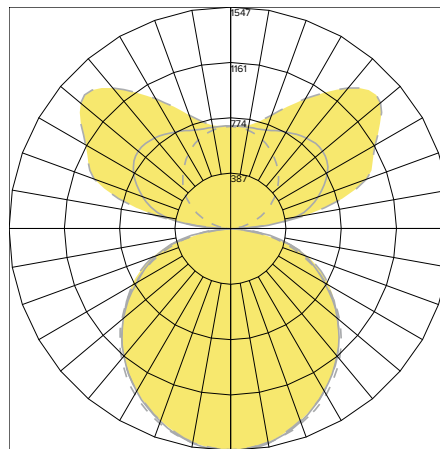
LUMINAIRE DATA

Test No.	Scaled From P21.01798
Description	70L Nelo Closed End Cap Indirect/Direct LPA
Delivered Lumens	8800
Watts	75
Efficacy	117

ZONAL LUMEN SUMMARY

Zone	Lumens	% Luminaire
0-40	1978.22	22.5
0-60	3590.19	40.8
0-90	4800	54.5
0-180	8800	100

POLAR GRAPH



LEGEND:
 0-deg: - - - - -
 45-deg: - - - - -
 90-deg: - - - - -

DATE:	LOCATION:
TYPE:	PROJECT:
CATALOG #:	

NELO 70L

OPEN APERTURE WALL INDIRECT/DIRECT

ADDITIONAL INFORMATION

DIMMING OPTIONS

D01	100%- 1% dimming range. Fixture will be wired for low voltage 0-10V dimming control.
D05	100%-5% dimming range, Fixture will be wired for low voltage 0-10V dimming control. Only applicable if either 2230TD, 2750T or 2765T is selected.
LEC	Hi-Lume 1% EcoSystem LED Driver with Soft-On, Fade-to-Black dimming technology.
NDM	Non-dimming. Fixture will be wired for fixed light output.

Rated Life

Tested in accordance to LM79-2008 & derived from EPA TM-21 calculator

L70: >54,000 (calculated per TM-21 extrapolated curve)

L70: 110000 (reported per TM-21/LM80 6x's limitation)

L85: >50000 (calculated per TM-21 extrapolated curve)

L85: 50500 (reported per TM-21/LM80 6x's limitation)

Rated Life (Driver)

Standard = 100,000 hours

Lutron = 50,000 hours