

Litespeed Note LED Pendant Direct

Fixture Type:


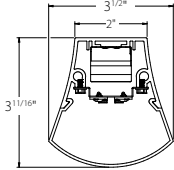

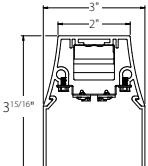
Project Name:

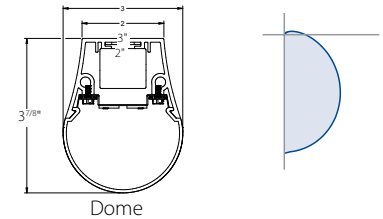
Ordering Guide

Feature	Code	Options	Description
Series		67L	Note
Mounting		P	Pendant
Fixture Distribution		D	Direct
Row Length (in feet)		____'	Enter in foot increments. Note fixture lengths below
Max length in row		04 08	4' 1219mm 8' 2438mm
Lens Type		DM BL SQ	Dome Bell Square
Finish/Color		C1	Matte White
Color temperature		35K	3500K
Output/ft (specifiable in 50 lumens/ft increments)		D055 D200	550 (min) 2000 (max)
Driver		NDM D01	Non Dimming 1% Dimming, 0-10V
Circuiting		1C	1 Circuit
Voltage		UNV 120 277	Universal Voltage 120 Volt 277 Volt
Suspension kit		FA1 FA2 FA3	Suspension Kit, 51" Suspension Kit, 87" Suspension Kit, 219" * Add suffix /V to replace all 2" non-feed canopy covers with 5" canopy covers. FA1/V = 51" suspension kit w/ 5" canopies; Stems (where applicable), canopies, and feed cord are supplied in white regardless of fixture color unless otherwise specified

Optional Features	Code	Options	Description
Emergency		_EF	Emergency Battery Required. Enter quantity. 2EF = 2 emergency batteries/row* *Limited to D055-D155 Output.
Thru-wiring		W1 W3	No Thru Wire Provide Normal Thru Wiring Only

Additional Lens Type Details:

Lens Type	Picture	Cross Section
Bell		
Square		



*See below for additional lens type details

Key Features

- Variable Intensity technology provides specifiable lumen output/wattage
- 2 SDCM color variation
- Removable Lens for ease of accessibility and installation

Performance

Nomenclature	Lumens/ft	W/ft	Efficacy
D055	550	4.0	136
D100	1000	8.4	120
D145	1450	10.2	142
D180	1800	14.3	127

*Based on Dome Lens 35K



 **Quick Find** litecontrol.com

LS67L-P-D

Litespeed Note LED Pendant Direct

Details

Construction:

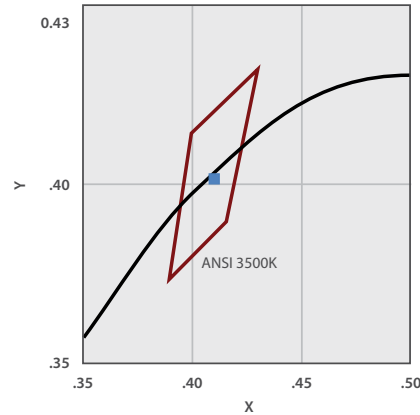
Housing- extruded aluminum.
End caps- die cast aluminum.

Finish:

Visit www.litecontrol.com/finishes for details.

CCT:

35K-3500K output multiplier 1.0



Color Variation:

2 step MacAdam ellipse

Output (VI technology):

Variable Intensity (VI) technology allows precise specification of fixture output/wattage. Fixture will be programmed and labeled to specification. Specify each in 50 lumen increments/ft within the below range:

	Lumens/ft	Nomenclature
Direct		
Min:	550	D055
Max:	2000	D200

Driver:

NDM: Non-dimming. Fixture will be wired for fixed light output.
D01: 100%-1% dimming range. Fixture will be wired for low voltage 0-10V dimming control.

Circuiting:

1C (1 Circuit) Fixture wired for a single circuit.

Suspension kit:

3/64" diameter field-adjustable aircraft cables. Suspension required at every row joint. 1/4"-20 double nut for fixture suspension and top alignment. Suspension kit ships separately.

Emergency:

Integral-Bodine BSL310LP
Inverter-Compatible. Provided by others.

Thru wiring:

See separate LC-Thru wire spec sheet for additional details.

Row joining:

Each row joining uses #8-32 machine screws/nuts for pulling the fixture flush at the end header location. A 1/4"-20 machine screw and double nut is also used for top alignment to ensure tight, consistent seams.

Feed cord:

3-wire, 5 amps max; 4-wire, 7 amps max; 5-wire, 5 amps max.

Field Accessibility:

Lens, LED Boards, and drivers can be accessed and removed from installed fixture. LED Boards can be replaced either individually or as part of a module.

Fixture weight:

2 lbs/ft.

Ratings:

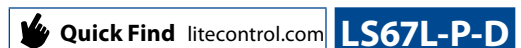
CSA listed for damp locations.

Warranty:

LED boards- 5 years
LED drivers (standard)- 5 years

Rated Life:

Test in accordance to the LM79-2008 and derived from EPA TM-21 calculator
L70: 257,000 (calculated per TM-21 extrapolated curve)
L70: >61,000 (reported per TM-21/LM80 6x's limitation)
L90: 66,000 (calculated per TM-21 extrapolated curve)
L90: >61,000 (reported per TM-21/LM80 6x's limitation)



Litespeed Note LED Pendant Direct

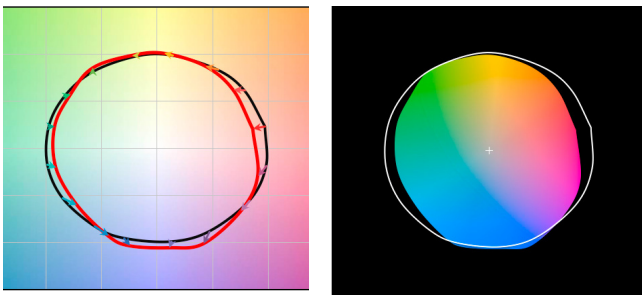
Details (continued)

Color Characteristics:

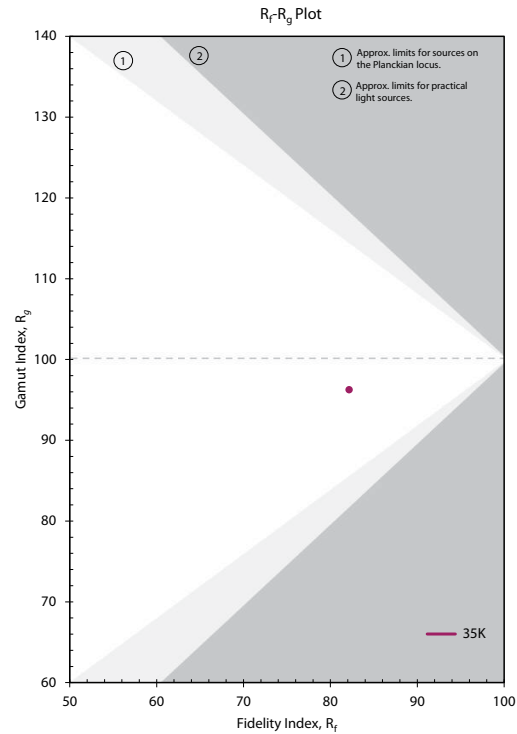
Value	Ordering Code
	35K
Rf	82
Rg	98
CCT (K)	3479
Duv	-0.0009
x	0.4055
y	0.3888
CIE Ra	83

Color Vector Graphic:

35K:

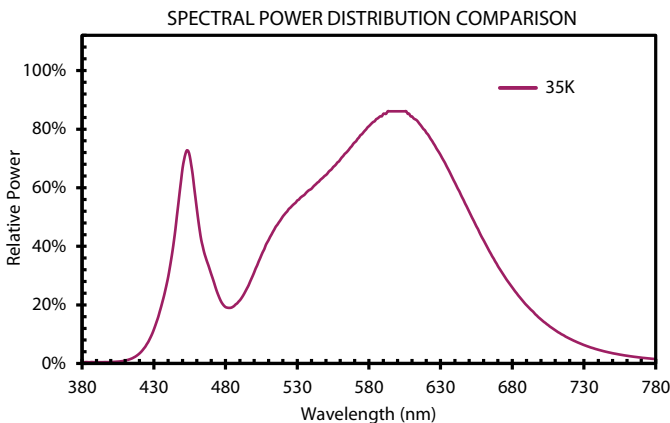


Color Gamut/Fidelity Plot



CRI:
80 minimum

Spectral Distribution:



CCT	CRI	R1	R2	R3	R4	R5	R6	R7	R8	R9	R10	R11	R12	R13	R14
35K	83	82	89	94	82	82	85	86	66	16	73	81	64	83	96

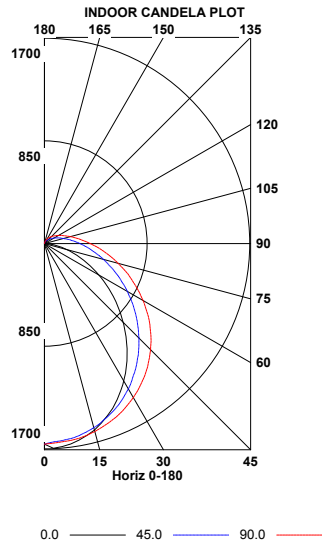
Quick Find litecontrol.com

LS67L-P-D

Litespeed Note LED Pendant Direct

Photometry

Fixture: 67L-P-D-4-4-DM-C1-35K-D145
CCT: 3500K
Output: D145
Nominal lumens: 1450 lumens/ft
Efficacy: 128 lm/W
Test report: 67L-P-D-4-4-DM-C1-35K-D145.IES



Zonal Lumens		
Zone	Lumens	Lamp %
0-40	2096	36.1%
0-60	3724	64.2%
0-90	5205	89.7%
90-180	597	10.3%
0-180	5802	100.0%

Litespeed Note LED Pendant Direct

Litespeed Program Rules

- Shipment within 10 business days from receipt of released, cleared order. Allow 1 day for processing.
- Orders and emails should be clearly labeled "Litespeed."
- Quantity cap of 200 feet max per row.
- 400' maximum order total. Contact Factory for larger quantities.
- Total order max quantity for individual fixtures is 50.
- Standard terms and conditions (marking, packaging, and shipping methods) apply.
\$2500 freight minimum.
- Products finished matte white (C1) only.
- 51", 87", and 219" field adjustable aircraft cable mounting provided on all pendant fixtures. Stems not available.
- Changes or cancellations are not permitted after the order has been released and the order acknowledgement has been sent.

