

LTC-4RDW

LITEISTRY 4" ROUND CYLINDER

LITEISTRY™

FEATURES

- 4" architectural LED downlight and wall wash cylinder delivering 600–4000 lm
- Five beam distributions from 0.3 to 1.2 Spacing Criteria
- Quiet reflector appearance with 50° optical cutoff
- 2700K–5000K, 80+ and 90+ CRI options
- Available in Surface, Wall, Pendant, or Cable/Cord Mount configurations
- Versatile canopy options for recessed and surface-mounted J-box applications
- Variety of dimming protocol options including 0–10V, DALI, DMX, Forward Phase and EcoSystem



RELATED PRODUCTS

- [LTC-3RDW SpectraSync](#)
- [LTC-3RDWPH PowerHUBB](#)
- [3" LITEISTRY Family](#)
- [4" LITEISTRY Family](#)
- [6" LITEISTRY Family](#)

CONTROL TECHNOLOGY



SPECIFICATIONS

CONSTRUCTION

- Seamless heavy gauge aluminum cylinder body with a clean appearance
- Available in Surface (S), Wall (W), Pendant (P), or Cable/Cord (CM) mounting types
- Canopy options include Conduit Canopy (CC), Power Canopy (PC), Power Conduit Canopy (PCC), or Recessed Mount Driver (RMD), (See Dimensions section for details)
- For S, P, or CM mounting with CC or PCC canopy options, use 4" octagonal junction box (by others)
- All Wall Mount: Die cast aluminum mounting arm allows direct mounting to standard 4" octagonal or square junction box
- Pendant Mount canopy options allow sloped ceiling up to 35° (5° for RMD)
- Select from 4 standard architectural painted finishes, Brushed Aluminum, or specified custom color

OPTICS

- Visually pleasing 50° cutoff to source and source image
- The light distribution is free of distracting bright spots or pixelation and the perimeter has a smooth transition
- Optical grade silicone lens integral to light engine
- High purity spun aluminum reflector, self-flanged
- Large selection of anodized finishes and colors
- Painted cones and flange options available

ELECTRICAL

- Chip-on-board (COB) LED with 2 SDCM
- Multiple CCTs, 80+ or 90+ CRI
- Long LED life: L90 at 55,000 (TM-21)
- Universal voltage 120V–277V driver, 347V optional
- UL Class 2, inherent short circuit and overload protection, RoHS compliant
- Flicker free 0-10V dimming with 1% or <1% performance
- DALI, DMX, and Lutron Forward Phase and EcoSystem options

INSTALLATION

- Light Engine/Trim assembly is mechanically secured with torsion springs for ease of installation
- A quick connect is provided for easy maintenance or upgrade
- Recessed Mount Driver (RMD) is accessible from above or below ceiling; assembly mounts with 1/4-20 threaded rod (by others) and requires 6" plenum clearance
- Conduit Canopy options (CC or PCC) allow field selectable conduit entry (up to 4@ 90°) (See Dimensions section)
- Conduit Canopies utilize a patent pending mounting yoke to secure cylinder to the ceiling surface
- Cable/Cord can be cut in the field to custom length
- Standard and Custom Pendant lengths available (specify when ordering)

CERTIFICATIONS

- cCSAus certified to UL 1598
- Wall Mount up to 30L (except CC and PCC): Suitable for wet locations
- Pendant Mount up to 30L (except CC or PCC): Suitable for wet locations under covered ceiling
- Surface, Cable/Cord Mount, all Wall Wash, and all 35L-40L and all CC and PCC: Suitable for damp locations
- This product qualifies as a "designated country construction material" per FAR 52.225-11 Buy American-Construction. Materials under Trade Agreements effective 6/6/2020. See [Buy American Solutions](#).

WARRANTY

- 5 year warranty
- See [HLI Standard Warranty](#) for additional information

| KEY DATA | |
|-----------------------|---------------|
| Lumen Range | 600-4000 |
| Wattage Range | 8-52 |
| Efficacy Range (LPW) | 90-99* |
| Reported Life (Hours) | L90 / >55,000 |
| Input Current (mA) | 67-433 (120V) |

*Based on Specular, 35K, 80 CRI



LTC-4RDW

LITEISTRY 4" ROUND CYLINDER

DATE: _____ LOCATION: _____

TYPE: _____ PROJECT: _____

CATALOG #: _____

ORDERING GUIDE

Example: LTC-4RD-CM15WHPCC-15L35K9WD-DM1-SS-WH

CATALOG #

| LTC-4RD | | Cylinder Mounting | | Canopy Option | | Lumen Output | | CCT | | CRI | |
|--------------------------------|-----------------------------|-------------------|---|---|--------------------------------------|--------------|-------------------------------|------------|--------------------------|------------|---------|
| Aperture/Shape/Function | | S | Surface | <i>Refer to chart on Page 3 for available canopy options based on driver/controls selection</i> | | 06L | 600 Lumens ³ | 27K | 2700K | 8 | 80+ CRI |
| LTC-4RD | 4" Round Downlight Cylinder | W | Wall | | | 10L | 1000 Lumens ³ | 30K | 3000K | 9 | 90+ CRI |
| LTC-4RW | 4" Round Wall Wash Cylinder | P | Pendant (Standard)Nominal 18" length from cylinder top to ceiling ¹⁰ | <i>Standard Canopy ^{3,9}</i> | | 15L | 1500 Lumens ³ | 35K | 3500K | | |
| | | P_ | Pendant (Custom) Specify length from cylinder top to ceiling in 1 inch increments from 15 to 60 ¹⁰ | | | CC | Conduit Canopy ^{3,9} | 20L | 2000 Lumens ³ | 40K | 4000K |
| | | CM | 6ft Clear Cord | PC | Power Canopy ^{3,9} | 25L | 2500 Lumens ³ | 50K | 5000K ¹ | | |
| | | CMBL | 6ft Black Cord | PCC | Power Conduit Canopy ^{3,9} | 30L | 3000 Lumens ³ | | | | |
| | | CMWH | 6ft White Cord | RMD | Recessed Mount Driver ^{3,9} | 35L | 3500 Lumens ^{3,8} | | | | |
| | | CM15 | 15ft Clear Cord | | | 40L | 4000 Lumens ^{3,8} | | | | |
| | | CM15BL | 15ft Black Cord | | | | | | | | |
| | | CM15WH | 15ft White Cord | | | | | | | | |

| Distribution | | Driver Options | | Control Options | | Voltage | | Reflector Finish | | Reflector Color | |
|--------------|--|----------------|--|-----------------|---|---|-------------------------------|---|-------------------------------|-----------------------|--|
| VNR | Very Narrow (0.3 SC/20°) ¹² | DM1 | 0-10V Dimming to 1% ³ | NXE | NX Enabled, Dual SmartPorts ^{2,3,7} | <i>Standard 120-277V</i> 34 347V ^{3,6} | | <i>Finish not applicable with painted reflectors (WC or BC)</i> | | <i>Standard Clear</i> | |
| NR | Narrow (0.4 SC/29°) | DM01 | 0-10V Dimming to <1% ³ | NXWE | NX Wireless Enabled ^{2,3,7} | | | | | | |
| MD | Medium (0.7 SC/44°) | DMX | DMX with RDM dimming to <0.1% ^{3,7} | NXWD | NX Wireless Enabled, Dual SmartPorts ^{2,3,7} | SS | Semi-Specular | BL | Black | | |
| WD | Wide (0.9 SC/61°) | DALI | DALI Dimming to 1% ³ | LV | Lutron Vive Enabled, 0-10V (requires DM1 driver) ^{3,7} | MFC | American Matte™ | LW | Light Wheat | | |
| XW | Extra Wide (1.2 SC/78°) | 2DM | Lutron Hi-Lume 2-wire Dimming to 1% (120V Forward Phase only) ³ | LVE | Lutron Vive Enabled, EcoSystem, (requires EDM) ^{3,7} | VS | Softglow® | PW | Pewter | | |
| WW | Wall Wash ⁸ | EDM | Lutron Hi-Lume EcoSystem Dimming to 1% ³ | | | WC | Painted White Cone and Flange | BC | Painted Black Cone and Flange | | |
| | | | | | | VSS | SoftSheen™ | | | | |

| Flange Color Options | | Exterior Cylinder Color | |
|---|---------------------------|-------------------------|---|
| <i>Standard matches reflector color</i> | | BA | Brushed Aluminum ¹¹ |
| WT | White Flange ⁴ | BZ | Bronze |
| BT | Black Flange ⁴ | BL | Matte Black |
| | | WH | Matte White |
| | | SVR | Silver |
| | | CC_ | Custom Color (Specify RAL#, Example: CCRAL1073) |
| | | TCC_ | True Custom Color (Specify description, Example: TCC BABY BLUE, Paint chip must be provided to match) |

Notes:

- 1 5000K available in 80+ CRI only.
- 2 NX requires DM1 driver option.
- 3 For lumen outputs/configurations available, see chart on page 3.
- 4 WT not needed for WC, BT not needed for BC.
- 5 Cable/Cord can be cut in the field to custom length.
- 6 347V requires DM1 driver option; not available with Controls.
- 7 LV/LVE not available with Wall mount (W); Standard S, P, CM with DMX or controls options require RMD. (PC or PCC highly recommended), see Dimensions section for details.
- 8 35L and 40L require vented cylinder. Not available with WW.
- 9 See Dimensions section for canopy configuration details.
- 10 Stem length varies by canopy configuration. See Dimensions section for details.
- 11 Canopy color for Brushed Aluminum is Black.
- 12 VNR available up to 30L.



LTC-4RDW

LITEISTRY 4" ROUND CYLINDER

DATE: _____ LOCATION: _____
 TYPE: _____ PROJECT: _____
 CATALOG #: _____

DRIVER/CONTROL OPTION AVAILABILITY

Driver and Control options listed below are available in the configurations and lumen packages as shown.

| Driver/Control Option | | Cylinder Mounting ¹ | Canopy Options ² | 06L | 10L | 15L | 20L | 25L | 30L | 35L | 40L |
|-----------------------|-----------------------------|--------------------------------|-----------------------------|-----|-----|-----|-----|-----|-----|-----|-----|
| DM1 | 0-10V 1% | W | Standard/CC | ● | ● | ● | ● | ● | ● | ▼ | ▼ |
| | | P/S/CM | Standard/CC | ● | ● | ● | ● | ● | ● | ▼ | ▼ |
| DM01 | 0-10V <1% | W | Standard/CC | ● | ● | ● | ● | ● | | | |
| | | P/S/CM | Standard/CC | ● | ● | ● | ● | ● | | | |
| DALI | DALI 1% | W | Standard/CC | ● | ● | ● | ● | ● | | | |
| | | P/S/CM | Standard/CC | ● | ● | ● | ● | ● | | | |
| DMX | DMX w/ RDM <0.1% | W | Standard/CC | ● | ● | ● | ● | ● | ● | ▼ | ▼ |
| | | P/S/CM | PC/PCC | ● | ● | ● | ● | ● | ● | ▼ | ▼ |
| | | | RMD ⁵ | ● | ● | ● | ● | ● | ● | | |
| 2DM | Lutron Hi-Lume 2-wire 1% | W | Standard/CC | | ● | ● | ● | | | | |
| | | S/P/CM | Standard/CC | | ● | ● | ● | | | | |
| EDM | Lutron Hi-Lume EcoSystem 1% | W | Standard/CC | | ● | ● | ● | ● | | | |
| | | S/P/CM | Standard/CC | | ● | ● | ● | ● | | | |
| 347V ³ | 347 Volts (DM1 required) | W | Standard/CC | | ● | ● | ● | ● | ● | ▼ | ▼ |
| | | P/S/CM | Standard/CC | | ● | ● | ● | ● | ● | ▼ | ▼ |

| | | | | | | | | | | | |
|-------------|-----------------------------|--------|------------------|---|---|---|---|--|--|--|--|
| NXE | NX (DM1 required) | W | PC/PCC | ● | ● | ● | ● | | | | |
| | | P/S/CM | PC/PCC/RMD | ● | ● | ● | ● | | | | |
| NXWD & NXWE | NX Wireless (DM1 required) | W | PC/PCC | ● | ● | ● | ● | | | | |
| | | S | RMD | ● | ● | ● | ● | | | | |
| | | P/CM | PC/PCC/RMD | ● | ● | ● | ● | | | | |
| LV | Lutron Vive® (DM1 required) | W | N/A | | | | | | | | |
| | | P/S/CM | RMD ⁵ | ● | ● | ● | ● | | | | |
| LVE | Lutron Vive® (EDM required) | W | N/A | | | | | | | | |
| | | P/S/CM | RMD | | ● | ● | ● | | | | |

▼ Vented cylinder required, see line art for more details.

- 1 See Cylinder Mounting chart.
- 2 See Canopy Options chart and Dimensions section for details.
- 3 Not available with Controls.
- 4 RMD is Non-IC rated unless noted.
- 5 IC Rated.

| Cylinder Mounting | | Canopy Options | |
|-------------------|------------------|----------------|------------------------------------|
| S | Surface Mount | (Blank) | Standard Canopy |
| W | Wall Mount | CC | Conduit Canopy |
| P | Pendant Mount | PC | Power Canopy |
| CM | Cable/Cord Mount | PCC | Power Conduit Canopy |
| | | RMD | Recessed Mount Driver ⁴ |



LTC-4RDW

LITEISTRY 4" ROUND CYLINDER

DATE: _____ LOCATION: _____

TYPE: _____ PROJECT: _____

CATALOG #: _____

CONTROLS

NX Distributed Intelligence™ Lighting Controls:

Supports applications in a variety of deployment options- wired, wireless, hybrid. Integrates with and enables a wide array of luminaires including those with SpectraSync™ Color Tuning Technology.



| NX INTEGRATED CONTROLS REFERENCE | | | | | | | | |
|---|--------|-------------|------------|-----------|---------------------|---------------|----------------|---|
| NX Option | Sensor | Networkable | Scheduling | Occupancy | Daylight Harvesting | 0-10V Dimming | On/off Control | Bluetooth® App Programming |
| <u>NX Networked – Wired</u> | | | | | | | | |
| NXE | N/A | Yes | Yes | No | No | Yes | Yes | Requires NXBTC/R ¹ |
| <u>NX Networked – Wireless</u> | | | | | | | | |
| NXWE ² | N/A | Yes | Yes | No | No | Yes | Yes | No ³ |
| <u>NX Networked – Wired/Wireless</u> | | | | | | | | |
| NXWD | N/A | Yes | Yes | No | No | Yes | Yes | Requires NXBTC/R ^{1,3} |

1 NXBTC/R needs to be plugged into an available NX SmartPort™ on the fixture network

2 Programming via App requires factory assistance

3 To program NXWE option, need to consult factory. If connected to an area controller, programming can be done from that



LTC-4RDW

LITEISTRY 4" ROUND CYLINDER

DATE: _____ LOCATION: _____

TYPE: _____ PROJECT: _____

CATALOG #: _____

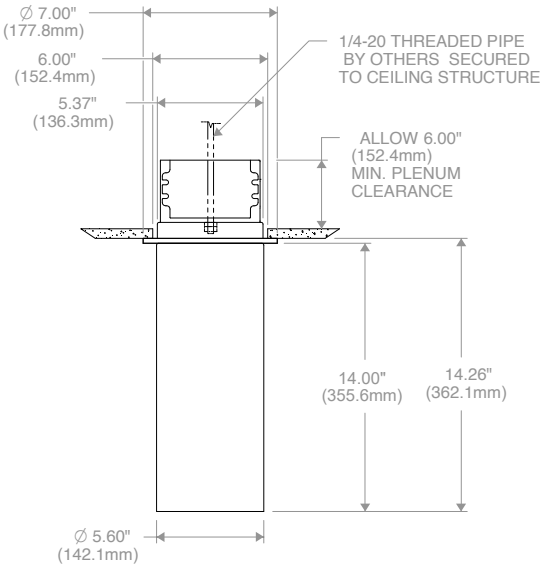
PERFORMANCE DATA TABLE

Performance data provided below is for 3500K, 80 CRI with Specular Clear reflector finish/color

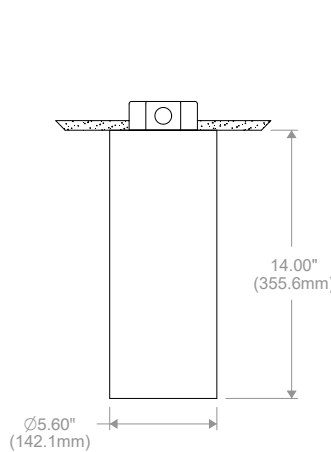
| Lumen Package | Nominal Lumens | Distribution | Delivered Lumens | Watts | LPW |
|---------------|----------------|-----------------------|------------------|-------|-----|
| 06L | 600 | Very Narrow | 691 | 7.6 | 91 |
| | | Narrow | 785 | 7.8 | 101 |
| | | Medium | 726 | 7.8 | 93 |
| | | Wide | 664 | 7.8 | 85 |
| | | Extra Wide | 644 | 7.8 | 83 |
| | | Open Single Wall Wash | 620 | 7.8 | 79 |
| 10L | 1000 | Very Narrow | 1132 | 11.8 | 96 |
| | | Narrow | 1255 | 12.0 | 105 |
| | | Medium | 1160 | 12.0 | 97 |
| | | Wide | 1062 | 12.0 | 89 |
| | | Extra Wide | 1030 | 12.0 | 86 |
| | | Open Single Wall Wash | 991 | 12.0 | 83 |
| 15L | 1500 | Very Narrow | 1623 | 17.2 | 94 |
| | | Narrow | 1795 | 18.6 | 97 |
| | | Medium | 1660 | 18.6 | 89 |
| | | Wide | 1519 | 18.6 | 82 |
| | | Extra Wide | 1474 | 18.6 | 79 |
| | | Open Single Wall Wash | 1418 | 18.6 | 76 |
| 20L | 2000 | Very Narrow | 2032 | 22.4 | 91 |
| | | Narrow | 2238 | 22.5 | 99 |
| | | Medium | 2152 | 22.5 | 96 |
| | | Wide | 2059 | 22.5 | 92 |
| | | Extra Wide | 2028 | 22.5 | 90 |
| | | Open Single Wall Wash | 1989 | 22.7 | 87 |
| 25L | 2500 | Very Narrow | 2447 | 28.6 | 86 |
| | | Narrow | 2985 | 27.8 | 107 |
| | | Medium | 2760 | 27.8 | 99 |
| | | Wide | 2526 | 27.8 | 91 |
| | | Extra Wide | 2451 | 27.8 | 88 |
| | | Open Single Wall Wash | 2357 | 27.8 | 85 |
| 30L | 3000 | Very Narrow | 2855 | 35.9 | 80 |
| | | Narrow | 3583 | 34.6 | 104 |
| | | Medium | 3313 | 34.6 | 96 |
| | | Wide | 3032 | 34.6 | 88 |
| | | Extra Wide | 2941 | 34.6 | 85 |
| | | Open Single Wall Wash | 2829 | 34.6 | 82 |
| 35L | 3500 | Narrow | 4280 | 42.9 | 100 |
| | | Medium | 3957 | 42.9 | 92 |
| | | Wide | 3622 | 42.9 | 84 |
| | | Extra Wide | 3514 | 42.9 | 82 |
| | | Open Single Wall Wash | 3380 | 42.9 | 79 |
| 40L | 4000 | Narrow | 4885 | 51.5 | 95 |
| | | Medium | 4517 | 51.5 | 88 |
| | | Wide | 4134 | 51.5 | 80 |
| | | Extra Wide | 4011 | 51.5 | 78 |
| | | Open Single Wall Wash | 3858 | 51.5 | 75 |

DIMENSIONS

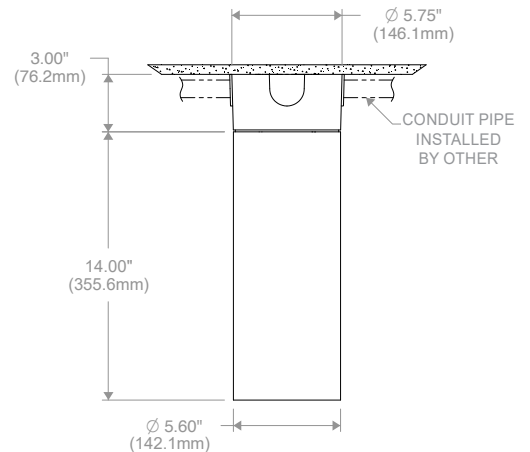
SURFACE (S)



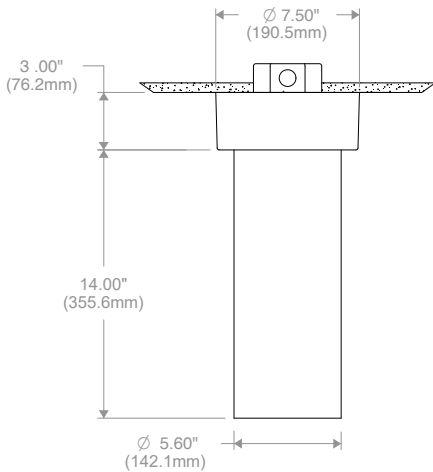
Surface Recessed Mount Driver SRMD



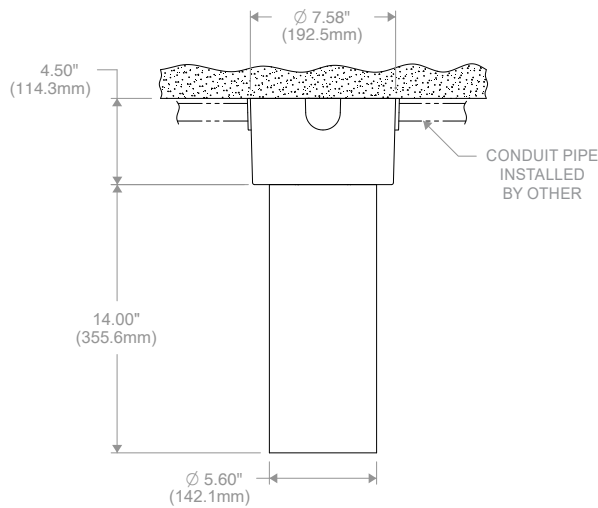
Surface Standard Canopy S



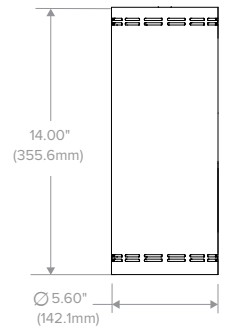
Surface Conduit Canopy SCC



Surface Power Canopy SPC



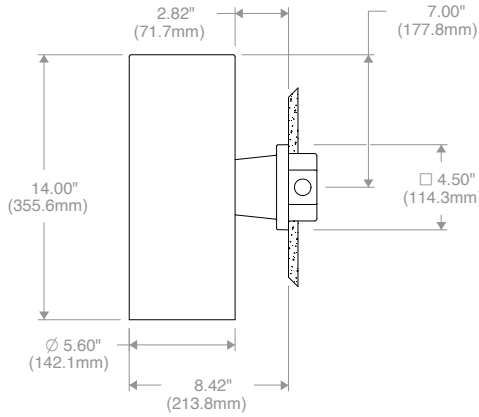
Surface Power Conduit Canopy SPCC



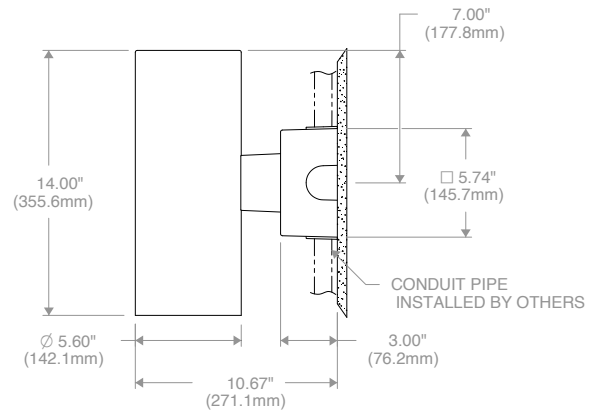
Vented Detail view All 35L and 40L (All Mountings)

DIMENSIONS

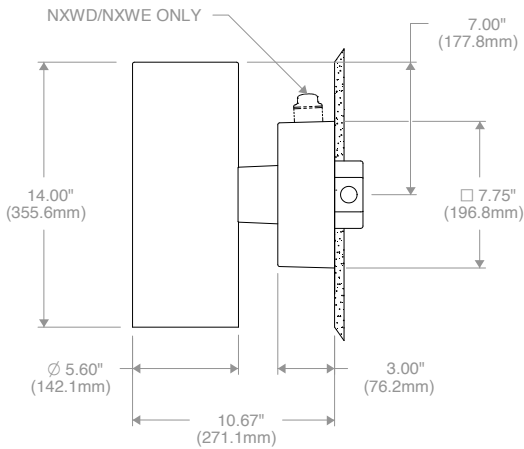
WALL (W)



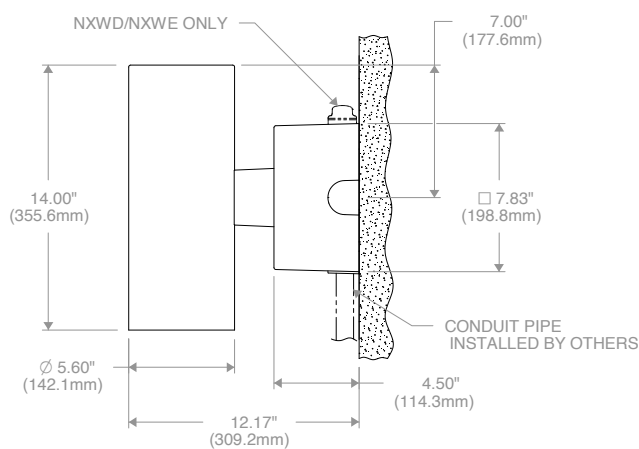
**Wall
(Standard Canopy)
W**



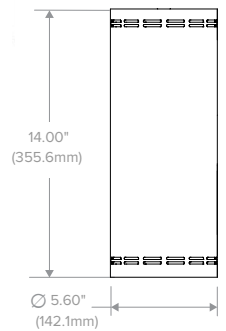
**Wall
Conduit Canopy
WCC**



**Wall
Power Canopy
WPC**



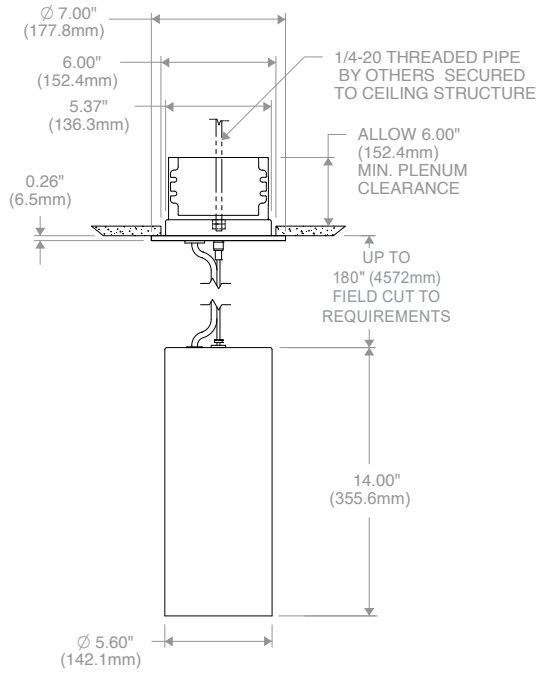
**Wall
Power Conduit Canopy
WPC**



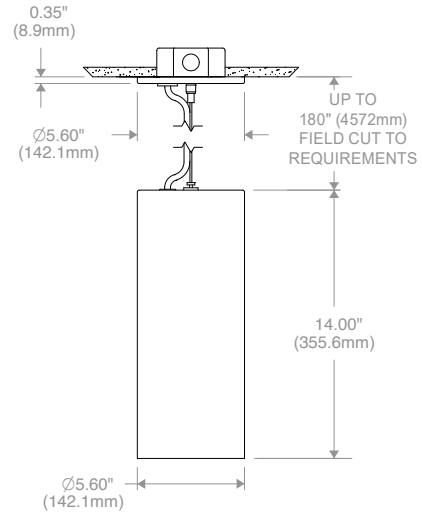
**Vented Detail view
All 35L and 40L
(All Mountings)**

DIMENSIONS

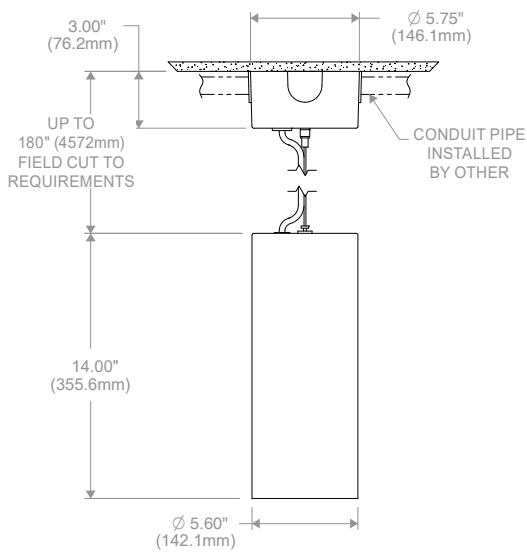
CABLE/CORD (CM)



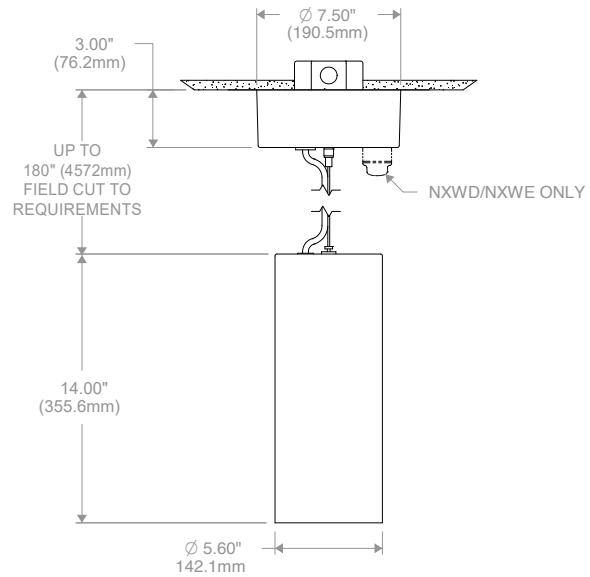
**Cable/Cord
Recessed Mount Driver
CMRMD**



**Cable/Cord
(Standard Canopy)
CM**



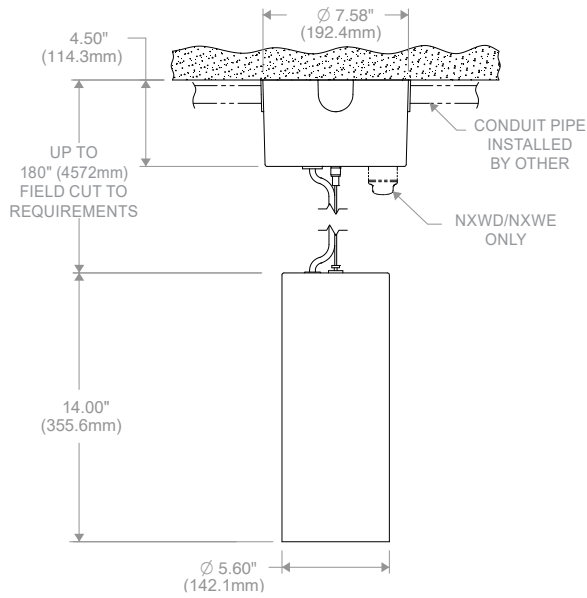
**Cable/Cord
Conduit Canopy
CMCC**



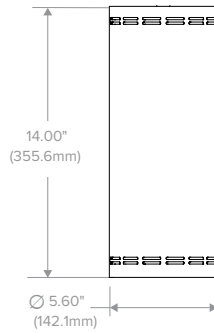
**Cable/Cord
Power Canopy
CMPC**

DIMENSIONS CONTINUED

CABLE/CORD (CM)



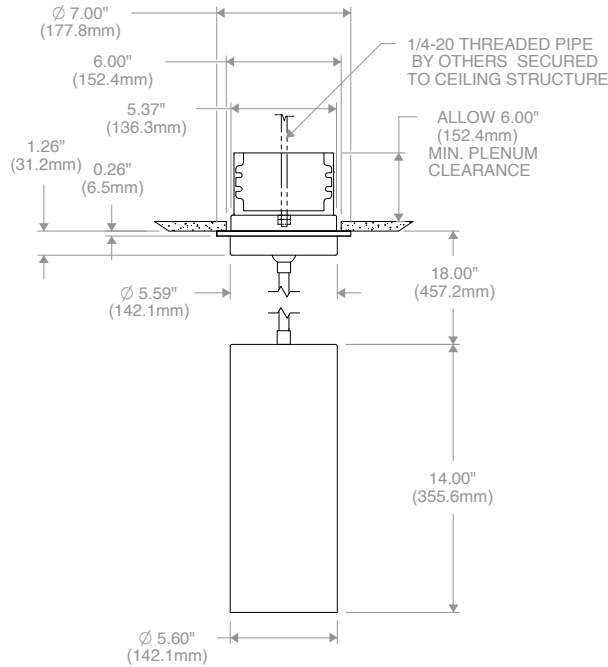
**Cable/Cord
Power Conduit Canopy
CMPC**



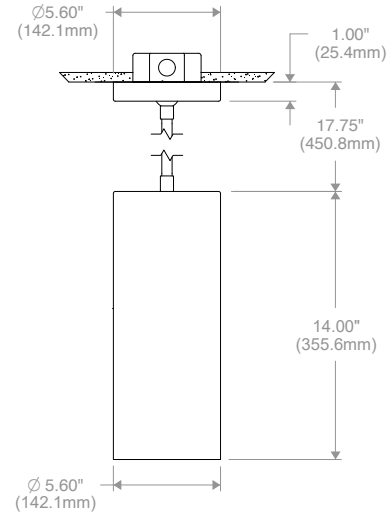
**Vented Detail view
All 35L and 40L
(All Mountings)**

DIMENSIONS

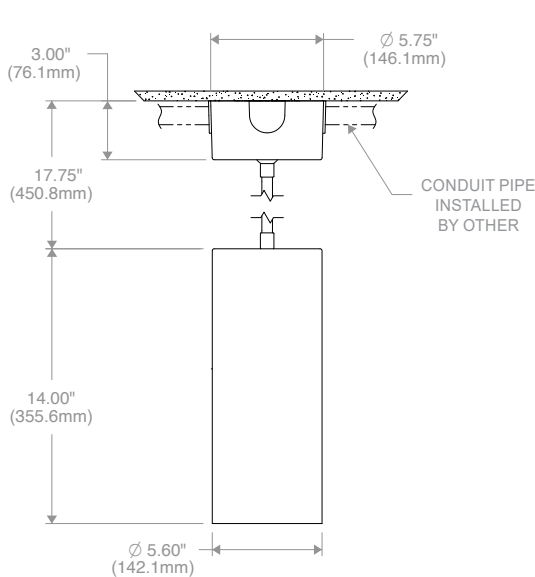
PENDANT (P)



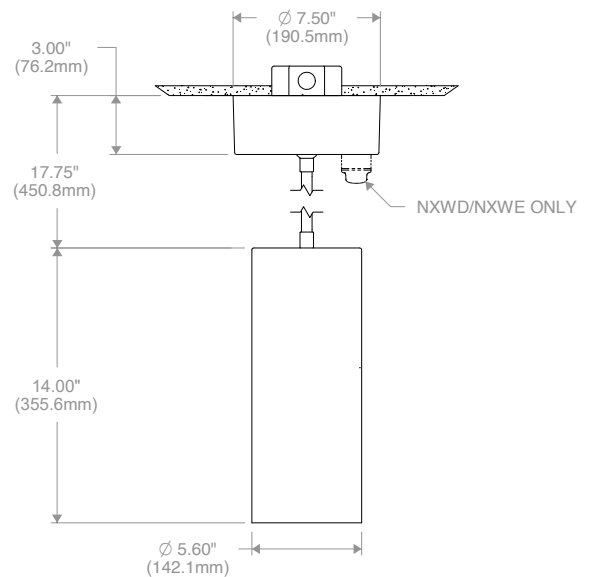
Pendant Recessed Mount Driver PRMD



Pendant (Standard Canopy) P



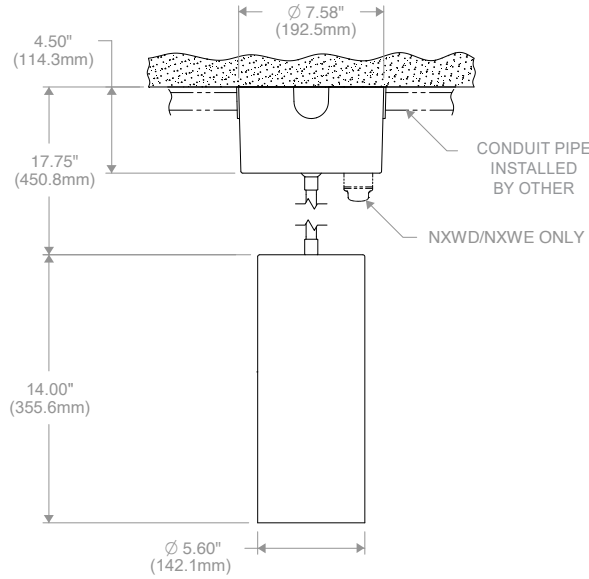
Pendant Conduit Canopy PCC



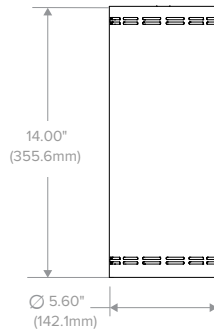
Pendant Power Canopy PPC

DIMENSIONS CONTINUED

PENDANT (P)



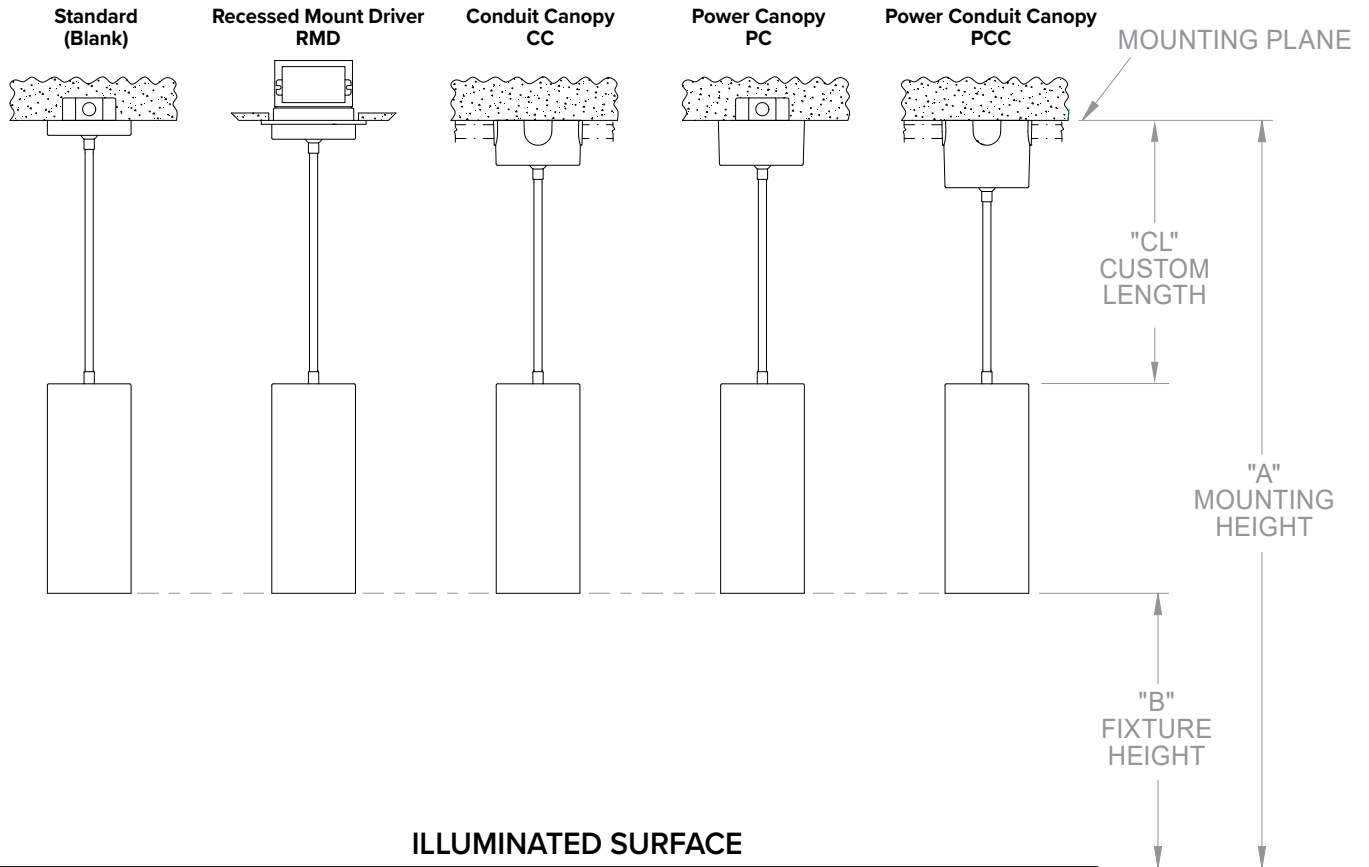
**Pendant
Power Conduit Canopy
PPCC**



**Vented Detail view
All 35L and 40L
(All Mountings)**

DIMENSIONS

PENDANT CUSTOM LENGTH



Custom Length (CL) = Mounting Height (A) - Fixture Height (B) - 14" Cylinder

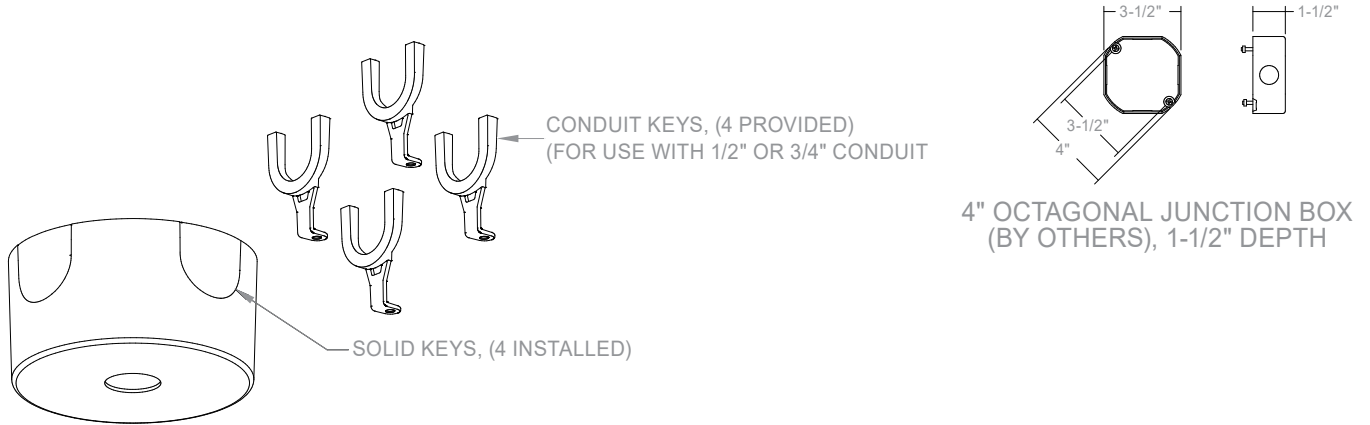
Ordering Example:

A (120") - B (72") - 14" = 34" Custom Length
LTC-4RD-P34

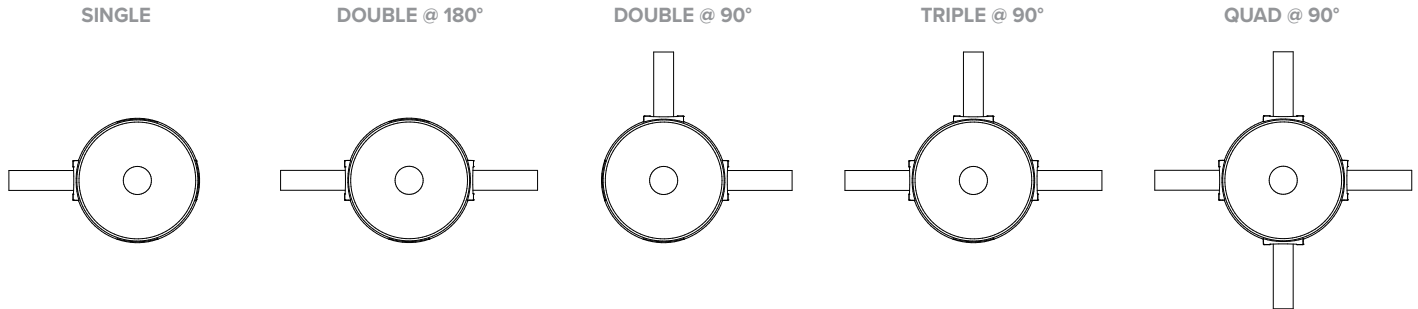
DIMENSIONS

CONDUIT CANOPY DETAILS

CC and PCC Conduit Canopy options come standard with (4) Solid Keys installed and (4) Conduit Keys provided.
Accommodates a 4" octagonal junction box with 1-1/2" depth (by others).



CONDUIT MOUNTING EXAMPLES - FIELD INTERCHANGEABLE



LTC-4RDW

LITEISTRY 4" ROUND CYLINDER

PHOTOMETRY

LTC-4RD-P-20L35K8VNR-DM1-S-BL

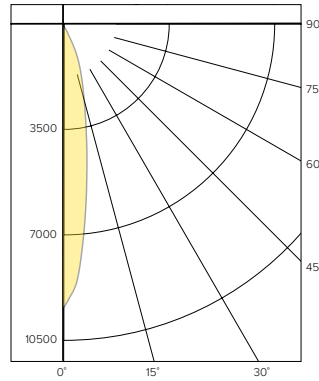
LUMINAIRE DATA

| | |
|-------------------|-------------------------------------|
| Test No. | R20.01331-C01 |
| Description | 2000 lm, Very Narrow, 3500K, 80 CRI |
| Delivered Lumens | 2032 |
| Watts | 22.4W |
| Efficacy | 91 |
| Mounting | Pendant |
| Spacing Criterion | 0.3 |
| Beam Angle (FWHM) | 20 |

ZONAL LUMEN SUMMARY

| Zone | Lumens | % Luminaire |
|-------|--------|-------------|
| 0-40 | 2011 | 99.0 |
| 0-60 | 2032 | 100.0 |
| 0-90 | 2032 | 100.0 |
| 0-180 | 2032 | 100.0 |

POLAR GRAPH



CANDELA DISTRIBUTION

| Degree | Candela |
|--------|---------|
| 0 | 9388 |
| 5 | 7360 |
| 15 | 2780 |
| 25 | 1073 |
| 35 | 198 |
| 45 | 20 |
| 55 | 0 |
| 65 | 0 |
| 75 | 0 |
| 85 | 0 |
| 90 | 0 |

LUMINANCE DATA*

| Vertical Angle | Average |
|----------------|---------|
| 45° | 3489 |
| 55° | 0 |
| 65° | 0 |
| 75° | 0 |
| 85° | 0 |

*Candela/Square Meter

LTC-4RD-P-20L35K8NR-DM1-S-BL

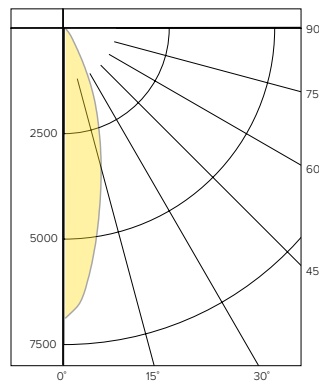
LUMINAIRE DATA

| | |
|-------------------|--------------------------------|
| Test No. | R19.00532-01 |
| Description | 2000 lm, Narrow, 3500K, 80 CRI |
| Delivered Lumens | 2238 |
| Watts | 22.5W |
| Efficacy | 99.3 |
| Mounting | Pendant |
| Spacing Criterion | 0.4 |
| Beam Angle (FWHM) | 29 |

ZONAL LUMEN SUMMARY

| Zone | Lumens | % Luminaire |
|-------|--------|-------------|
| 0-40 | 2208 | 98.6 |
| 0-60 | 2237 | 99.9 |
| 0-90 | 2238 | 100.0 |
| 0-180 | 2238 | 100.0 |

POLAR GRAPH



CANDELA DISTRIBUTION

| Degree | Candela |
|--------|---------|
| 0 | 6877 |
| 5 | 6035 |
| 15 | 3284 |
| 25 | 1313 |
| 35 | 260 |
| 45 | 26 |
| 55 | 3 |
| 65 | 1 |
| 75 | 0 |
| 85 | 0 |
| 90 | 0 |

LUMINANCE DATA*

| Vertical Angle | Average |
|----------------|---------|
| 45° | 4535 |
| 55° | 645 |
| 65° | 292 |
| 75° | 0 |
| 85° | 0 |

*Candela/Square Meter

LTC-4RD-P-20L35K8MD-DM1-S-BL

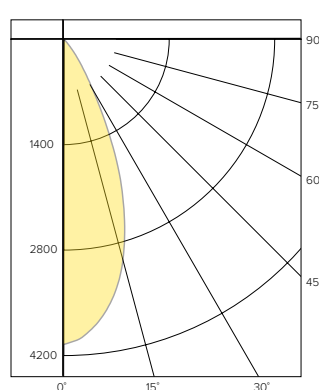
LUMINAIRE DATA

| | |
|-------------------|--------------------------------|
| Test No. | R19.00533-01 |
| Description | 2000 lm, Medium, 3500K, 80 CRI |
| Delivered Lumens | 2152 |
| Watts | 22.5W |
| Efficacy | 95.6 |
| Mounting | Pendant |
| Spacing Criterion | 0.7 |
| Beam Angle (FWHM) | 44 |

ZONAL LUMEN SUMMARY

| Zone | Lumens | % Luminaire |
|-------|--------|-------------|
| 0-40 | 2113 | 98.2 |
| 0-60 | 2151 | 99.9 |
| 0-90 | 2152 | 100.0 |
| 0-180 | 2152 | 100.0 |

POLAR GRAPH



CANDELA DISTRIBUTION

| Degree | Candela |
|--------|---------|
| 0 | 4053 |
| 5 | 3893 |
| 15 | 3037 |
| 25 | 1493 |
| 35 | 366 |
| 45 | 34 |
| 55 | 3 |
| 65 | 1 |
| 75 | 0 |
| 85 | 0 |
| 90 | 0 |

LUMINANCE DATA*

| Vertical Angle | Average |
|----------------|---------|
| 45° | 5931 |
| 55° | 645 |
| 65° | 292 |
| 75° | 0 |
| 85° | 0 |

*Candela/Square Meter

LTC-4RDW

LITEISTRY 4" ROUND CYLINDER

PHOTOMETRY CONTINUED

LTC-4RD-P-20L35K8WD-DM1-S-BL

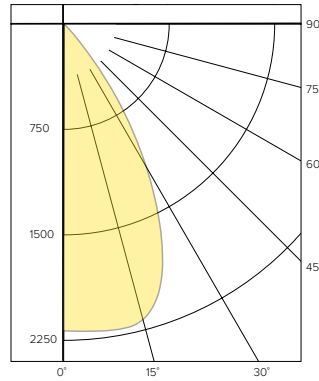
LUMINAIRE DATA

| | |
|-------------------|------------------------------|
| Test No. | R19.00534-01 |
| Description | 2000 lm, Wide, 3500K, 80 CRI |
| Delivered Lumens | 2059 |
| Watts | 22.5W |
| Efficacy | 91.6 |
| Mounting | Pendant |
| Spacing Criterion | 0.9 |
| Beam Angle (FWHM) | 61 |

ZONAL LUMEN SUMMARY

| Zone | Lumens | % Luminaire |
|-------|--------|-------------|
| 0-40 | 1983 | 96.3 |
| 0-60 | 2056 | 99.8 |
| 0-90 | 2059 | 100.0 |
| 0-180 | 2059 | 100.0 |

POLAR GRAPH



CANDELA DISTRIBUTION

| Degree | Candela |
|--------|---------|
| 0 | 2201 |
| 5 | 2210 |
| 15 | 2051 |
| 25 | 1504 |
| 35 | 692 |
| 45 | 169 |
| 55 | 10 |
| 65 | 3 |
| 75 | 1 |
| 85 | 0 |
| 90 | 0 |

LUMINANCE DATA*

| Vertical Angle | Average |
|----------------|---------|
| 45° | 11338 |
| 55° | 1075 |
| 65° | 584 |
| 75° | 477 |
| 85° | 0 |

*Candela/Square Meter

LTC-4RD-P-20L35K8XW-DM1-S-BL

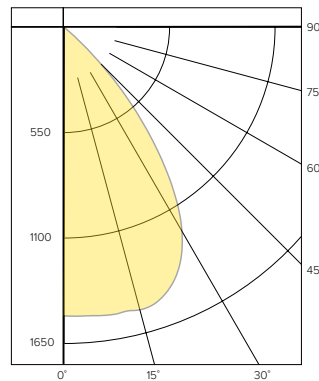
LUMINAIRE DATA

| | |
|-------------------|------------------------------------|
| Test No. | R19.00535-01 |
| Description | 2000 lm, Extra Wide, 3500K, 80 CRI |
| Delivered Lumens | 2028 |
| Watts | 22.5W |
| Efficacy | 90.2 |
| Mounting | Pendant |
| Spacing Criterion | 1.2 |
| Beam Angle (FWHM) | 78 |

ZONAL LUMEN SUMMARY

| Zone | Lumens | % Luminaire |
|-------|--------|-------------|
| 0-40 | 1794 | 88.5 |
| 0-60 | 2025 | 99.8 |
| 0-90 | 2028 | 100.0 |
| 0-180 | 2028 | 100.0 |

POLAR GRAPH



CANDELA DISTRIBUTION

| Degree | Candela |
|--------|---------|
| 0 | 1235 |
| 5 | 1252 |
| 15 | 1392 |
| 25 | 1454 |
| 35 | 1010 |
| 45 | 256 |
| 55 | 6 |
| 65 | 2 |
| 75 | 1 |
| 85 | 0 |
| 90 | 0 |

LUMINANCE DATA*

| Vertical Angle | Average |
|----------------|---------|
| 45° | 44656 |
| 55° | 1290 |
| 65° | 584 |
| 75° | 231 |
| 85° | 477 |

*Candela/Square Meter

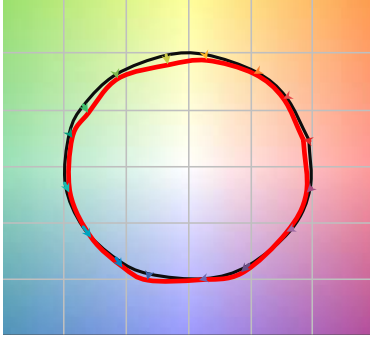
LUMEN MULTIPLIER

| Option | 27K8 | 30K8 | 35K8 | 40K8 | 50K8 | 27K9 | 30K9 | 35K9 | 40K9 |
|------------|------|------|------|------|------|------|------|------|------|
| Multiplier | 0.94 | 0.98 | 1.00 | 1.01 | 1.02 | 0.81 | 0.84 | 0.85 | 0.85 |

Photometrics are published below at a nominal 3500 Kelvin, 80+ CRI. This table may be used to approximate the lumen values at different Kelvin temperatures. Power consumption would stay the same.

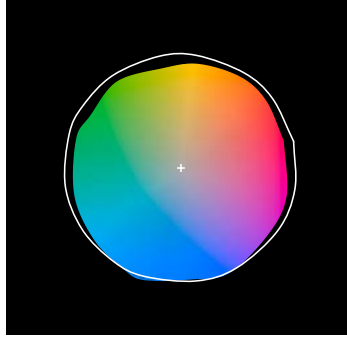
TM-30 DATA

COLOR VECTOR GRAPHIC
3500K, 90 CRI



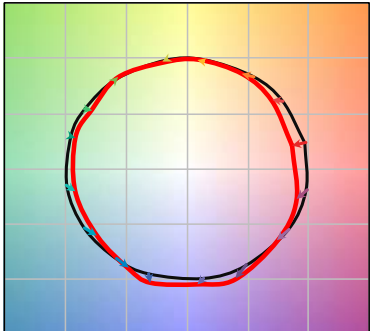
— Reference Illuminant — Test Source

COLOR DISTORTION GRAPHIC
3500K, 90 CRI



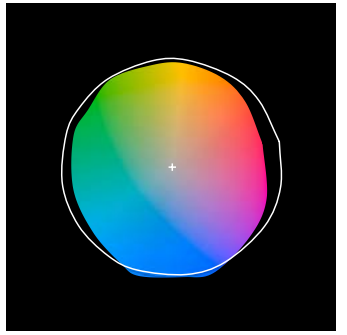
| TEST RESULTS - 3500K | | |
|----------------------|---------|---------|
| Value | 80+ CRI | 90+ CRI |
| R_t | 84 | 88 |
| R_g | 95 | 95 |
| CCT (K) | 3411 | 3419 |
| D_{uv} | 0.0015 | 0.0042 |
| x | 0.4120 | 0.4147 |
| y | 0.3974 | 0.4052 |
| CIE R_a | 84 | 93 |
| CIE R_g | 11 | 62 |

COLOR VECTOR GRAPHIC
3500K, 80 CRI



— Reference Illuminant — Test Source

COLOR DISTORTION GRAPHIC
3500K, 80 CRI





LTC-4RDW

LITEISTRY 4" ROUND CYLINDER

DATE: _____ LOCATION: _____

TYPE: _____ PROJECT: _____

CATALOG #: _____

ELECTRICAL DATA

| DRIVER DATA | | |
|------------------------------------|-----------|----------|
| Input Voltage | 120-277 V | 347 V |
| Input Frequency | 50/60 Hz | 50/60 Hz |
| Power Factor | ≥0.90 | ≥0.90 |
| THD | <20% | <20% |
| EMI Filtering (FCC 47 CFR Part 15) | Class A | Class A |

* Values for DM1 option shown, values for other dimming options may vary.

| WATTAGE DATA | | |
|--------------|----------------|---------|
| Lumen Output | Nominal Lumens | Wattage |
| 06L | 600 | 8 |
| 10L | 1000 | 12 |
| 15L | 1500 | 19 |
| 20L | 2000 | 23 |
| 25L | 2500 | 28 |
| 30L | 3000 | 35 |
| 35L | 3500 | 43 |
| 40L | 4000 | 52 |

* Wattage may vary based on configuration and options selected

ADDITIONAL INFORMATION

| DIMMING COMPATIBILITY CHART | | |
|-----------------------------|---|---|
| Dimming Driver | Manufacturer | Web Link |
| DM1 /DM01 | Lutron DVTV | http://bit.ly/11jSvZg |
| DM1 | Leviton AWRMG-7xx, AWSMG-7xx, AWSMT-7xx | http://bit.ly/1BjN2R9 |
| EDM | Lutron | http://bit.ly/1vtjHAI |
| 2DM | Lutron | http://bit.ly/1S4WjXK |

DMX

See instruction sheet on www.prescolite.com for connection & installation information.

Central Inverters

For full fixture output in back-up mode, we recommend you visit www.dual-lite.com for your Central Lighting Inverter options. Please contact your local Hubbell representative for any assistance with proper sizing and loading of your inverter selection. Central lighting inverters must be ordered separately.

LiteGear: www.dual-lite.com/products/litegear_lg_series

LPS Series: www.dual-lite.com/products/lps

ENERGY STAR® Certified Models

For a list of certified models, click on the ENERGY STAR® MODELS link or visit www.energystar.gov.