

ENGINE STARTER SOLENOID

Type 1804

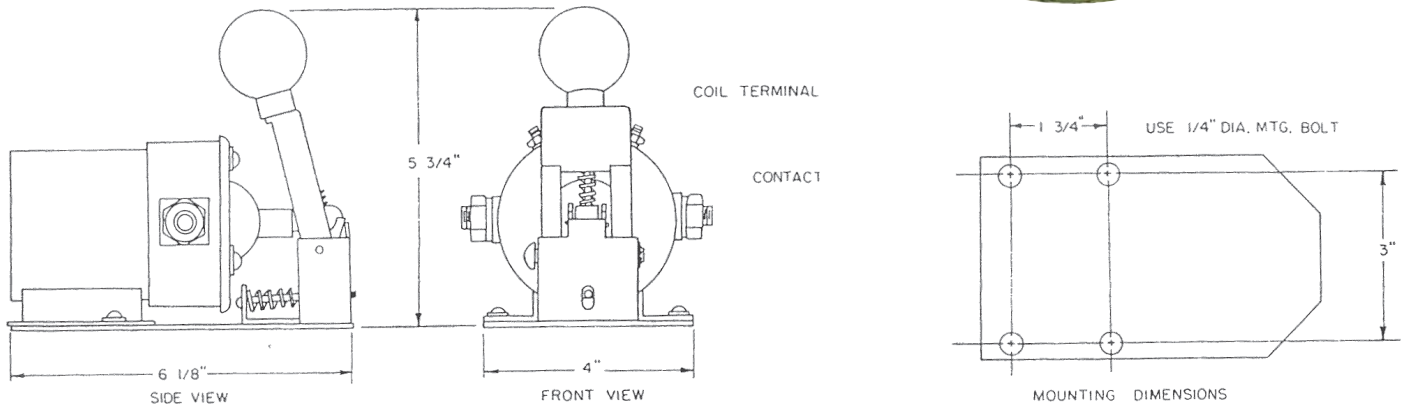
These high power rated starter solenoids are available with or without an emergency start lever with either 12 or 24V DC coils.

SPECIFICATIONS

- Maximum coil current: 12v units=10A max; 24v units=6A max
- Contact voltage: 30v DC (All models)
- Contact rolling current: 500A DC
- Contact breakaway current: 900A DC

APPROVALS

- FM Approved
- UL Listed



MODEL NUMBERS

MODEL	Description
1804A-12	12V DC coil with emergency start lever
1804A-24	24V DC coil with emergency start lever



Metron Eledyne | Sales: +44 (0) 1283 500 500 | Service: +44 (0) 1283 493215
 General Inquiries: +44 (0) 1283 500 500 | www.hubbell.com/metron/en/metron-eledyne

Hubbell Industrial Controls, Inc. | Metron Fire Pump Control Division
 4301 Cheyenne Dr., Archdale, NC 27263
 Phone: 336-434-2800 | Fax: 336-434-2809
 Email: salesmail@metroninc.com
www.hubbell.com/metron

©2021 Hubbell Incorporated. Because Hubbell has a policy of continuous product improvement, we reserve the right to change design and specifications without notice.

DS_SOLENOID Ver 1.3 Rev. 9/2021