

MET30

METROPOLIS LUMINAIRE

FEATURES

- High performance precision optics
- Three unique shade options
- Die cast aluminum two-piece housing with a polycarbonate lens
- 20kA surge protection standard



CONTROL TECHNOLOGY



SPECIFICATIONS

CONSTRUCTION

- All cast aluminum parts are low copper alloy A356. All extruded aluminum parts are alloy 6061-T6, 6063-T5 or equal
- Fasteners are corrosion resistant. When tamper resistant fasteners are required, spanner HD (snake eye) style is provided (special tool required, available at additional cost)
- IFS polyester powder-coat electrostatically applied and thermocured
- IFS finish consists of a five stage pretreatment regimen with a polymer primer sealer and top coated with a thermoset super TGIC polyester powder coat finish
- The finish meets the AAMA 2604 performance specification which includes passing a 3000 hour salt spray test for corrosion resistance and resists cracking or loss of adhesion per ASTM D522 and resists surface impacts of up to 160 inch-pounds
- For Pendant Mounting, a 2CC coupling is needed. This would be included with the order for the arm

ELECTRICAL

- Luminaire accepts 100V through 277V, or 347V or 480V input, 50 Hz to 60 Hz (UNV)
- Power factor is $\geq .90$ at full load
- Dimming drivers are standard, but must contact factory to request wiring leads for purpose of external dimming controls
- Component-to-component wiring within the luminaire may carry no more than 80% of rated load and is listed by UL for use at 600 VAC at 50°C or higher
- Plug disconnects are listed by UL for use at 600 VAC, 13A or higher. 13A rating applies to primary (AC) side only
- Surge protection -20kA
- Operates normally in temperatures from -25°C to 40°C



RELATED PRODUCTS

- [Pierwalk](#)
- [Urban](#)

CONTROLS

- Available with Energeni for optional set dimming, timed dimming with simple delay, or timed dimming based on time of night
- Specified with SiteSync™ wireless control system for reduction in energy and maintenance cost while optimizing light quality 24/7

CERTIFICATIONS

- The luminaire bears an NRTL label and be marked suitable for wet locations
- CSA labelled suitable for wet locations (standard)
- Listed to UL

WARRANTY

- 5 year warranty
- See [HLI Standard Warranty](#) for additional information

| KEY DATA | |
|-----------------------|--------------|
| Lumen Range | 4,100–11,700 |
| Wattage Range | 27–136 |
| Efficacy Range (LPW) | 74–109 |
| Reported Life (Hours) | L70>470,000 |
| Weight lbs. (kg) | 50 (22.68) |

| | |
|------------|-----------|
| DATE: | LOCATION: |
| TYPE: | PROJECT: |
| CATALOG #: | |

ORDERING GUIDE

Example: MET30-PC-24L-27-3K7-UNV-FR-SHA-GENI-04-PEC-120-BLT

CATALOG #

| MET30 | | | | | |
|-----------------------------|---|--|--|---|---|
| Series | Lens Option | Engine-Watts | CCT/CRI | Voltage | Optics |
| MET30 Metropolis 30* | PC Polycarbonate, Clear NL No lens | 24L-27 27 Watts - LED array 24L-55 55 Watts - LED array 36L-80 80 Watts - LED array 48L-110 110 Watts - LED array 60L-136 136 Watts - LED array | 3K7 3000K, 70 CRI 4K7 4000K, 70 CRI 5K7 5000K, 70 CRI | UNV 120-277V 347 347V 480 480V | FR Type I 2 Type II 3 Type III 4 Type IV 4W Type IV, Wide 5R Type V, Rectangular SQM Type V, Square medium 5W Type V, Round wide |

| Style Options | Control Options | Electrical Options | Color |
|---|--|--|---|
| SHA Spun aluminum shade DPF Decorative finial for twist-lock photocell DEF Decorative finial | GENI-XX Energeni ¹ SWP SiteSync Wireless Pre-Commission ^{2,3} | PEC-120 Button, 120V PEC-208 Button, 208V PEC-240 Button, 240V PEC-277 Button, 277V | BLT Black Matte Textured BLS Black Gloss Smooth DBT Dark Bronze Matte Textured DBS Dark Bronze Gloss Smooth GTT Graphite Matte Textured LGS Light Grey Gloss Smooth PSS Platinum Silver Smooth WHT White Matte Textured WHS White Gloss Smooth VGT Verde Green Texture |
| | | | Color Option |
| | | | CC Custom color |

Notes

- 1 When ordering Energeni, specify the routine setting code (example GENI-04). See Energeni brochure and instructions for setting table and options. Not available with sensor options
- 2 Must specify group and zone information at time of order. See www.hubbell-automation.com/products/sitesync/ for further details
- 3 Not available with other control or sensor options

Accessories

- SWUSB**¹ SiteSync interface software loaded on USB flash drive for use with owner supplied PC (Windows based only). Includes SiteSync license, software and USB radio bridge node¹¹
- SWTAB**¹ Windows tablet and SiteSync interface software. Includes tablet with preloaded software, SiteSync license and USB radio bridge node¹¹
- SWBRG**¹ SiteSync USB radio bridge node only. Order if a replacement is required or if an extra bridge node is requested¹²

* When ordering with SiteSync, either the SWTAB or the SWUSB option must be chosen and ordered separately. Each option contains the SiteSync License, GUI and Bridge Node

+ If needed, an additional Bridge Node can be ordered

MET30

METROPOLIS LUMINAIRE

| | |
|------------|-----------|
| DATE: | LOCATION: |
| TYPE: | PROJECT: |
| CATALOG #: | |

CONTROLS

SiteSync — Precommissioned Ordering Information:

When ordering a fixture with the SiteSync lighting control option, additional information will be required to complete the order. The SiteSync Commissioning Form or alternate schedule information must be completed. This form includes Project location, Group information, and Operating schedules. For more detailed information please visit [the SiteSync family page on our website](#) or contact Hubbell Lighting tech support at 864.678.1000.



Examples: MET30-24L-55-4K7-5W-UNV-SWP-WHT

PERFORMANCE DATA

MET30 PC LENS

| # LED'S | Drive Current | System Watts | Distribution Type | 5K (5000K nominal, 70CRI) | | | | | 4K (4000K nominal, 70CRI) | | | | | 3K (3000K nominal, 70CRI) | | | | |
|---------|---------------|--------------|-------------------|------------------------------|------------------|---|---|---|------------------------------|------------------|---|---|---|------------------------------|------------------|---|---|---|
| | | | | Lumens | LPW ¹ | B | U | G | Lumens | LPW ¹ | B | U | G | Lumens | LPW ¹ | B | U | G |
| 24 | 700mA | 55 | 2 | 4570 | 83 | 1 | 2 | 1 | 4663 | 85 | 1 | 2 | 1 | 4150 | 74 | 1 | 2 | 1 |
| | | | 3 | 5071 | 92 | 1 | 1 | 2 | 5175 | 94 | 1 | 1 | 2 | 4605 | 84 | 1 | 1 | 2 |
| | | | 4 | 4667 | 85 | 1 | 2 | 2 | 4763 | 87 | 1 | 2 | 2 | 4239 | 77 | 1 | 2 | 1 |
| | | | 5W | 4806 | 87 | 3 | 2 | 1 | 4904 | 89 | 3 | 2 | 1 | 4365 | 79 | 3 | 2 | 1 |
| 36 | 700mA | 80 | 2 | 6854 | 83 | 2 | 2 | 2 | 6994 | 85 | 2 | 2 | 2 | 6225 | 78 | 2 | 2 | 2 |
| | | | 3 | 7607 | 92 | 2 | 1 | 3 | 7762 | 94 | 2 | 1 | 3 | 6908 | 86 | 2 | 1 | 3 |
| | | | 4 | 7001 | 85 | 1 | 2 | 2 | 7144 | 86 | 1 | 2 | 2 | 6358 | 79 | 1 | 2 | 2 |
| | | | 5W | 7209 | 87 | 3 | 2 | 2 | 7356 | 89 | 3 | 2 | 2 | 6547 | 82 | 3 | 2 | 1 |
| 48 | 700mA | 110 | 2 | 9139 | 83 | 2 | 3 | 2 | 9326 | 85 | 2 | 3 | 2 | 8300 | 75 | 2 | 3 | 2 |
| | | | 3 | 10142 | 92 | 2 | 1 | 3 | 10349 | 94 | 2 | 1 | 3 | 9211 | 84 | 2 | 1 | 3 |
| | | | 4 | 9335 | 85 | 1 | 2 | 2 | 9525 | 86 | 1 | 2 | 2 | 8478 | 77 | 1 | 2 | 2 |
| | | | 5W | 9612 | 87 | 4 | 2 | 2 | 9808 | 89 | 4 | 2 | 2 | 8729 | 79 | 3 | 2 | 2 |
| 60 | 700mA | 136 | 2 | 11424 | 83 | 2 | 3 | 3 | 11657 | 85 | 2 | 3 | 3 | 10375 | 75 | 2 | 3 | 2 |
| | | | 3 | 12678 | 82 | 3 | 1 | 3 | 12937 | 94 | 3 | 1 | 3 | 11514 | 84 | 2 | 1 | 3 |
| | | | 4 | 11669 | 85 | 2 | 2 | 3 | 11907 | 87 | 2 | 3 | 3 | 10597 | 77 | 1 | 2 | 2 |
| | | | 5W | 12138 | 88 | 4 | 3 | 2 | 12607 | 89 | 4 | 3 | 2 | 10912 | 79 | 4 | 3 | 2 |

¹ Lumen values are from photometric tests performed in accordance with IESNA LM-79-08. Data is considered to be representative of the configurations shown. Actual performance may differ as a result of end-user environment and application

PERFORMANCE DATA (CONTINUED)

MET30 NO LENS

| # LED'S | Drive Current | System Watts | Distribution Type | 5K (5000K nominal, 70CRI) | | | | | 4K (4000K nominal, 70CRI) | | | | | 3K (3000K nominal, 70CRI) | | | | |
|---------|---------------|--------------|-------------------|------------------------------|------------------|---|---|---|------------------------------|------------------|---|---|---|------------------------------|------------------|---|---|---|
| | | | | Lumens | LPW ¹ | B | U | G | Lumens | LPW ¹ | B | U | G | Lumens | LPW ¹ | B | U | G |
| 24 | 700mA | 55 | 2 | 5368 | 98 | 1 | 2 | 2 | 5422 | 99 | 1 | 2 | 2 | 4455 | 81 | 1 | 2 | 1 |
| | | | 3 | 5958 | 108 | 1 | 1 | 2 | 6017 | 109 | 1 | 1 | 2 | 4945 | 90 | 1 | 1 | 2 |
| | | | 4 | 5483 | 100 | 1 | 2 | 2 | 5538 | 101 | 1 | 2 | 2 | 4551 | 83 | 1 | 2 | 2 |
| | | | 5W | 5646 | 103 | 3 | 2 | 1 | 5703 | 104 | 3 | 2 | 1 | 4686 | 85 | 3 | 2 | 1 |
| 36 | 700mA | 80 | 2 | 8052 | 97 | 2 | 3 | 2 | 8132 | 98 | 2 | 3 | 2 | 7852 | 95 | 2 | 0 | 3 |
| | | | 3 | 8936 | 108 | 2 | 1 | 3 | 9026 | 109 | 2 | 1 | 3 | 7772 | 94 | 2 | 0 | 3 |
| | | | 4 | 8225 | 99 | 1 | 2 | 2 | 8307 | 100 | 1 | 2 | 2 | 8552 | 103 | 1 | 0 | 3 |
| | | | 5W | 8469 | 102 | 3 | 2 | 2 | 8554 | 103 | 3 | 2 | 2 | 8435 | 102 | 3 | 0 | 2 |
| 48 | 700mA | 110 | 2 | 10736 | 97 | 2 | 3 | 2 | 10843 | 98 | 2 | 3 | 2 | 8911 | 81 | 2 | 3 | 2 |
| | | | 3 | 11915 | 108 | 2 | 1 | 3 | 12034 | 109 | 2 | 1 | 3 | 9890 | 90 | 2 | 1 | 3 |
| | | | 4 | 10966 | 99 | 2 | 2 | 3 | 11076 | 100 | 2 | 2 | 3 | 9102 | 82 | 1 | 2 | 2 |
| | | | 5W | 11292 | 102 | 4 | 3 | 2 | 11405 | 103 | 4 | 3 | 2 | 9372 | 85 | 3 | 2 | 2 |
| 60 | 700mA | 136 | 2 | 13420 | 97 | 3 | 3 | 3 | 13554 | 98 | 3 | 3 | 3 | 11139 | 81 | 2 | 3 | 2 |
| | | | 3 | 14874 | 108 | 3 | 1 | 4 | 15043 | 109 | 3 | 1 | 4 | 12362 | 90 | 2 | 1 | 3 |
| | | | 4 | 13708 | 100 | 2 | 3 | 3 | 13845 | 101 | 2 | 3 | 3 | 11378 | 83 | 2 | 2 | 3 |
| | | | 5W | 14115 | 102 | 4 | 3 | 2 | 14257 | 103 | 4 | 3 | 2 | 11716 | 85 | 4 | 3 | 2 |

¹ Lumen values are from photometric tests performed in accordance with IESNA LM-79-08. Data is considered to be representative of the configurations shown. Actual performance may differ as a result of end-user environment and application

ELECTRICAL DATA

| # of LEDs | Number of Drivers | Drive Current | Input Voltage (V) | System Power (Watts) | Current(A) |
|-----------|-------------------|---------------|-------------------|----------------------|------------|
| 24 | 2 | 700 mA | 120 | 55 | 0.55 |
| | | | 277 | | 0.24 |
| | | | 347 | | 0.19 |
| | | | 480 | | 0.14 |
| 36 | 1 | 700 mA | 120 | 80 | 0.80 |
| | | | 277 | | 0.35 |
| | | | 347 | | 0.28 |
| | | | 480 | | 0.20 |
| 48 | 1 | 700 mA | 120 | 110 | 1.10 |
| | | | 277 | | 0.48 |
| | | | 347 | | 0.38 |
| | | | 480 | | 0.28 |
| 60 | 1 | 700 mA | 120 | 136 | 1.36 |
| | | | 277 | | 0.59 |
| | | | 347 | | 0.47 |
| | | | 480 | | 0.34 |

LUMINAIRE AMBIENT TEMPERATURE FACTOR (LATF)

| Ambient Temperature | | Lumen Multiplier |
|---------------------|-------|------------------|
| 0°C | 32°F | 1.02 |
| 10°C | 50°F | 1.01 |
| 20°C | 68°F | 1.00 |
| 25°C | 77°F | 1.00 |
| 30°C | 86°F | 0.98 |
| 40°C | 104°F | 0.98 |

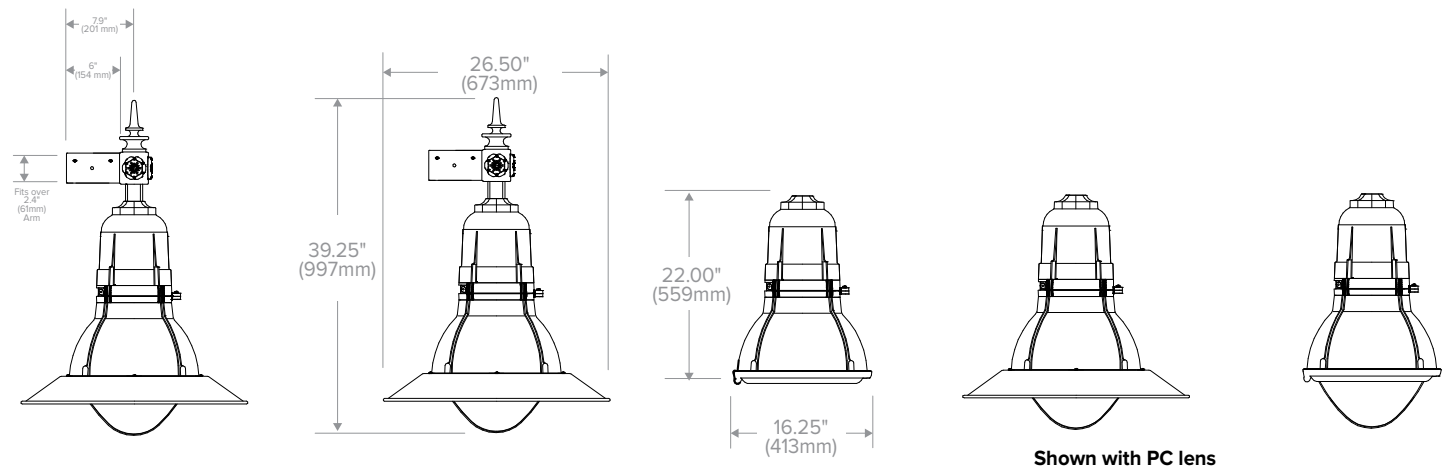
Use these factors to determine relative lumen output for average ambient temperatures from 0-50°C (32-122°F)

PROJECTED LUMEN MAINTENANCE

| Ambient Temp. | 0 | 25,000 | 50,000 | TM-21-11 60,000 ¹ | 100,000 | Calculated L70 (Hours) |
|---------------|------|--------|--------|---------------------------------|---------|------------------------|
| 25°C / 77°C | 1.00 | 0.97 | 0.95 | 0.95 | 0.92 | >470,000 |

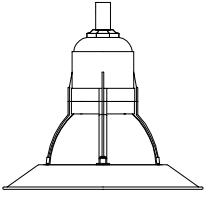
¹ Projected per IESNA TM-21-11
Data references the extrapolated performance projections for the base model in a 40°C ambient, based on 10,000 hours of LED testing per IESNA LM-80-08

DIMENSIONS

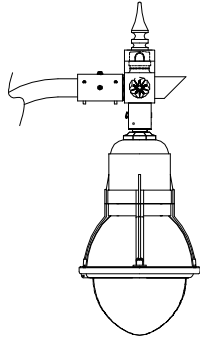


ADDITIONAL INFORMATION

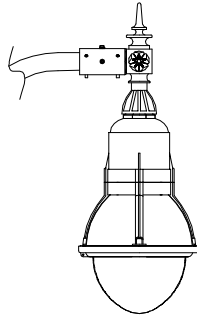
STYLE OPTIONS



Spun Aluminum Shade (SHA)



**Decorative Finial for
Twistlock photocell (DPF)**



Decorative Finial (DEF)