

DATE: _____ LOCATION: _____
 TYPE: _____ PROJECT: _____
 CATALOG #: _____

MARSHAL LED TWIN

MOTION SENSOR KIT

FEATURES

- Attractive security floodlight improves safety and replaces bulky outdated fixtures
- Powerful LED system saves energy and maintenance over traditional lighting sources
- Includes adjustable settings for time, sensitivity, and distance
- Aimable PIR occupancy sensor has 180° coverage, perfect for outdoor applications
- CSA listed to UL1598 for use in wet locations

tradeSELECT®



RELATED PRODUCTS

- [Ratio Family](#) [FSL Factor](#) [Colt Flood](#)



SPECIFICATIONS

CONSTRUCTION

- Die cast aluminum heads and mounting plate
- Mounting plate has 1/2" threaded hubs
- Tempered glass lenses
- UV resistant occupancy sensor
- 2 adjustable 1000 lumen LED heads
- Available in Dark Bronze or White finish

OPTICS

- Replaces twin 150w incandescent lamps
- Each floodlight head has a 6x6 distribution

INSTALLATION

- Mounts to 4" junction box and includes a gasket to seal electrical connections

INSTALLATION (CONTINUED)

- Easy 4 step installation and wiring
- Two 1/2" threaded conduit hubs for surface conduit provided

ELECTRICAL

- 120V/60Hz LED

CONTROLS

- Adjustable PIR occupancy sensor
- PIR occupancy sensor has 180 degree coverage
- Programmable settings include time, sensitivity, distance

CERTIFICATIONS

- CSA listed to UL1598 for use in wet locations
- Heads NEMA 3R

WARRANTY

- 5 year warranty
- See [HLI Standard Warranty](#) for additional information

KEY DATA	
Lumen Range	2104
Wattage Range	26.6W
Efficacy Range (LPW)	79
Fixture Projected Life (Hours)	L70>125K
Weights lbs. (kg)	2.2 (1)

STOCK ORDERING INFORMATION

Catalog Number	Mount	Color	Beam Pattern	Wattage	Voltage	CCT/CRI	Lumens	LPW	Weight lbs. (kg)
ML-2L3K-1-DB	Ceiling/Wall	Dark Bronze	General	26.6w	120V	3000K/83	2104	79	2.2 (1)
ML-2L3K-1-WH	Ceiling/Wall	White	General	26.6w	120V	3000K/83	2104	79	2.2 (1)

ACCESSORIES

Accessories		
<input type="checkbox"/>	MS-DB	.5" threaded, Dark bronze, Occupancy sensor only, 180° and adjustable settings
<input type="checkbox"/>	MS-WH	.5" threaded, White, Occupancy sensor only, 180° and adjustable settings



MS-DB

MS-WH

MARSHAL LED TWIN

MOTION SENSOR KIT

PERFORMANCE DATA

# of LEDs	Drive Current	System Watts	3K (3000K nominal, 80 CRI)	
			Lumens	LPW ¹
2	0.22	26.6	2090	80.2

¹ Lumen values are from photometric tests performed in accordance with IESNA LM-79-08. Data is considered to be representative of the configurations shown. Actual performance may differ as a result of end-user environment and application

ELECTRICAL DATA

# OF LEDS	Drive Current (mA)	Input Voltage (V)	Oper. Current (Amps)	System Power (Watts)
2	0.22	120	0.994	26.6

PROJECTED LUMEN MAINTENANCE

Ambient Temp.	Operating Hours					L70 (hours)
	0	25,000	TM-21-111 L90 36,000	50,000	100,000	
25°C / 77°F	1.00	0.93	0.90	0.86	0.75	> 125,000
40°C / 104°F	0.99	0.90	0.86	0.81	0.67	> 88,000

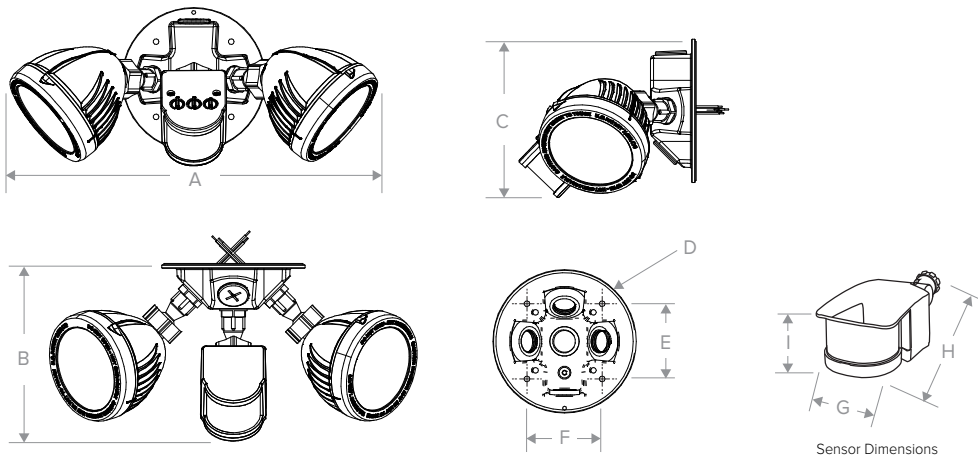
¹ Projected per IESNA TM-21-11 (*Cree XP-L, 2100A, 105°C Ts, 6,000hrs)

LUMINAIRE AMBIENT TEMPERATURE FACTOR (LATF)

AMBIENT TEMPERATURE		LUMEN MULTIPLIER
0° C	32° F	1.06
10° C	50° F	1.03
20° C	68° F	1.01
25° C	77° F	1.00
30° C	86° F	0.99
40° C	104° F	0.97
50° C	122° F	0.94

Use these factors to determine relative lumen output for average ambient temperatures from 0-40°C (32-104°F)

DIMENSIONS



A	B	C	D	E	F	Weight	G	H	I
12.75" 323 mm	6.5" 165 mm	5.00" 127 mm	4.81" 122 mm	2.52" 64 mm	2.52" 64 mm	2.2 lbs. 1 kg	0.25" 60 mm	6" 152 mm	0.25" 47 mm

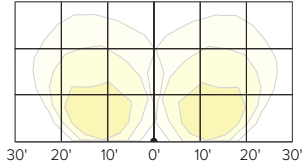
MARSHAL LED TWIN

MOTION SENSOR KIT

PHOTOMETRY

The following diagrams represent the general distribution options offered for this product. For detailed information on specific product configurations, see [website photometric test reports](#).

Marshal – Mounting Height: 10ft



ADDITIONAL INFORMATION

SENSOR ADJUSTMENTS



Includes adjustable settings and photo control

- Time
- Sensitivity
- Distance

SHIPPING INFORMATION

Catalog Number	G.W(kg)/CTN	Carton Dimensions		
		Length Inch (cm)	Width Inch (cm)	Height Inch (cm)
ML-2L	3.4 lbs (1.5)	10.75" (27.3)	7.75" (20.7)	6.5" (16.5)
MS	0.4 lbs (0.2)	2.38" (6.0)	2.13" (5.4)	5.88" (14.9)