



NXSMP-LMO



NXSMP-LMO-A

Project Name _____

Catalog No. _____ Date _____

The Hubbell Control Solutions NXSM Low Mount Sensor Module provides a unique solution for integrating automatic control functions directly into a luminaire. Mounted into a round opening in the fixture housing, the sensor module has a limited visual impact due to its compact size. The NXSMP-LMO houses a PIR motion sensor, a daylight sensor and a Bluetooth® radio allowing wireless configuration and programming using a free smart device App.

The NXSM Low Mount Sensor Module plugs into the SmartPORT™ on the NXFM In-Fixture Module forming a complete control system integral to the luminaire. System capabilities include On/Off switching, continuous dimming, daylight harvesting, and scheduling.

The NXSM Low Mount Sensor Module is the ideal solution for integrated fixture control in applications requiring a wide coverage pattern from low mounting heights.

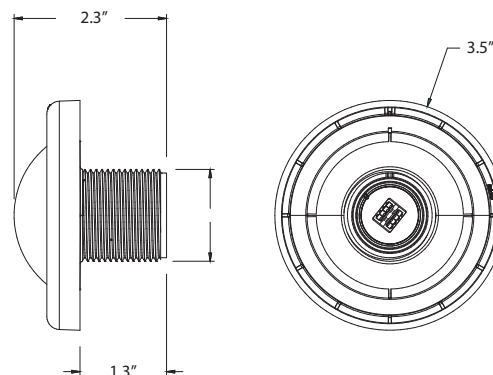
Product Features

- Compact, discrete, low profile luminaire sensor
- PIR motion sensor for automatic On/Off control
- Integrated daylight sensor for daylight harvesting and/or lumen maintenance
- Bluetooth radio provides wireless control of luminaire
- Easy sensor configuration using smart device app
- Enables Intelliscope™ feature when paired with NX Bluetooth mobile App, providing real time visibility of motion for improved accuracy of sensor sensitivity and time delay adjustments
- Non-volatile memory for sensor settings
- Simple plug-in connection to NX Fixture Modules
- Five-year limited warranty

Compliance and Certification



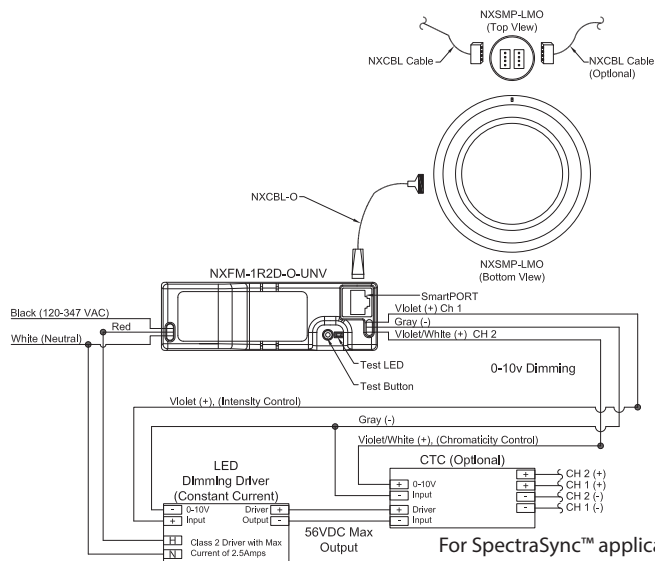
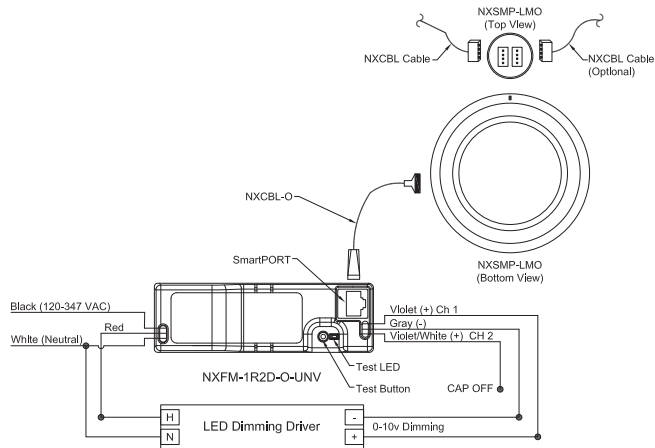
Dimensional Data



Ordering Information

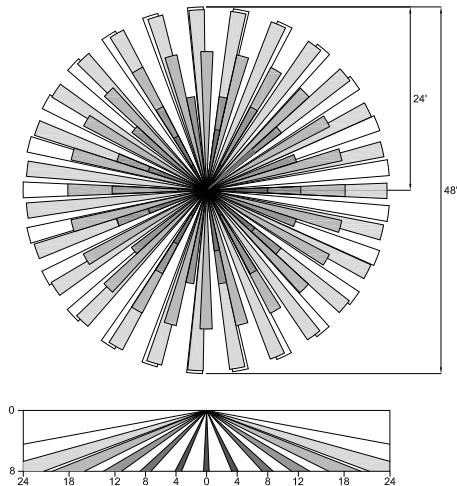
NXSM	P		
MODEL	TECHNOLOGY	SENSOR TYPE	COLOR
NXSM NX Sensor Module	P Passive Infrared	LMO Low Mount Indoor/Outdoor LMO-A Low Mount Indoor/Outdoor, Aisle Lens	Blank White BK Black GY Gray

Wiring Information



For SpectraSync™ applications, the highest CCT LED should be on CH1 and the lower CCT LED should be on CH2.

Coverage Pattern



Sensor Lens Coverage and Detection Patterns When Mounted at 8ft with Low Mount Lens

General Specifications

LED Indicators	Red-infrared motion
Timer Timeout	Automatic mode: 1 sec - 20 min
Test mode	Timeout can be set as low as 1 sec for ease of testing during installation
Passive Infrared (PIR)	Quad-element pyrometer
Coverage	1:3 (mounting height: coverage radius) up to 16' [4.87 m]
Power Requirements	12VDC, 30 mA supplied by NXFM or NXRC
Operating Environment	Operating Temperature: -40°F to 185°F [-40°C to 85°C] Relative humidity (non-condensing): 0 to 95% IP65 Rated Suitable for use in return air plenum
Standby Power (W)	120VAC: 0.1 277VAC: 0.1 347VAC: 0.2
Construction	ABS (UL-945 VA) flame class rating, UV inhibitors
Dimensions	External: 1.0" [25.4mm]H, 3.33" [84.6mm]D Internal Thread: 1.1" [27.94mm]L, 1.4" [35.6mm]D
Weight	4.0 oz [113.4g]
Color	White, Gray, Black
Mounting	Mounts in 1.5" diameter aperture, secured by supplied nut on threaded body Recommended max mounting height: 16' [4.87 m], min 8' [2.43 m]
Certifications	Bluetooth Version 4.1 FCC Part 15.247 FCC ID: YH9NXSMP IC: 9044A-NXSMP
Warranty	5-year limited

Default Settings

Occupancy Sensor	Enabled
Occupancy Sensor Sensitivity	7
Occupancy Sensor Timeout	15 Minutes
Dimming Level at Occupancy	100%
Dimming Level at Unoccupied	0% (minimum level)
Relay State at Occupancy	On
Relay State at Unoccupied	Off
Photocell	Disabled