

NEVIS

Ex d e LED Bulkhead

The **Nevis LED** delivers an instant bright white light equivalent to a 70W HPS. Designed for low profile applications, the luminaire can be mounted on walls, handrails and ceilings as a wellglass making it ideal for walkways or restricted height areas.

A side mounted increased safety terminal chamber eliminates the need for barrier glands and allows for flush mounting with easy cable access. Its excellent temperature range of -50°C to +55°C makes it a global lighting solution providing high quality lighting at extreme temperatures.



Mounting Options

Ceiling. Wall. High Bay. Pole/Stanchion. Bulkhead. Wellglass.

Standard Specification

Nevis Ex d e LED Bulkhead

Type of Protection	Ex d e (Flameproof, Increased Safety) Ex tD (Dust Protected Enclosure)
ATEX Classification	Group II Category 2 GD
Area Classification	Zone 1 and Zone 21 areas to EN 60079-10-1 and EN 60079-10-2 with installation to EN 60079-14 Gas Groups IIA and IIB
Certificate	EC Type Examination Certificate Baseefa08ATEX0178 IECEX Certificate of Conformity IECEX BAS08.0054
Coding	Ex d e IIB T6 Ex tD A21 T80°C IP6X
Enclosure	Aluminium alloy LM6 to BS 1490 (AC44100). All fastenings A4 stainless steel. Toughened glass dome cover.
Entry	2 x M20 cable entries
Termination	3 core 6mm ² max. conductor with looping
Installation	Flush mounting bracket
Control Gear	Electronic Driver
Colour Temperature (CCT)	5650K (Cool White)
Colour Rendering Index (Ra)	>70
Maintenance	Access via hinged front glass cover assembly
Ingress Protection	IP66 to EN 60529
Surge Protection	4kV
Electrical Supply	100-277V AC 50/60 Hz 110-390V DC

Features

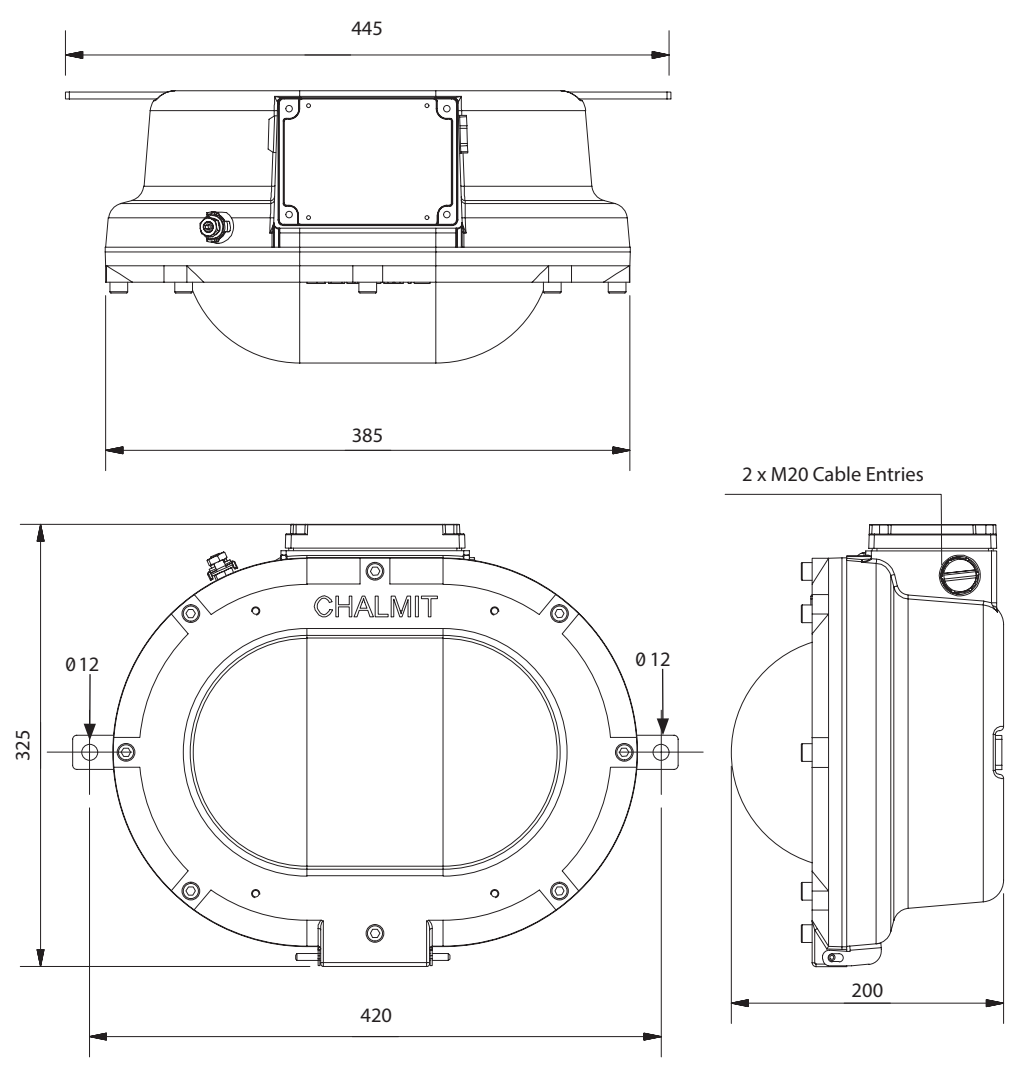
- ◆ Highly **Energy Efficient**
- ◆ **Compact** construction
- ◆ Installation to gas groups **IIA and IIB**
- ◆ **Lower power consumption** than HID lamps
- ◆ Low temperature applications **to -55°C**
- ◆ **100,000 maintenance free hours** at 25°C (L70)

Std. Cat No.	Delivered Output	Power Consumption	Tclass	T°C (Dust)	Ambient °C	Weight
NEVD/052/LE	4058 lm	48W	T6	80	-55 to +55	12.5kg

Options - Suffix to Catalogue No.			
/M25	M25 Cable entries	/P	Marine grade polyester paint coating (RAL 7043)
		/3-4NPT	3/4" NPT entries

Accessories *Accessories should be ordered separately*

	Order Code
Pole mounting bracket assembly (38-42mm diameter poles)	SNEV1-0001
Wire Guard	SNEV1-0002
Hand rail mounting bracket assembly	SNEV4-0003



CHDS-Nevis-Z1-V5 August 2021



Product design and specifications are subject to change without notice. Please check the Chalmit website for latest specifications.
www.chalmit.com

