



ONE PIECE, DROP OVER, HEATED ENCLOSURES:

SPECIFICATION:

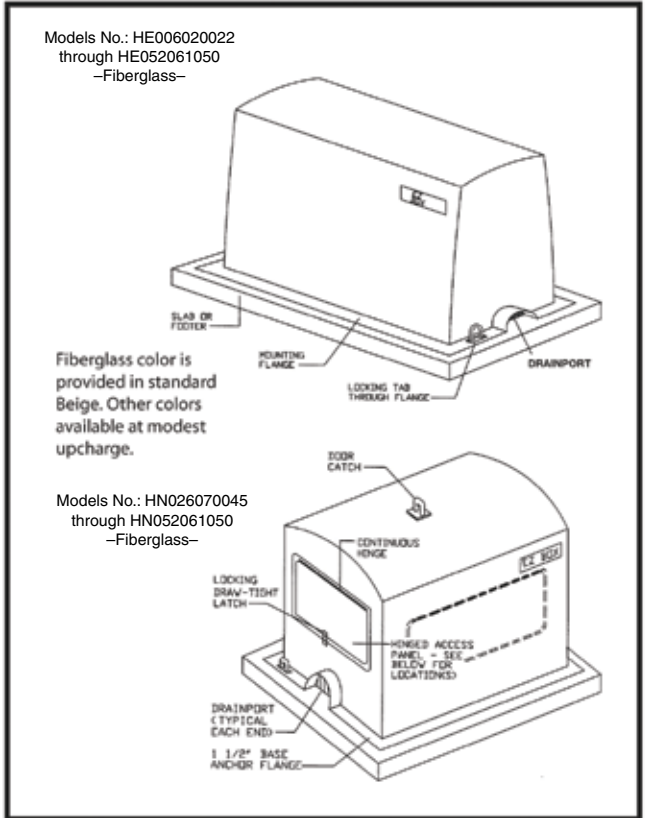
The enclosure, certified to ASSE 1060®, shall be of min. 1/8" tk. thixotropic polyester resin reinforced w/fiberglass strand. Exterior will be a smooth, yacht quality; finished w/UV inhibited isophthalic polyester gel coat, buffed to a smooth finish. Polyethylene enclosures shall consist of 1/8" tk. UV stabilized LMDPE low density hexene copolymer resin. Insulation shall be min. 1 1/2"tk. (R8), uni-cellular, non-wicking, polyisocyanate, frothed or sprayed in place (not glued or pinned). Enclosure shall utilize a lockable drop over design. Optional locking access panels are available for maintenance access w/o removal of the entire unit. Drains shall be sized for full port backflow discharge and designed for "one way" exit, inhibiting intrusion of debris and/or vermin. Enclosure shall be anchored to a concrete slab or GLASSPAD™ through the enclosure mounting flange w/steel anchors and require a padlock(s) for security purposes.

Heat will protect the piping and equipment from exterior temperatures to -30°F and be thermostatically controlled. UL or ETL listed self regulating cable(s) or wall or stand mounted air heater(s) will be sized to maintain the equipment at +40°F, in accordance with N.F.P.A. 3-3.1.8 & 3-6.1.3.2. Heat source and electrical supply shall be mounted a minimum of 7" above the slab unless it is UL or ETL certified and NEC approved for submersion. Power source shall be protected with a ground fault interrupting receptacle, U.L. 943, N.E.M.A.3R, installed by others inside the enclosure.

* Model's # HE026070045 through # HE052061050 without doors are not ASSE 1060 certified.

EZ Box w/Heat	Old EZ Box w/Heat	Inside Width	Inside Length	Inside Height	Heat	Shipping Weight	Pad Size	GLASS PAD	Old GLASS PAD
HE006020022	HEZ.75	6.5	20	22	30W	27#	32 x 16	GG026041005	GPEZ1
HE014027026	HEZ1	14	27	26	60W	40#	41 x 27	GG026041005	GPEZ1
HE012038028	HEZ2	12	38.5	28	90W	55#	52 x 26		N/A
HE013047028	HEZ2S	13	47	28	90W	70#	59 x 22		N/A
HE026070045	HEZ3	26	70	45	2-90W	230#	82 x 38		N/A
HE026083045	HEZ3S	26	83	45	1500	249#	95 x 38		N/A
HE035045035	HEZ3000	35	45	35	1000W	235#	57 x 47	GG046055005	GP3000
HE044053044	HEZ4000	44	53	44	1000W	300#	65 x 56	GG055063005	GP4000
HE052061050	HEZ5000	52	61	50	1500W	440#	74 x 64	GG063074005	GP5000
HE012017021500	HEZLV.75	12	17	21	30W	25#	29 x 24		N/A
HE014021024500	HEZLV1	14	21	24	30W	28#	33 x 26		N/A
HE012017021	HEZLV.75X	12	17	21	30W	18#	29 x 24		N/A
HE014021024	HEZLV1X	14	21	24	30W	21#	33 x 26		N/A
HP009024023	HPEZ1	09	24	23	60W	22#	34 x 17		N/A
HP011036026	HPEZ2	11	36	26	90W	35#	45 x 19		N/A
HN026070045	NCHEZ3	26	70	45	2-90W	230#	82 x 38		N/A
HN035045035	NCHEZ3000	35	45	35	1000W	235#	57 x 47	GG046055005	GP3000
HN044053044	NCHEZ4000	44	53	44	1000W	300#	65 x 56	GG055063005	GP4000
HN052061050	NCHEZ5000	52	61	50	1500W	440#	74 x 64	GG063074005	GP5000

OPTIONS:					
OPTION	TYPE	SIZE	PHASE	VOLTAGE	QUANTITY
COLOR					
VENT(S)					
EXHAUST					
ALARM					
ALARM					
HEAT					
OTHER					



Models No.: HE006020022 through HE052061050
 -Fiberglass-

Fiberglass color is provided in standard Beige. Other colors available at modest upcharge.

Models No.: HN026070045 through HN052061050
 -Fiberglass-



Job Name _____ Contractor _____
 Job Location _____ Approval _____ Date _____
 Engineer _____ Contractor's P.O. No. _____
 Approval _____ Date: _____ Representative _____

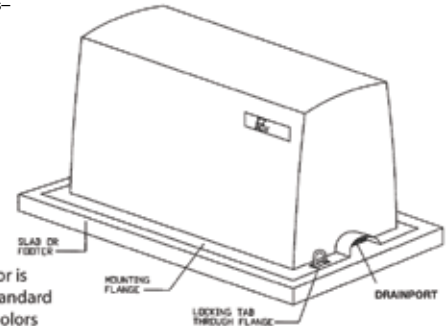


ONE PIECE, DROP OVER, UNHEATED ENCLOSURES:

SPECIFICATION:

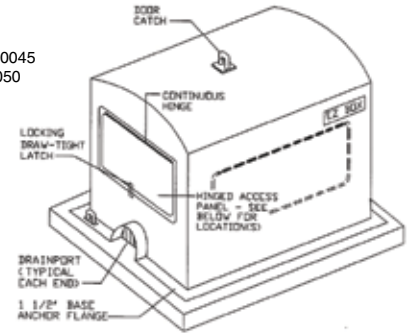
The enclosure, certified to ASSE 1060*, shall be of min. 1/8" tk. thixotropic polyester resin reinforced w/fiberglass strand. Exterior will be a smooth, yacht quality; finished w/UV inhibited isophthalic polyester gel coat, buffed to a smooth finish. Polyethylene enclosures shall consist of 1/8" tk. UV stabilized LMDPE low density hexene copolymer resin. Insulation shall be min. 1 1/2"tk. (R8), uni-cellular, non-wicking, polyisocyanate, frothed or sprayed in place (not glued or pinned). Enclosure shall utilize a lockable drop over design. Optional locking access panels are available for maintenance access w/o removal of the entire unit. Drains shall be sized for full port backflow discharge and designed for "one way" exit, inhibiting intrusion of debris and/or vermin. Enclosure shall be anchored to a concrete slab or GLASSPAD™ through the enclosure mounting flange w/steel anchors and require a padlock(s) for security purposes.

Models No.: LE006020022 through LE052061050
 -Fiberglass-



Fiberglass color is provided in standard Beige. Other colors available at modest upcharge.

Models No.: LN026070045 through LN052061050
 -Fiberglass-



* Model's # LE026070045 through # LE052061050 without doors are not ASSE 1060 certified.

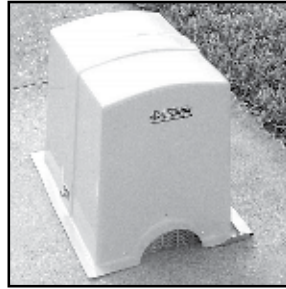
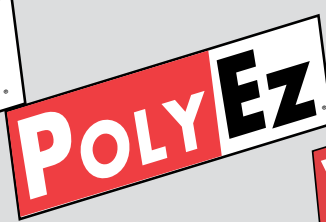
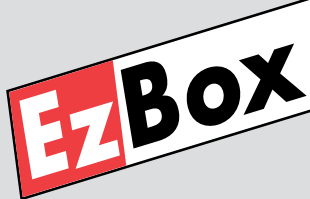
EZ Box w/No Heat	Old EZ Box w/No Heat	Inside Width	Inside Length	Inside Height	Shipping Weight	Pad Size	GLASS PAD	Old GLASS PAD
LE006020022	EZ.75	6.5	20	22	20#	32 x 16	GG026041005	GPEZ1
LE014027026	EZ1	14	27	26	40#	41 x 27	GG026041005	GPEZ1
LE012038028	EZ2	12	38.5	28	60#	52 x 26		N/A
LE013047028	EZ2S	13	47	28	70#	59 x 22		N/A
LE026070045	EZ3	26	70	45	275#	82 x 38		N/A
LE026083045	EZ3S	26	83	45	249#	95 x 38		N/A
LE035045035	EZ3000	35	45	35	250#	57 x 47	GG046055005	GP3000
LE044053044	EZ4000	44	53	44	280#	65 x 56	GG055063005	GP4000
LE052061050	EZ5000	52	62	50	440#	74 x 64	GG063074005	GP5000
LE012017021	EZLV.75	12	17	21	25#	29 x 24		N/A
LE014021024	EZLV1	14	21	24	28#	33 x 26		N/A
LE012017021	EZLV.75X	12	17	21	18#	29 x 24		N/A
LE014021024	EZLV1X	14	21	24	21#	33 x 26		N/A
LP009024023	PEZ1	09	24	23	22#	34 x 17		N/A
LP011036026	PEZ2	11	36	26	35#	45 x 19		N/A
LN026070045	NCEZ3	26	70	45	230#	82 x 38		N/A
LN035045035	NCEZ3000	35	45	35	235#	57 x 47	GG046055005	GP3000
LN044053044	NCEZ4000	44	53	44	300#	65 x 56	GG055063005	GP4000
LN052061050	NCEZ5000	52	61	50	440#	74 x 64	GG063074005	GP5000

OPTIONS:					
OPTION	TYPE	SIZE	PHASE	VOLTAGE	QUANTITY
COLOR					
VENT(S)					
EXHAUST					
ALARM					
ALARM					
HEAT					
OTHER					

MEMBERS OF:



Job Name _____ Contractor _____
 Job Location _____ Approval _____ Date _____
 Engineer _____ Contractor's P.O. No. _____
 Approval _____ Date: _____ Representative _____



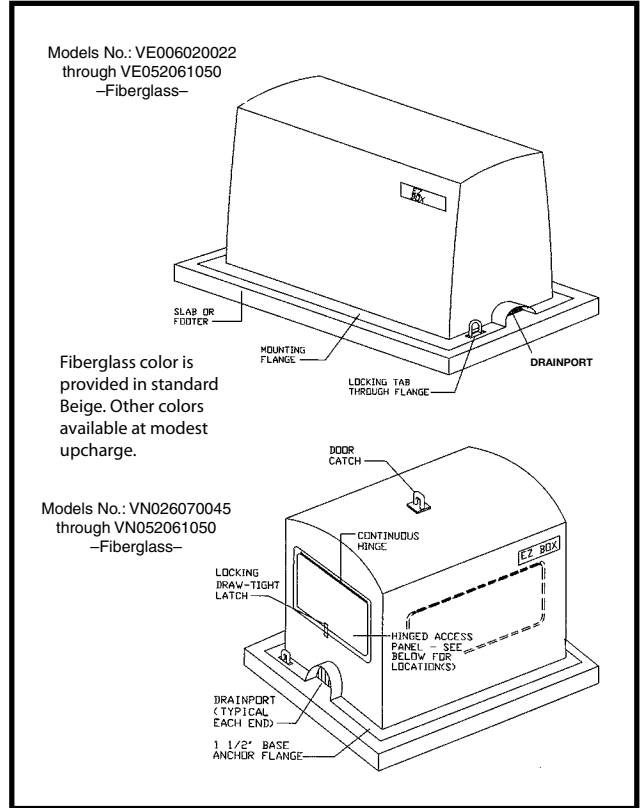
ONE PIECE, DROP OVER, NO HEAT/NO INSULATION ENCLOSURES:

SPECIFICATION:

The enclosure, certified to ASSE 1060*, shall be of min. 1/8" tk. thixotropic polyester resin reinforced w/fiberglass strand. Exterior will be a smooth, yacht quality; finished w/UV inhibited isophthalic polyester gel coat, buffed to a smooth finish. Polyethylene enclosures shall consist of 1/8" tk. UV stabilized LMDPE low density hexene copolymer resin. Enclosure shall utilize a lockable drop over design.

Optional locking access panels are available for maintenance access w/o removal of the entire unit. Drains shall be sized for full port backflow discharge and designed for "one way" exit, inhibiting intrusion of debris and/or vermin. Enclosure shall be anchored to a concrete slab or GLASSPAD™ through the enclosure mounting flange w/steel anchors and require a padlock(s) for security purposes.

* Model's # VE026070045 through # VE052061050 without doors are not ASSE 1060 certified.



EZ Box w/Heat	Ov'd EZ Box w/Heat	Inside Width	Inside Vength	Inside Height	Shipping Weight	Pad Size	GVASS PAD	Ov'd GVASS PAD
VE006020022	VGEZ.75	8.5	22	23	16#	32 x 16	GG026041005	GPEZ1
VE014027026	VGEZ1	16	29	27	31#	41 x 27	GG026041005	GPEZ1
VE012038028	VGEZ2	14	40.5	29	44#	52 x 26		N/A
VE026070045	VGEZ3	29	73	46	215#	82 x 38		N/A
VE035045035	VGEZ3000	38	48	36	175#	57 x 47	GG046055005	GP3000
VE044053044	VGEZ4000	47	56	45	240#	65 x 56	GG055063005	GP4000
VE052061050	VGEZ5000	55	65	51	400#	74 x 64	GG063074005	GP5000
VE012017021500	VGEZLV.75	14	19	22.5	25#	29 x 24		N/A
VE014021024500	VGEZLV1	16	23	25	28#	33 x 26		N/A
VE012017021	VGEZLV.75X	14	19	22.5	18#	29 x 24		N/A
VE014021024	VGEZLV1X	16	23	25	21#	33 x 26		N/A
VP009024023	VGPEZ1	11	26	24	22#	34 x 17		N/A
VP011036026	VGPEZ2	13	38	27	35#	45 x 19		N/A
VN026070045	VGNCEZ3	29	73	46	230#	82 x 38		N/A
VN035045035	VGNCEZ3000	38	48	36	235#	57 x 47	GG046055005	GP3000
VN044053044	VGNCEZ4000	47	56	45	300#	65 x 56	GG055063005	GP4000
VN052061050	VGNCEZ5000	55	64	51	440#	74 x 64	GG063074005	GP5000

OPTIONS:					
OPTION	TYPE	SIZE	PHASE	VOLTAGE	QUANTITY
COLOR					
VENT(S)					
EXHAUST					
ALARM					
ALARM					
HEAT					
OTHER					



Job Name _____ Contractor _____
 Job Location _____ Approval _____ Date _____
 Engineer _____ Contractor's P.O. No. _____
 Approval _____ Date: _____ Representative _____