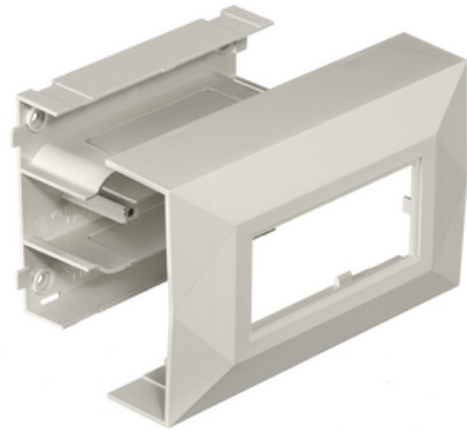




Non-Metallic Raceway, BaseTrak Series, 1- Gang Inline Device Box

By Hubbell Premise Wiring
Catalog # [PB3IND](#)



Non-Metallic Raceway, BaseTrak Series, 1-Gang Inline Device Box

Features

- Reduces inventory requirements
- Eliminates need to order three separate boxes
- Boxes available in low, standard and deep profiles

General

Color	<ul style="list-style-type: none"> • Office White • Blanc cassé
EU RoHS Indicator	Contact Manufacturer
Item Type	PB3 BaseTrak Series
Number of Gang(s)	1-Gang
Performance	<ul style="list-style-type: none"> • Environmental - Flame Rating - UL94V-0 • Environmental - Temperature Range - -25.6° to 158° F
Series	PB3
Style	In-Line
Type	<ul style="list-style-type: none"> • Boxes • Boxes
UPC	783585090863

Certifications and Compliance

Industry Standard(s)	<ul style="list-style-type: none"> • CSA Standard C22.2 no. 62 • E118895 / E119190 • UL Standard UL 5A
----------------------	---

Logistics

Carton Quantity	10
-----------------	----

Product Assets

[Catalog Page - PREM S61 Catalog Page](#)
[Catalogs - HPW CATALOG_2023_FULL](#)



A proud member of the Hubbell Family.