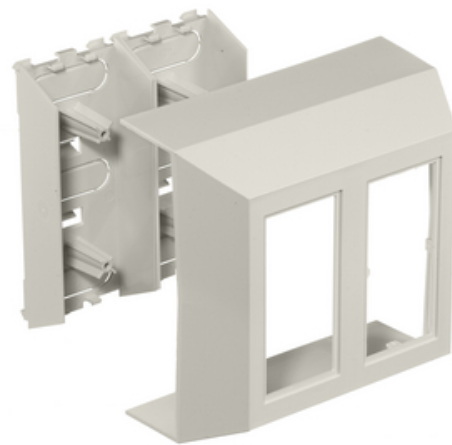




Non-Metallic Raceway, Super BaseTrak, Full Capacity 2-Gang Box

By Hubbell Premise Wiring
Catalog # [PS3FCIB2G](#)



Non-Metallic Raceway, Super BaseTrak, Full Capacity Double Box

Features

- Reduces inventory requirements
- Eliminates need to order three separate boxes
- Boxes available in low, standard and deep profiles

General

Color	<ul style="list-style-type: none">• Office White• Blanc cassé
EU RoHS Indicator	Contact Manufacturer
Item Type	PS3 Super BaseTrak Series
Number of Gang(s)	2-Gang
Performance	<ul style="list-style-type: none">• Environmental - Flame Rating - UL94V-0• Environmental - Temperature Range - -25.6° to 158° F
Series	PS3
Style	Full Capacity
Type	<ul style="list-style-type: none">• Boxes• Boxes
UPC	783585090016

Certifications and Compliance

Industry Standard(s)	<ul style="list-style-type: none">• CSA Standard C22.2 no. 62• E118895 / E119190• UL Standard UL 5A
----------------------	---

Logistics

Carton Quantity	10
-----------------	----

Product Assets

[Catalog Page - PREM S62 Catalog Page](#)
[Catalogs - HPW CATALOG_2023_FULL](#)



A proud member of the Hubbell Family.

©2023 Hubbell Incorporated. All rights reserved.
PREM-PS3FCIB2G-SPEC-EN | REV 7/2023