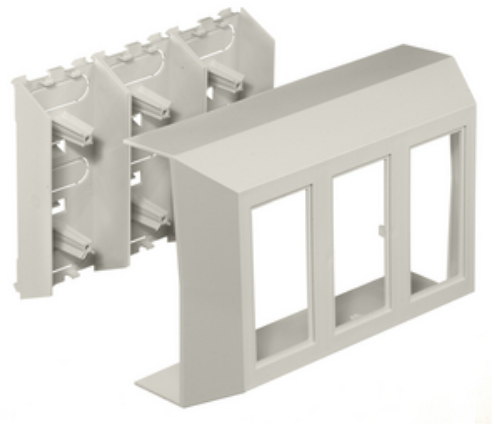




# Non-Metallic Raceway, Super BaseTrak, Full Capacity 3-Gang Box

By Hubbell Premise Wiring  
Catalog # [PS3FCIB3G](#)



Non-Metallic Raceway, Super BaseTrak, Full Capacity 3-Gang Box

## Features

- Reduces inventory requirements
- Eliminates need to order three separate boxes
- Boxes available in low, standard and deep profiles

## General

Color	<ul style="list-style-type: none"> <li>• Office White</li> <li>• Blanc cassé</li> </ul>
EU RoHS Indicator	Contact Manufacturer
Item Type	PS3 Super BaseTrak Series
Number of Gang(s)	3-Gang
Performance	<ul style="list-style-type: none"> <li>• Environmental - Flame Rating - UL94V-0</li> <li>• Environmental - Temperature Range - -25.6° to 158° F</li> </ul>
Series	PS3
Style	Full Capacity
Type	<ul style="list-style-type: none"> <li>• Boxes</li> <li>• Boxes</li> </ul>
UPC	783585090023

## Certifications and Compliance

Industry Standard(s)	<ul style="list-style-type: none"> <li>• CSA Standard C22.2 no. 62</li> <li>• E118895 / E119190</li> <li>• UL Standard UL 5A</li> </ul>
----------------------	---

## Logistics

Carton Quantity	10
-----------------	----

## Product Assets

[Catalog Page - PREM S62 Catalog Page](#)  
[Catalogs - HPW CATALOG\\_2023\\_FULL](#)



A proud member of the Hubbell Family.