

**Floor Boxes**  
**SystemOne Recessed 10 Gang Floor Box Cover**  
**For Use In Raised Access and Wood Floors**

# HUBBELL

**Features**

- 180 degree cover opening to lay flat and reduce tripping hazards
- Two large cable egress doors
- Die cast aluminum cover construction for enhanced durability
- ADA Compliant

**Ordering Information**

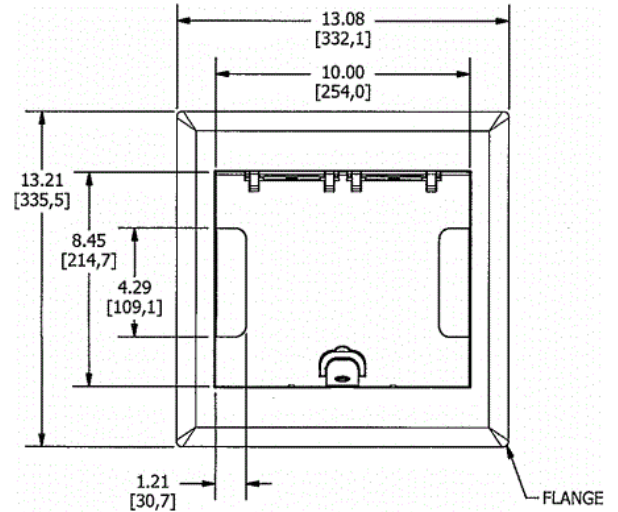
- Compatible with AFB10G55 and AFB10G55CHI
- Rectangular style typical applications: Raised Floors, Wood Floors

Catalog Number	UPC Number	Style	Finish
10GAFBCVREK	783585527567	Raised Access / Wood	Black Powder Coat

Dimensions	Floor Finish Insert
13-1/16 x 13-3/16 in.	No

**Specifications**

Cover Material	Aluminum
Flange height	0.25 in.
Adjustment Range	0 - 1.0 inch
Load Rating	1500 lbs. (w/ 2x safety factor)



**Online Resources**

[eCatalog](#)