

Floor Boxes
SystemOne Recessed 10 Gang Floor Box Cover
For Use In Raised Access and Wood Floors

HUBBELL

Features

- 180 degree cover opening to lay flat and reduce tripping hazards
- Two large cable egress doors
- Die cast aluminum cover construction for enhanced durability
- ADA Compliant

Ordering Information

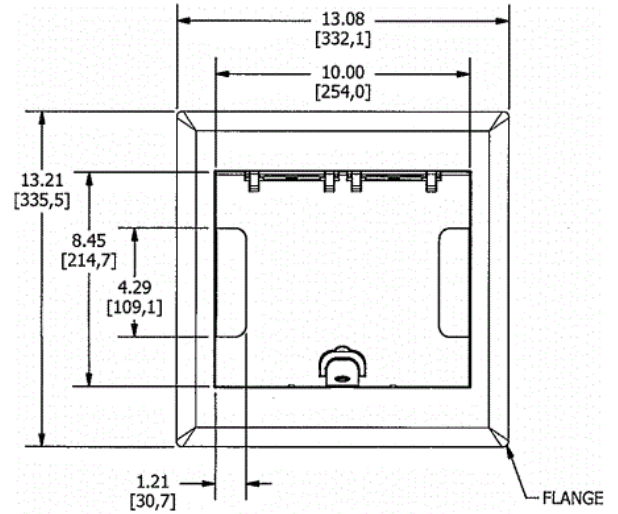
- Compatible with AFB10G55 and AFB10G55CHI
- Rectangular style typical applications: Raised Floors, Wood Floors

Catalog Number	UPC Number	Style	Finish
10GAFBCVRBRS	783585527604	Raised Access / Wood	Brass Powder Coat

Dimensions	Floor Finish Insert
13-1/16 x 13-3/16 in.	No

Specifications

Cover Material	Aluminum
Flange height	0.25 in.
Adjustment Range	0 - 1.0 inch
Load Rating	1500 lbs. (w/ 2x safety factor)



Online Resources

eCatalog