

**Floor Boxes**  
**SystemOne Recessed 2 Gang Floor Box Cover**  
**For Use In Raised Access and Wood Floors**

# HUBBELL

**Features**

- 180 degree cover opening to lay flat and reduce tripping hazards
- Two large cable egress doors
- Die cast aluminum cover construction for enhanced durability
- ADA Compliant

**Ordering Information**

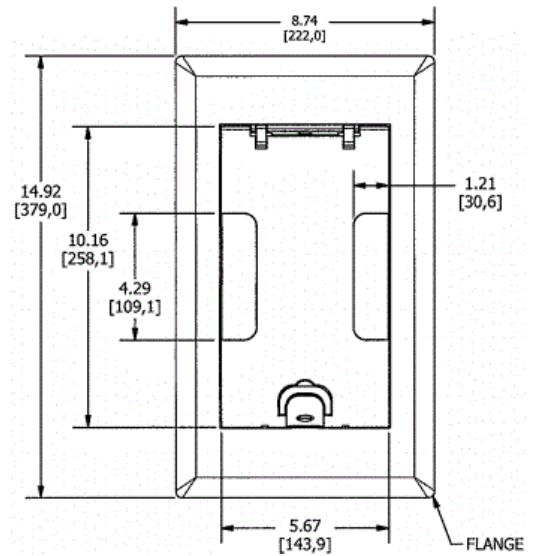
- Compatible with AFB2G25 and AFB2G50
- Rectangular style typical applications: Raised Floors, Wood Floors

Catalog Number	UPC Number	Style	Finish
2GAFBCVRLU	783585526898	Raised Access / Wood	Aluminum Powder Coat

Dimensions	Floor Finish Insert
8-3/4 x 14-15/16 in.	No

**Specifications**

Cover Material	Aluminum
Flange height	0.25 in.
Adjustment Range	0 - 1.0 inch
Load Rating	800 lbs. (w/ 2x safety factor)



**Online Resources**

[eCatalog](#)