

Floor Boxes
SystemOne Recessed 2 Gang Furniture Feed
Floor Box Cover

HUBBELL

For Use In Raised Access and Wood Floors

Features

- 180 degree cover opening to lay flat and reduce tripping hazards
- Two large cable egress doors
- Die cast aluminum cover construction for enhanced durability
- ADA Compliant

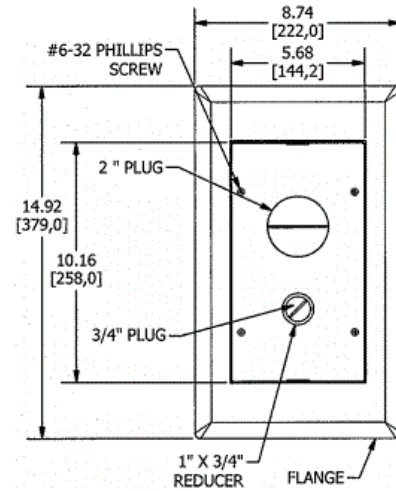
Ordering Information

- Compatible with AFB2G25 and AFB2G50
- Flush style typical applications: Tile, Finished Concrete, Terrazo

Catalog Number	UPC Number	Style	Finish
2GAFBFFCVRBRS	783585446493	Raised Access / Wood	Brass Powder Coat
Dimensions	Floor Finish Insert		
8-3/4 x 14-15/16 in.	No		

Specifications

Cover Material	Aluminum
Flange height	0.25 in.
Adjustment Range	0 - 1.0 inch
Load Rating	800 lbs. (w/ 2x safety factor)
Power Opening	1 in.
Low Voltage Opening	2 in.



Online Resources

eCatalog