

# Floor Boxes

## SystemOne Recessed 4 Gang Floor Box Cover

### For Use In Raised Access and Wood Floors

# HUBBELL

#### Features

- 180 degree cover opening to lay flat and reduce tripping hazards
- Two large cable egress doors
- Die cast aluminum cover construction for enhanced durability
- ADA Compliant

#### Ordering Information

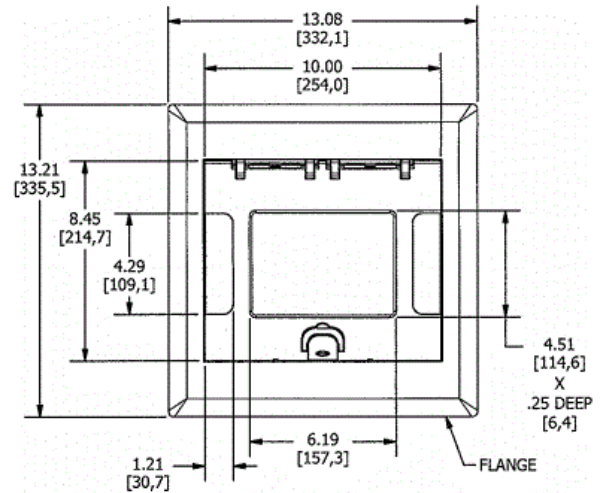
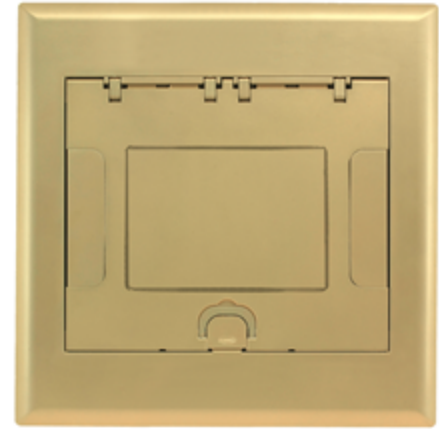
- Compatible with AFB4G25 and AFB4G50
- Rectangular style typical applications: Raised Floors, Wood Floors

Catalog Number	UPC Number	Style	Finish
4GAFBCVRBRSC	783585527079	Raised Access / Wood	Brass Powder Coat

Dimensions	Floor Finish Insert
13-1/16 x 13-3/16 in.	Yes - 6-1/8 x 4-1/2 in.

#### Specifications

Cover Material	Aluminum
Flange height	0.25 in.
Adjustment Range	0 - 1.0 inch
Load Rating	1500 lbs. (w/ 2x safety factor)



#### Online Resources

[eCatalog](#)