

**Floor Boxes**  
**SystemOne Recessed 4 Gang Floor Box Cover**  
**For Use In Raised Access and Wood Floors**

# HUBBELL

**Features**

- 180 degree cover opening to lay flat and reduce tripping hazards
- Two large cable egress doors
- Die cast aluminum cover construction for enhanced durability
- ADA Compliant

**Ordering Information**

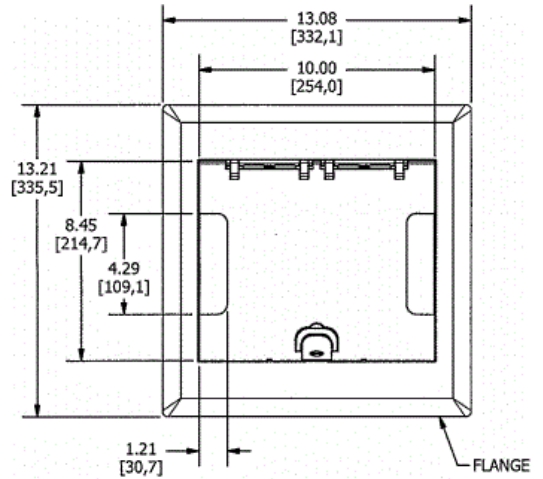
- Compatible with AFB4G25 and AFB4G50
- Rectangular style typical applications: Raised Floors, Wood Floors

| Catalog Number | UPC Number   | Style                | Finish                     |
|----------------|--------------|----------------------|----------------------------|
| 4GAFBCVRBRZ    | 783585446660 | Raised Access / Wood | Antique Bronze Powder Coat |

| Dimensions            | Floor Finish Insert |
|-----------------------|---------------------|
| 13-1/16 x 13-3/16 in. | No                  |

**Specifications**

|                  |                                 |
|------------------|---------------------------------|
| Cover Material   | Aluminum                        |
| Flange height    | 0.25 in.                        |
| Adjustment Range | 0 - 1.0 inch                    |
| Load Rating      | 1500 lbs. (w/ 2x safety factor) |



**Online Resources**

eCatalog