

**Floor Boxes**  
**SystemOne Recessed 6 and 10 Gang Floor Box**  
**Cover**

# HUBBELL

**For Use In Concrete Floors**

**Features**

- 180 degree cover opening to lay flat and reduce tripping hazards
- Two large cable egress doors
- Die cast aluminum cover construction for enhanced durability
- Up to 1 in. of upward post pour adjustment
- ADA Compliant

**Ordering Information**

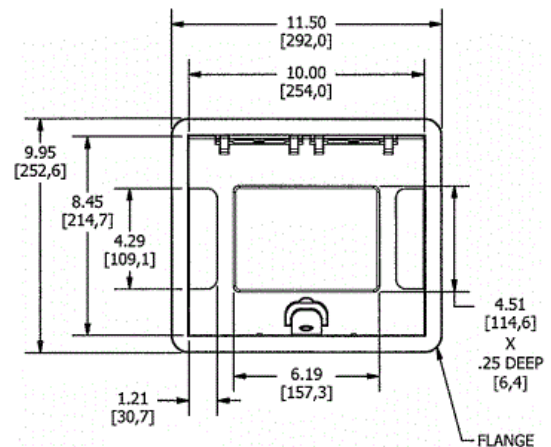
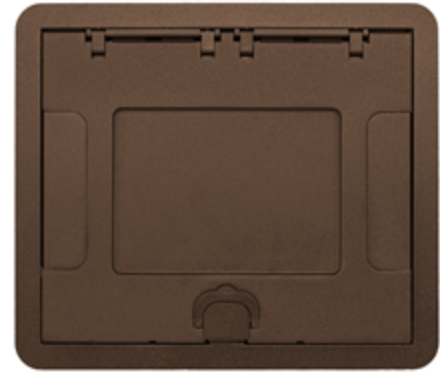
- Compatible with CFB6G30, CFB6G30CR, CFB10G55 and CFB10G55CR
- Surface style typical applications: Carpet, VCT

<b>Catalog Number</b> 610GCCVRBRZC	<b>UPC Number</b> 783585527291	<b>Style</b> Surface	<b>Finish</b> Antique Bronze Powder Coat
---------------------------------------	-----------------------------------	-------------------------	---

<b>Dimensions</b> 11-1/2 x 10 in.	<b>Floor Finish Insert</b> Yes - 6-1/8 x 4-1/2 in.
--------------------------------------	---

**Specifications**

Cover Material	Aluminum
Flange height	0.13 in.
Adjustment Range	0 - 1.0 inch
Load Rating	1500 lbs. (w/ 2x safety factor)



**Online Resources**

eCatalog