

Floor Boxes
SystemOne Recessed 6 and 10 Gang Floor Box
Cover

HUBBELL

For Use In Concrete Floors

Features

- 180 degree cover opening to lay flat and reduce tripping hazards
- Two large cable egress doors
- Die cast aluminum cover construction for enhanced durability
- Up to 1 in. of upward post pour adjustment
- ADA Compliant

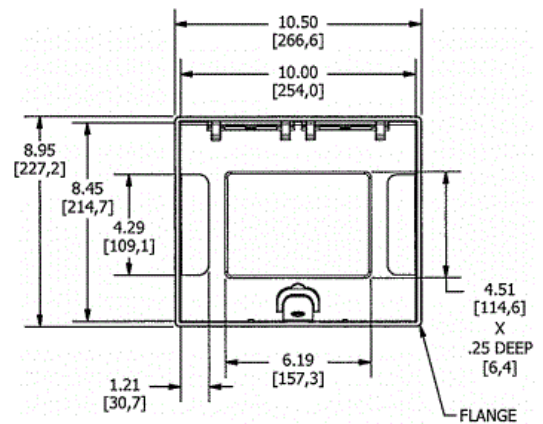
Ordering Information

- Compatible with CFB6G30, CFB6G30CR, CFB10G55 and CFB10G55CR
- Flush style typical applications: Tile, Finished Concrete, Terrazo

| | | | |
|---------------------------------------|---|-----------------------|---|
| Catalog Number 610GTCVRBRZC | UPC Number 783585527246 | Style Flush | Finish Antique Bronze Powder Coat |
| Dimensions 10-1/2 x 9 in. | Floor Finish Insert Yes - 6-1/8 x 4-1/2 in. | | |

Specifications

| | |
|------------------|---------------------------------|
| Cover Material | Aluminum |
| Flange height | 0.0 in. |
| Adjustment Range | 0 - 1.0 inch |
| Load Rating | 1500 lbs. (w/ 2x safety factor) |



Online Resources

[eCatalog](#)