

NEXTSPEED

6-110 Connecting Block System

Factory Terminated Patch Cord

Features

- Plug Housing Includes Built-In Polarization to Ensure Proper Mating Connection to Connecting Blocks
- Angled Conductor Towers Separate Paired Conductors and makes Pair Splitting and Conductor Lacing Simple
- Cable Ties Secure Cable to Cover for Easy Termination and Strain Relief



Ordering Information

Description	Color	Catalog Number	UPC
NEXTSPEED Factory Terminated Patch Cord, 6-110 to RJ45 (T568B), 7 Feet	Yellow	6119PCL7	662620835945

Listings

Exceeds TIA/EIA-568-C.2-1 Category 6 connecting hardware specifications
100% factory tested to meet ANSI/TIA/EIA Category 6 and 5E connecting hardware specifications

Specifications

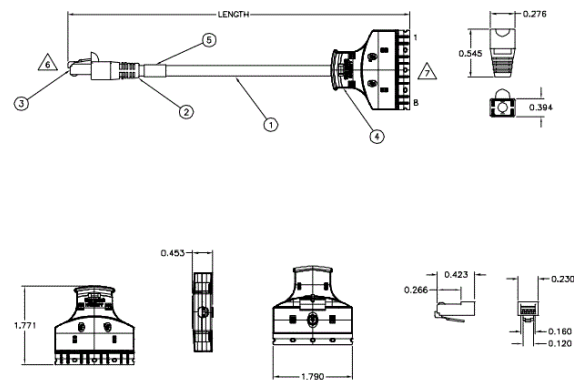
Material	Polycarbonate UL 94V-0
----------	------------------------

Performance

Electrical

Terminates 24 to 26 AWG solid or 7-strand twisted-pair cable

HUBBELL



Accessories

Field Terminated Patch Plug	6110FPP4PR
Connecting Block 6-110/4-Pair	6110CB4PR16
Field Termination Kit with Standoff Legs	6110FTK64WL

Online Resources

eCatalog