

Cable

UTP Cables

NEXTSPEED®Ascent Category 10GbE Cable

HUBBELL

Features

- 10GbE Application Assurance
- Maximum Bandwidth Beyond 750MHz
- Component Compliant ANEXT Performance
- PoE and PoE+ Ready

Ordering Information

Description	Color	Catalog Number	UPC Number
NEXTSPEED®Ascent 10GbE, 4-Pair, UTP Cable, Riser Spool	Blue	C6ASRB	662620201979

Listings

TIA-568-C.2 (Category 6A Component)
 NEC Article 800 Compliant
 UL Listed and Tested

Specifications

Wire	23 AWG Bare Solid Copper
Primary Insulation	CMP: FEP
Primary Insulation	CMR: Polyolefin
Cabling	4 Unshielded Twisted Pairs
Outer Jacket	Low Smoke PVC
Inner Jacket	PVC

Performance

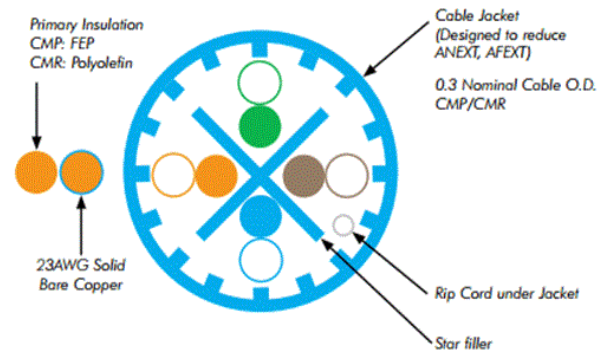
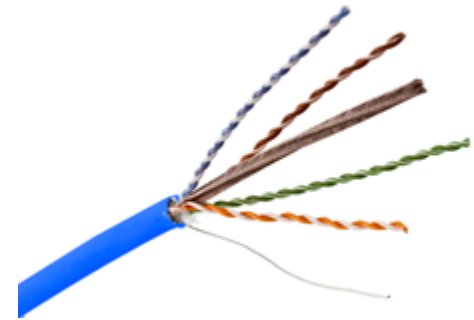
Verifications	IEEE 802.3af (PoE), IEEE 802.3at (PoE+), and IEEE 802.3bt (4PPPoE) Exceeds IEEE 802.3an 10GBASE-T Link Segment Requirements
---------------	--

Applications

Data Centers 10GbE Between Devices
 High-Performance Cable Applications
 PoE Applications

Accessories

NEXTSPEED Ascent 10GbE Jacks	HJ6AB
NEXTSPEED Ascent 10GbE Patch Panels	HP6App (pp=Ports)
NEXTSPEED Ascent 10GbE Patch Cords	HC6AByy (yy=Standard Length)



TRANSMISSION SPECIFICATIONS, Worst Case 100 meter Channel Configuration

TIA-568-B.2-10 Category 6A Compliant

ISO/IEC 11801, 2nd Ed. Category 6A Compliant

Freq. (MHz)	Insertion Loss (dB/100m)	NEXT Loss Min. (dB/100m)	PSNEXT Loss Min. (dB/100m)	ELFEXT Min. (dB/100m)	PSELFEXT Min. (dB/100m)	Return Loss Min. (dB/100m)	Delay Max. (ns/100m)
0.772	-	84.0	82.0	78.0	75.0	-	-
1.0	2.0	82.3	80.3	75.8	72.8	20.0	570
4.0	3.7	73.3	71.3	63.8	60.8	23.0	552
8.0	5.2	68.8	66.8	57.7	54.7	24.5	547
10.0	5.8	67.3	65.3	55.8	52.8	25.0	545
16.0	7.3	64.2	62.2	51.7	48.7	25.0	543
20.0	8.2	62.8	60.8	49.8	46.8	25.0	542
25.0	9.2	61.3	59.3	47.8	44.8	24.3	541
31.25	10.4	59.9	57.9	45.9	42.9	23.6	540
62.5	14.9	55.4	53.4	39.9	36.9	21.5	539
100.0	19.2	52.3	50.3	35.8	32.8	20.1	538
200.0	28.1	47.8	45.8	29.8	26.8	18.0	537
300.0	35.3	45.1	43.1	26.3	23.3	16.8	536
400.0	41.7	43.3	41.3	23.8	20.8	15.9	536
500.0	47.5	41.8	39.8	21.8	18.8	15.2	536

