

**Grounding & Bonding**  
**Bus Bar**  
**Wall Mounted**

# HUBBELL

**Features**

- Telecommunications Bonding Bus bars offer a convenient and organized bonding surface for collecting stray electrical currents
- Mounting holes are predrilled or tapped for matching with lugs



**Ordering Information**

Style	Mounting	Catalog Number	UPC
TGB	Surface Mount TR	HBBB14212	662620619552

**Listings**

UL  
TIA-607 Compliant

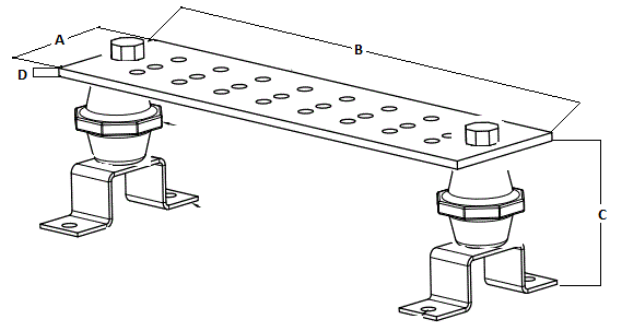
**Specifications**

Material	Copper
Finish	Copper
Insulator	600V

**Characteristics**

**Installation**

D-Lug Mount Quantity 8



**Accessories**

12' Conductor	HGRKTD144D
20' Conductor	HGRKTX240D
30' Conductor	HGRKTX360D
Ladder Bracket	HGBTEBCBRKL10
Wire Tray Bracket	HGBTEBCBRKW10

**Dimensions- inches (mm)**

A	2"
B	12"
C	2"
D	0.25"

**Online Resources**

Brochure  
Customer Drawing  
eCatalog