

Grounding & Bonding Bus Bar Wall Mounted

HUBBELL

Features

- Telecommunications Bonding Bus bars offer a convenient and organized bonding surface for collecting stray electrical currents
- Mounting holes are predrilled or tapped for matching with lugs



Ordering Information

Style	Mounting	Catalog Number	UPC Number
TGB	Surface Mount TR	HBBB14224B	662620303680

Listings

UL
TIA-607 Compliant

Specifications

Material	Copper
Finish	Copper
Insulator	600V

Characteristics

Installation

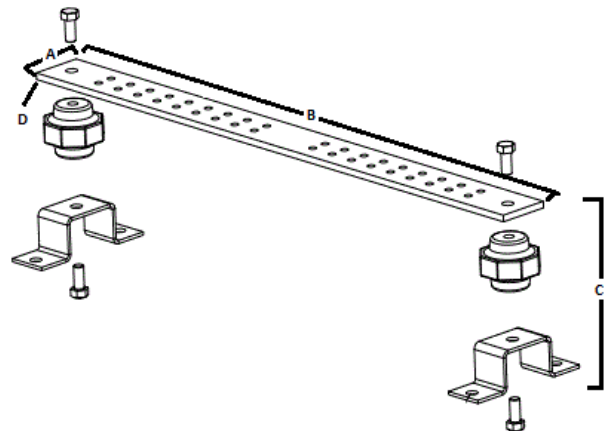
D-Lug Mount Quantity	9
DA-Lug Mount Qty	9

Accessories

12' Conductor	HGRKTD144D
20' Conductor	HGRKTX240D
30' Conductor	HGRKTX360D
Ladder Bracket	HGBTEBCBRKL10
Wire Tray Bracket	HGBTEBCBRKW10

Online Resources

Brochure
Customer Drawing
Customer Use Drawing
Customer Use Drawing
eCatalog



Dimensions- inches (mm)

A	2" (51)
B	24" (610)
C	3.75" (95)
D	0.25" (6)